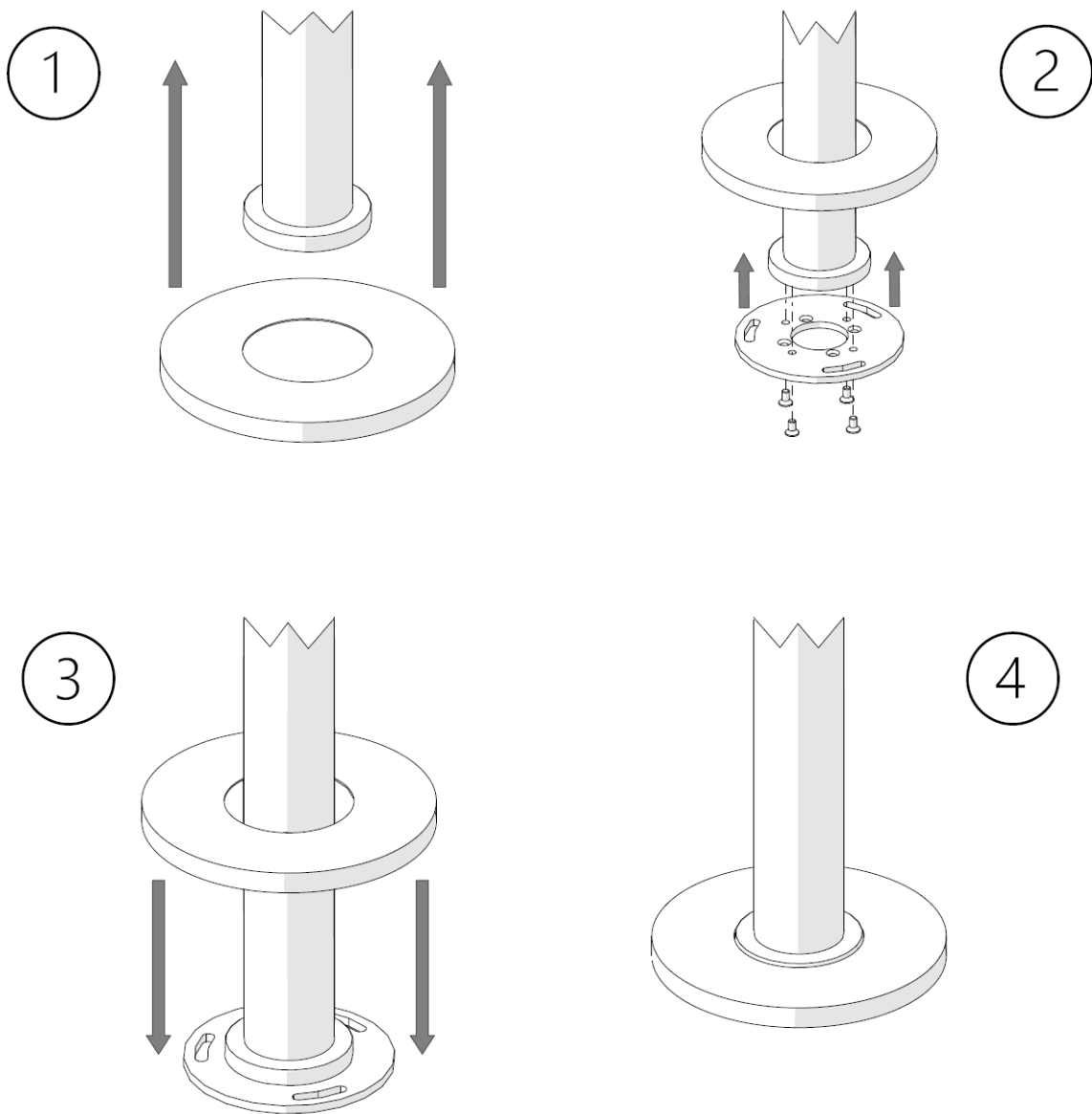


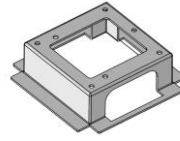
Installation Instructions



Base Plate Assembly

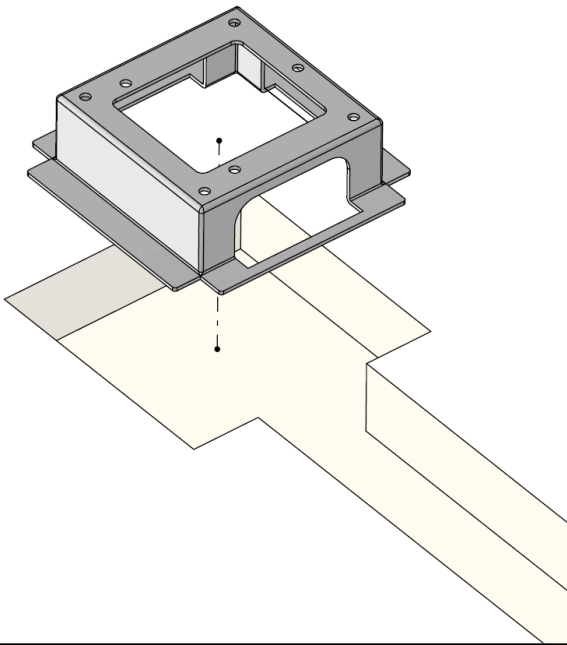


Installation with Counterplate

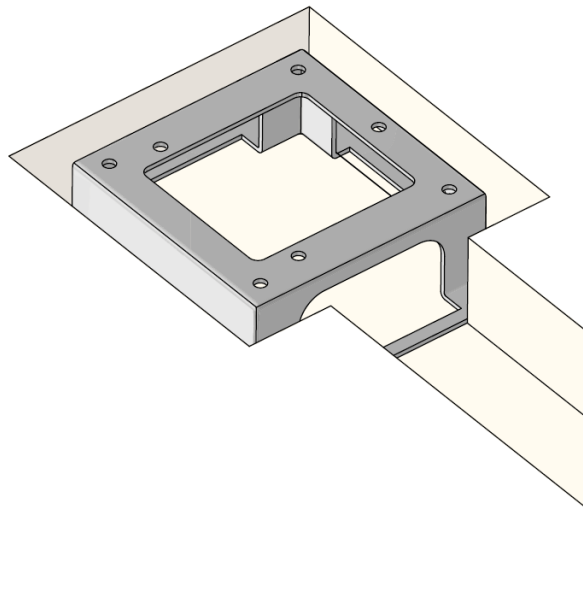


**NOT INCLUDED**  
Order Separately  
SKU: 01-11-014

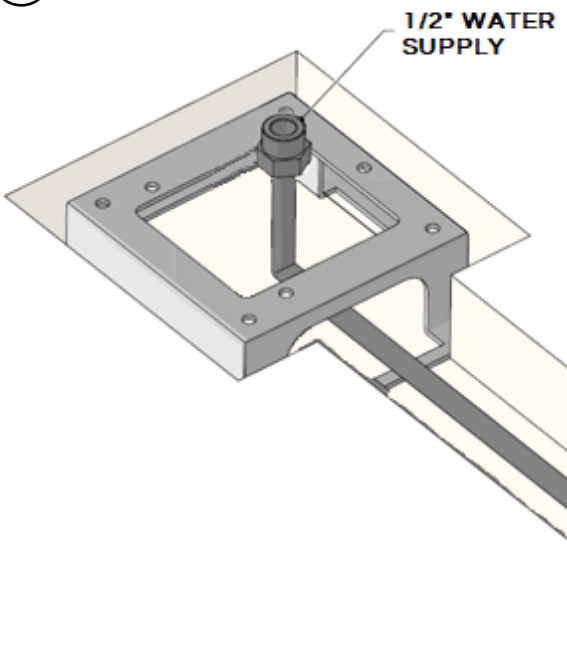
①



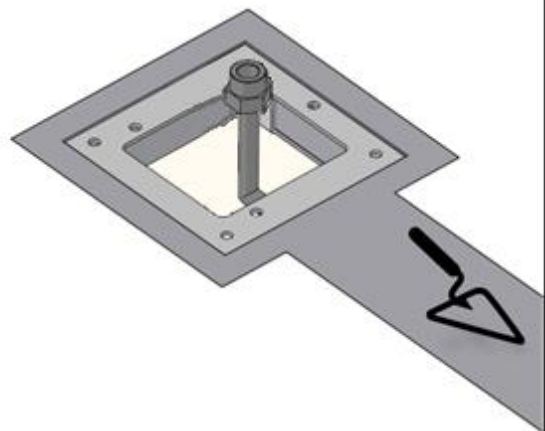
②



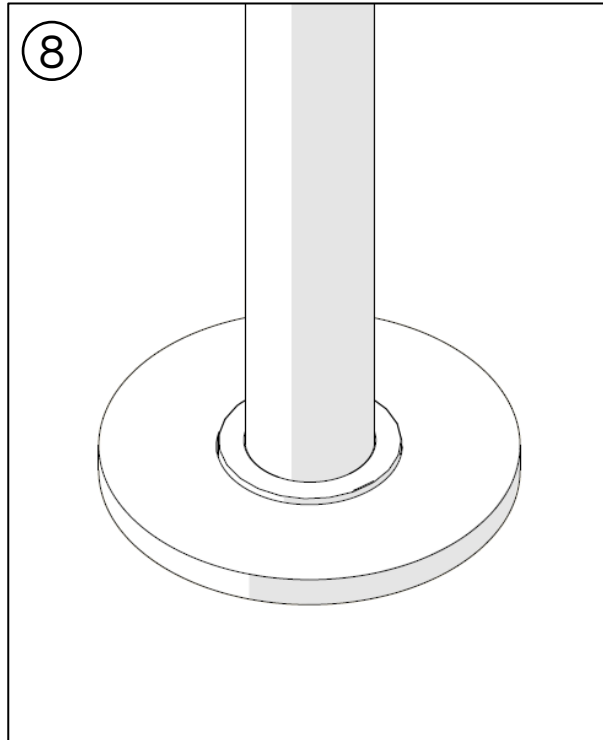
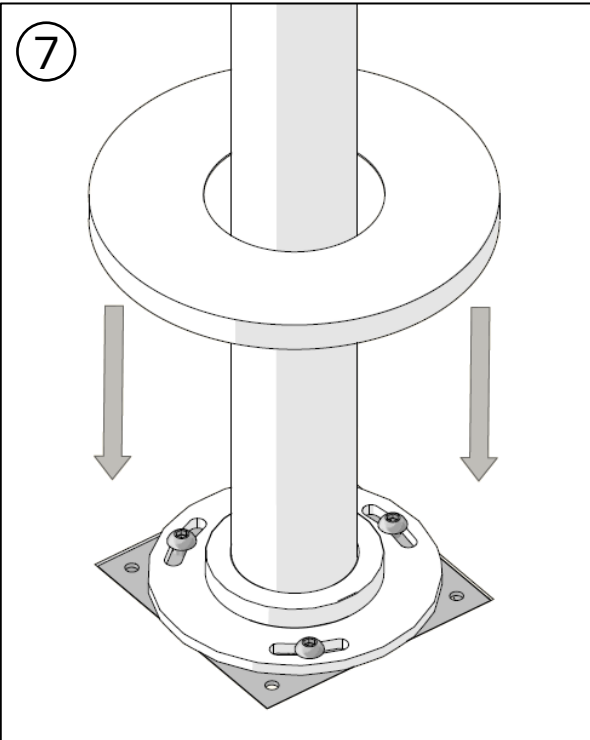
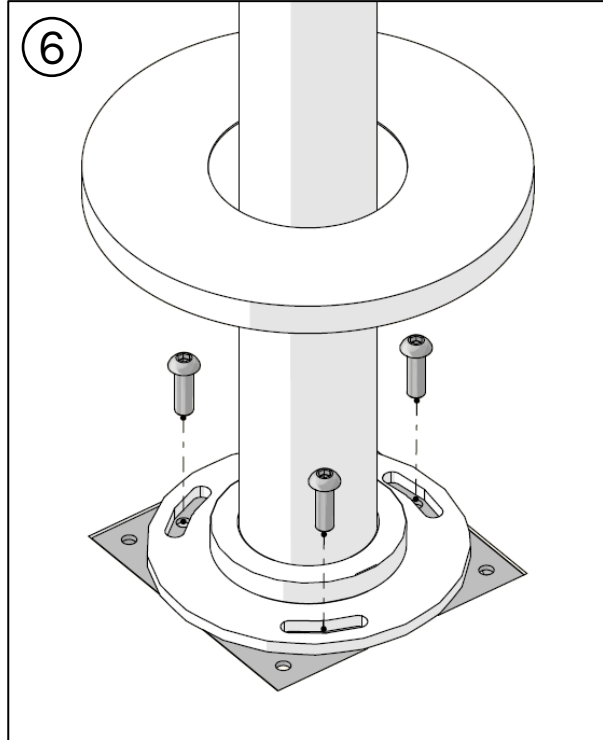
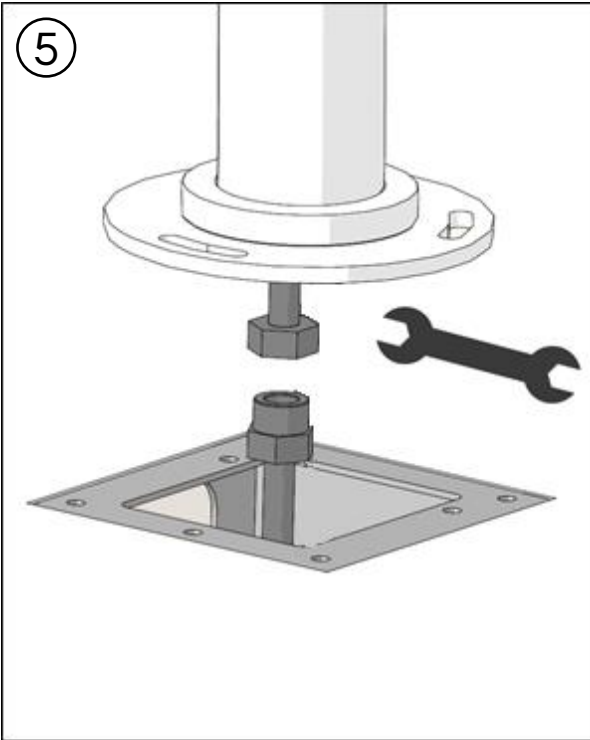
③



④



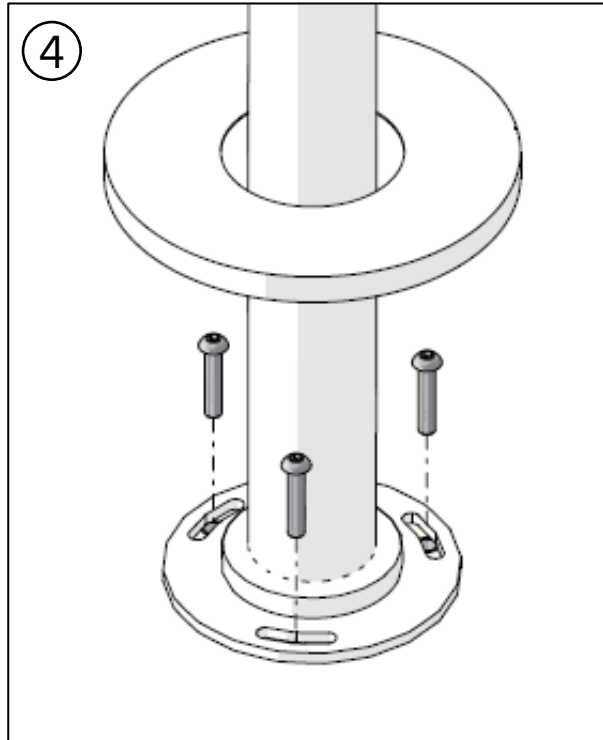
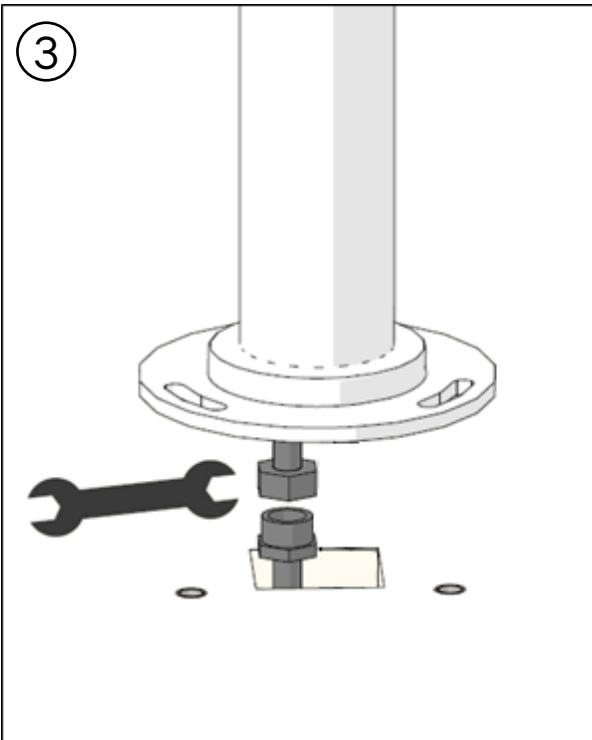
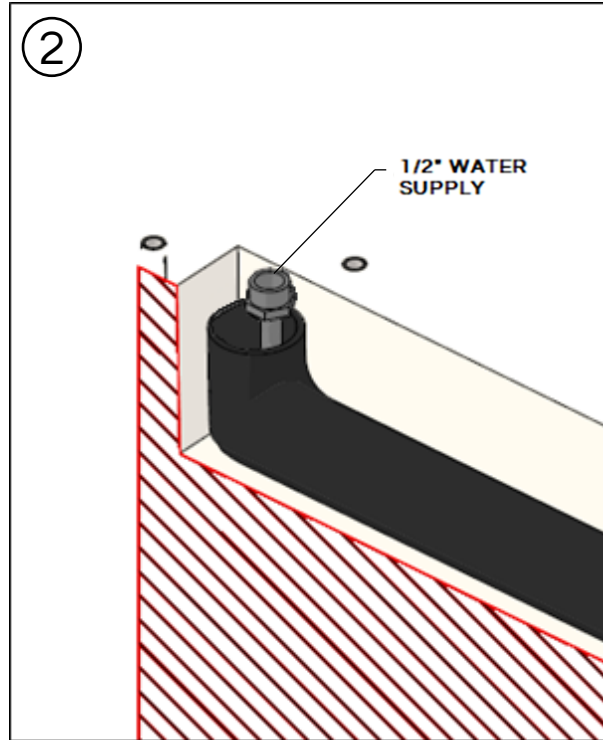
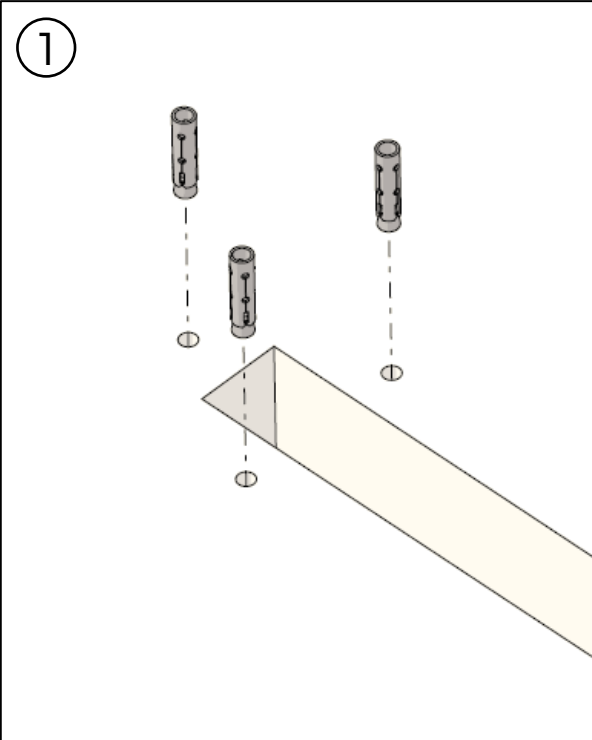
Installation with Counterplate *continued*



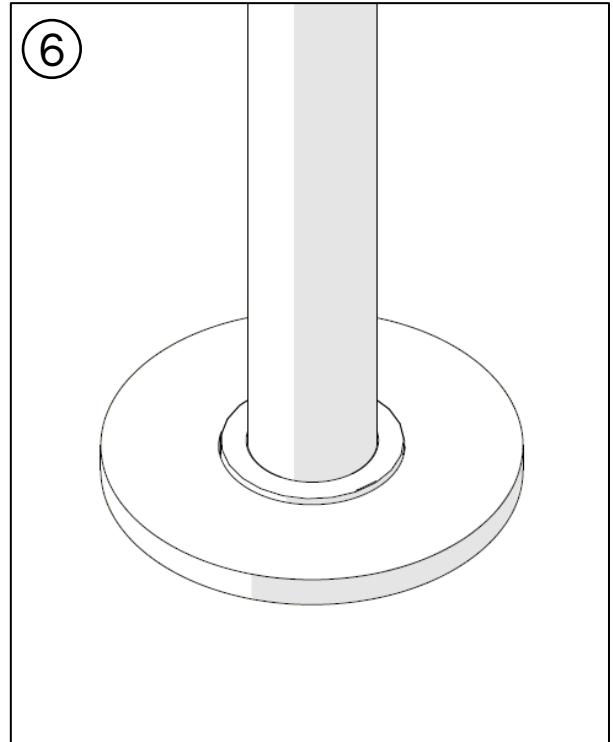
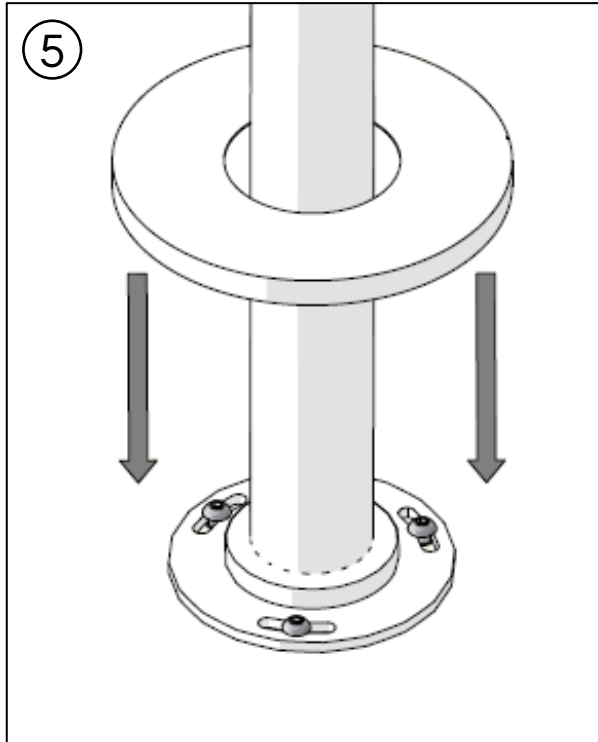
Direct Installation

**FASTENERS NOT INCLUDED**

To be determined by installer,  
depending on floor substrate.



Direct Installation *continued*



**CLEANING**

For routine cleaning, use a damp cloth with soap, rinse, and dry. Limescale spots can be avoided by drying after each use. Never use abrasive detergents or disinfectants containing alcohol, hydrochloric acid, or phosphoric acid. All shower heads are equipped with silicone nozzles. In order to prevent limescale buildup from clogging the shower head, periodically rub the silicone nozzles to free them of the limescale deposits.

**WINTERIZATION**

We recommend disassembling the shower unit during the winter and placing it indoors. Exposure to extreme frost may cause functional problems. If disassembly is not an option, we suggest to (1) fully drain the shower unit and supply lines, (2) remove the cartridge(s) and shower head, and (3) cover the shower.