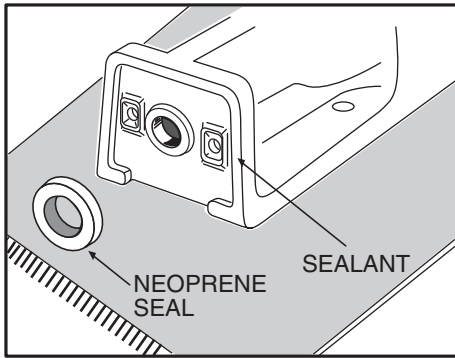




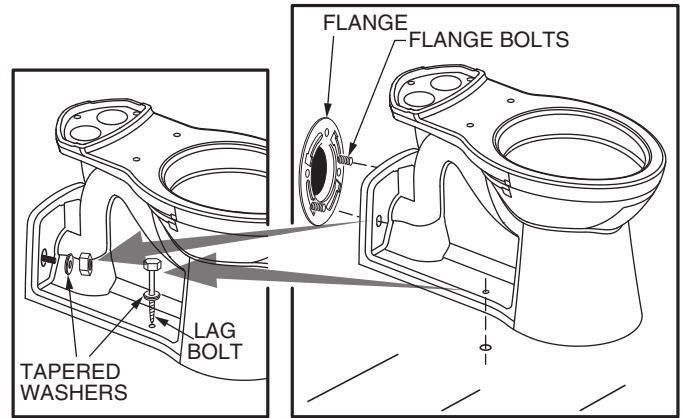
**3****INSTALL NEOPRENE OR GRAPHITE FELT SEAL\***

Install seal evenly around waste flange (horn).  
Apply a thin bead of sealant around base flange.

\* **Note:** Wax seal not recommended for this application.

**4****INSTALL TOILET ON FLANGE**

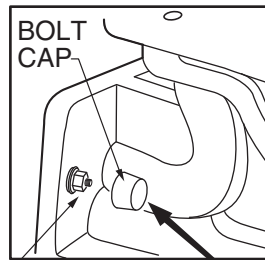
- Unplug waste opening and install toilet on closet flange so bolts project through mounting holes.
- Loosely install retainer washers and nuts. Side of washers marked "THIS SIDE UP" *must* face up!

**5****INSTALL TOILET**

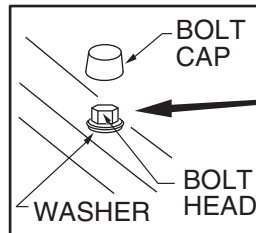
- Position toilet squarely to wall and, with a rocking motion, push bowl against ring and flange. Alternately tighten nuts until toilet is firmly anchored.

**⚠ CAUTION:** DO NOT OVERTIGHTEN NUTS OR BASE MAY BE DAMAGED!

- Insert the tapered washers (supplied in the kit) into the lag bolts (not supplied). Insert bolts through mounting holes and tighten into pre-drilled floor openings.
- Install the four bolt caps on tapered washers. (If necessary, cut wall bolt length to size before installing caps.)
- Smooth off the bead of sealant around base. Remove excess sealant.



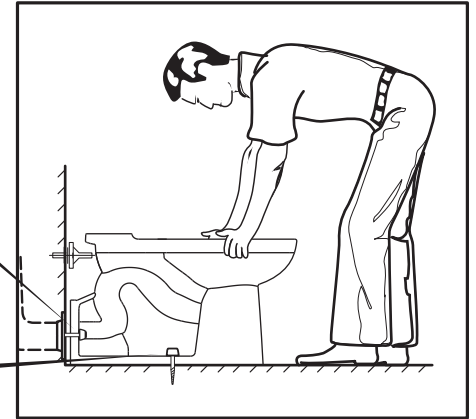
NUT & WASHER



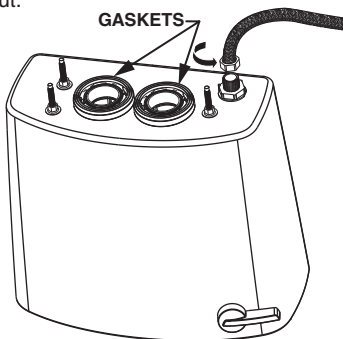
BOLT CAP

WASHER

BOLT HEAD

**6**

Connect water supply line.  
(Sold separately)  
Hand tighten nut.



Confirm gaskets are fully seated on tank.

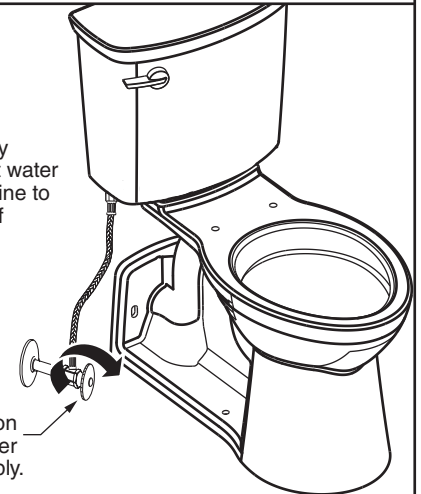
**7**

Carefully place tank over bowl then tighten handles alternately until the tank contacts the front and back of bowl achieving china-to-china contact.

**8**

Securely connect water supply line to Shut Off Valve.

Turn on water supply.



**⚠ WARNING:** Overtightening of water supply line nuts could result in breakage and potential flooding. If the connection leaks after hand tightening, replace the supply line. Do not use any type of sealant on the water supply connection. Use of plumber's putty, pipe dope, or any other type of sealant will void the warranty.

**⚠ WARNING:** Do not use plumber's putty, pipe dope, or any other sealant on the water supply connection to this tank. If the connection leaks after hand tightening, replace the supply line. If the connection continues to leak with the new supply line, replace the fill valve. **Warranty is void if any type of sealant is used on the water supply connection.**

Water Level Adjustment Knob

Trip Lever Rod

Overflow Tube

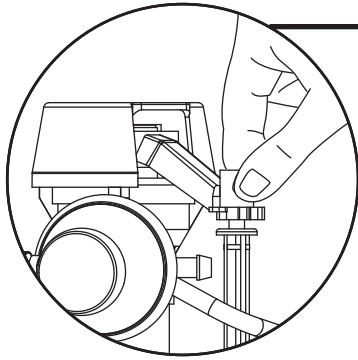
Approximate  
Water Level

Float Cup

Adjustable Screw

Fill Valve  
Or Water  
Control

Water Supply Line



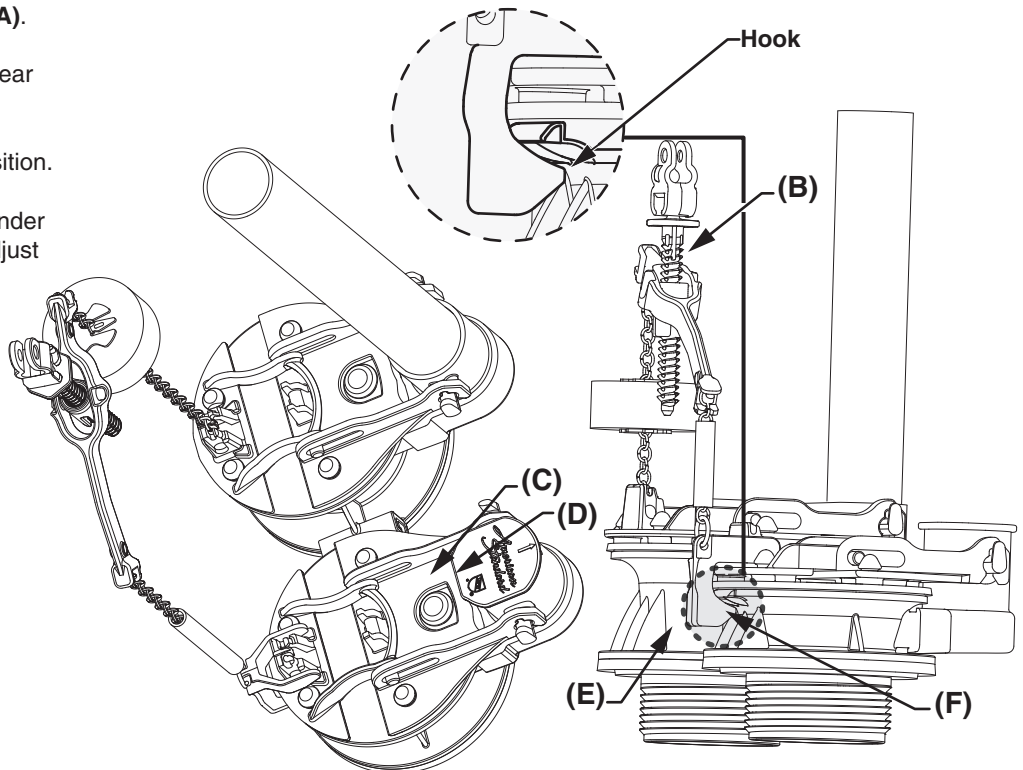
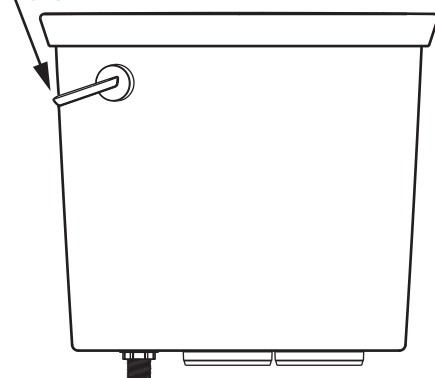
- A** Adjust water level to level indicated on tank by turning water level adjustment knob to move float cup up or down.

- B** Prime the system by flushing the product 5 times before use to achieve optimal performance.

- C** **PROPER FLUSHING METHOD:**  
Be sure to fully depress the trip lever on each flush. Do not hold the trip lever down for extended periods of time as this could allow air to enter the system which will slightly degrade performance for a few flushes.

## 10 VERIFY ADJUSTABLE SCREW SETUP

1. Depress trip lever handle all the way **(A)**.
2. Adjust screw on the teeter bar **(B)** so rear frame **(C)** touches the frame stop **(D)**.
3. Return trip lever handle **(A)** to rest position.
4. Make sure hook **(E)** is fully engaged under tab on valve body **(F)**, if not, slightly adjust screw to make sure hook is engaged.

**(A)**

**IMPORTANT:** American Standard does not recommend that the tank components be switched out with anything other than the furnished specified components as the performance could be affected. Any alterations made using anything other than the specified components could negatively impact the flush performance and will void the warranty.

## CARE AND CLEANING

When cleaning your toilet, wash it with mild, soapy water, rinse thoroughly with clear water and dry with a soft cloth.

**WARNING:** Do not use in-tank cleaners. These products can seriously corrode fittings in the tank. This damage can cause leakage and property damage. American Standard shall not be responsible or liable for any damage caused by the use of in-tank cleaners.

## TROUBLESHOOTING GUIDE - See Step 9-10 For Diagram

Problem	Possible Cause	Corrective Action
Does not flush	<ul style="list-style-type: none"> <li>a. Water supply valve closed.</li> <li>b. Supply line blocked.</li> <li>c. Flush valve chain too loose or disconnected.</li> <li>d. Sand or debris lodged in water control.</li> </ul>	<ul style="list-style-type: none"> <li>a. Open valve and allow water to fill tank.</li> <li>b. Shut off water supply, disconnect supply line and inspect all gaskets and washers. Reassemble.</li> <li>c. Readjust chain length as required.</li> <li>d. Shut off water supply. Remove cap and clean as per Fluidmaster maintenance instructions at: <a href="http://www.americanstandard-us.com/enews/fluidmasterguide.pdf">www.americanstandard-us.com/enews/fluidmasterguide.pdf</a></li> </ul>
Poor or sluggish flush	<ul style="list-style-type: none"> <li>a. Bowl water level too low.</li> <li>b. Supply valve partly closed.</li> <li>c. Partially clogged trapway and/or drain pipe and/or vent.</li> <li>d. Supply pressure too low.</li> <li>e. Tank not installed tightly on bowl.</li> <li>f. Product has air stuck in waterways.</li> <li>g. Incorrect tank water level</li> <li>h. Trip lever not opening jet flapper to stop</li> <li>i. Air leak</li> <li>j. Trip lever not returning to original position</li> <li>k. Loss of prime due to depressing on the trip lever too long</li> </ul>	<ul style="list-style-type: none"> <li>a. Check that refill tube is connected to water control and inserted into overflow tube without being kinked or damaged.</li> <li>b. Open supply valve fully. Be sure that proper supply tube size is used.</li> <li>c. Remove obstruction. Consult a plumber if necessary.</li> <li>d. Normal supply pressure must be at least 20 psi.</li> <li>e. Tighten bolts as shown in Step 7 to make sure the tank is touching the piers of the bowl in the front and back of the product.</li> <li>f. Re-prime bowl by flushing 5 times in a row allowing the tank to refill each time to achieve optimal performance.</li> <li>g. Check water level in tank to make sure it is at the correct height listed inside the tank. Re-prime bowl by flushing 5 times in a row allowing the tank to refill each time to achieve optimal performance.</li> <li>h. Adjust settings according to adjustable screw setup in Step 10</li> <li>i. Reseat tank by shutting off water supply, disconnect supply line, remove tank mounting nuts, inspect all gaskets and reassemble</li> <li>j. Adjust trip lever nut by loosening the nut a quarter turn at a time clockwise (reverse thread)</li> <li>k. Do not depress trip lever longer than 2 seconds for optimal performance. Depressing trip lever longer will negatively affect the toilet performance by causing a loss of prime. Re-prime bowl by flushing 5 times in a row allowing the tank to refill each time to achieve optimal performance.</li> </ul>
Toilet leaks	<ul style="list-style-type: none"> <li>a. Poor supply line connection.</li> <li>b. Poor bowl to tank/wall connection.</li> <li>c. Cracked Bowl</li> <li>d. Loose tank nuts</li> <li>e. Loose flush valve mounting nuts</li> <li>f. Tank to Bowl gaskets defective</li> <li>g. Black rim flapper leaking. Inlet valve will periodically run and you will see water coming from port in to the bowl</li> <li>h. Red jet flapper leaking. Inlet valve will periodically run</li> </ul>	<ul style="list-style-type: none"> <li>a. Review Step 8 of installation procedure.</li> <li>b. Review Step 1 through 8 of installation procedure.</li> <li>c. Send new bowl / return</li> <li>d. Tighten nuts, reinstall</li> <li>e. Tighten nuts, reinstall</li> <li>f. Replace gaskets</li> <li>g. Clean debris from seal surface. Replace flapper seal as needed and adjust settings according to adjustable screw setup in Step 10.</li> <li>h. Clean debris from seal surface. Replace flapper seal as needed and adjust settings according to adjustable screw setup in Step 10.</li> </ul>
Toilet does not shut off	<ul style="list-style-type: none"> <li>a. Flapper seal leaking or deformed.</li> <li>b. Sand or debris lodged in water control.</li> <li>c. Flush valve chain too tight, holding flapper open.</li> </ul>	<ul style="list-style-type: none"> <li>a. Clean debris from seal surface. Replace flapper seal as needed. See web for more info.</li> <li>b. Shut off water supply. Remove cap and clean as per Fluidmaster maintenance instructions at: <a href="http://www.americanstandard-us.com/enews/fluidmasterguide.pdf">www.americanstandard-us.com/enews/fluidmasterguide.pdf</a></li> <li>c. Adjust settings according to adjustable screw setup in Step 10.</li> </ul>

### In the United States:

American Standard Brands  
1 Centennial Ave.

Piscataway, New Jersey 08854

Attention: Director of Customer Care

For residents of the United States, warranty information may also be obtained by calling the following toll free number: (800) 442-1902  
[www.americanstandard.com](http://www.americanstandard.com)

### In Canada:

AS Canada, ULC  
5900 Avebury Rd.

Mississauga, Ontario  
Canada L5R 3M3

Toll Free: (800) 387-0369  
[www.americanstandard.ca](http://www.americanstandard.ca)

### In Mexico:

American Standard B&K Mexico  
S. de R.L. de C.V.

Via Morelos #330  
Col. Santa Clara

Ecatepec 55540 Edo. Mexico  
Toll Free: 01-800-839-1200  
[www.americanstandard.com.mx](http://www.americanstandard.com.mx)