

# BAR SINK DRAIN 2"

Cat.No

5587-XX



L: 2-7/8"

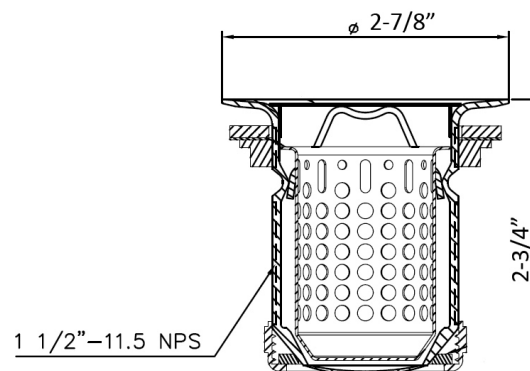
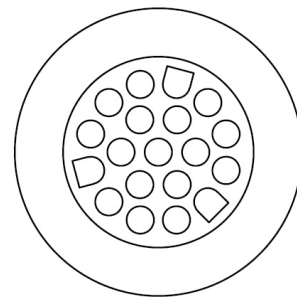
D: 2-3/4"

## Features:

- ▶ 2" Bar sink drain with stainless steel grid
- ▶ Brass construction
- ▶ Includes lift up strainer
- ▶ Includes washer + locknut
- ▶ 1-3/8" threaded body
- ▶ Fits standard 2" drain opening
- ▶ Installation from above sink
- ▶ Available in 3 finishes

## Finishes:

- CP Polished Chrome
- BN Brushed Nickel
- ORB Oil Rubbed Bronze



Dimensions and specifications subject to change without notice.

09/30/2019

P 847•244•1234

www.barclayproducts.com