

CELLA 6636

66" x 36" x 27" (FREESTANDING)

The name Balneo evokes the art of bathing. For BainUltra, a bath is an important ritual, part of a lifestyle that encourages you to slow down and take time for yourself.



With flat deck

PRODUCT NO.

DESCRIPTION	TMU	TUB
Flat deck	BBCLOFN0T-XX	BBCLOFN0N-XX
Rolled deck	BBCLOFP0T-XX	BBCLOFP0N-XX

THERMOMASSEUR (TMU) Hydro-thermo massage • Air jet system	\$
Jets	38
1 heated backrest	Included
MiaMulti® Control*	Included
Geysair®	Included
AromaCloud® BAROMAC	\$
Illuzio Chromatherapy BCHRO6	\$
2 nd heated backrest (WTS-1 zone) BSHB	\$

TUB Soaker	\$
AromaCloud® BAROMAC	\$
Illuzio Chromatherapy BCHRO6	\$
WarmTouchShell® BWTS	\$
DOT control	Included with therapy
2 nd WarmTouchShell® BWTS2	\$

FEATURES

Installation type	Freestanding		
No. of bathers		Imp. gallons	40
US gallons	48		

STANDARD COLOR

White 01	Biscuit 02	Included
-----------------	-------------------	----------

CLAW FEET (specify finish) **BFEET-XX**

Chrome 07 , Brushed Nickel 09 , Polished Nickel 10 , Oil-rubbed Bronze 11 , Unplated 00	Included
--	----------

OPTIONS (UPCHARGE APPLICABLE)

COLOR

	Gray 05	\$
--	----------------	----

FOR AIR SUPPLY ONLY

Decorative pipe (1 1/2" x 6")	\$
Decorative pipe (1 1/2" x 24")	\$
Pipe concealer (3" x 5 1/4")	\$
Elbow (45°)	\$
Elbow (90°)	\$

WASTE & OVERFLOW D13 (exposed) **BOVERD13-XX**

Chrome 07	\$
Brushed Nickel 09 , Polished Nickel 10 , Oil-rubbed Bronze 11 , Unplated 00	\$

* For TMU, control must be wall-mounted. Faucets must be freestanding or wall-mounted. Don't forget to indicate **flat or rolled deck**, as well as the selected **finish for the claw feet**.

TOTAL PRICE	\$
--------------------	----



CELLA 6636 (FREESTANDING)



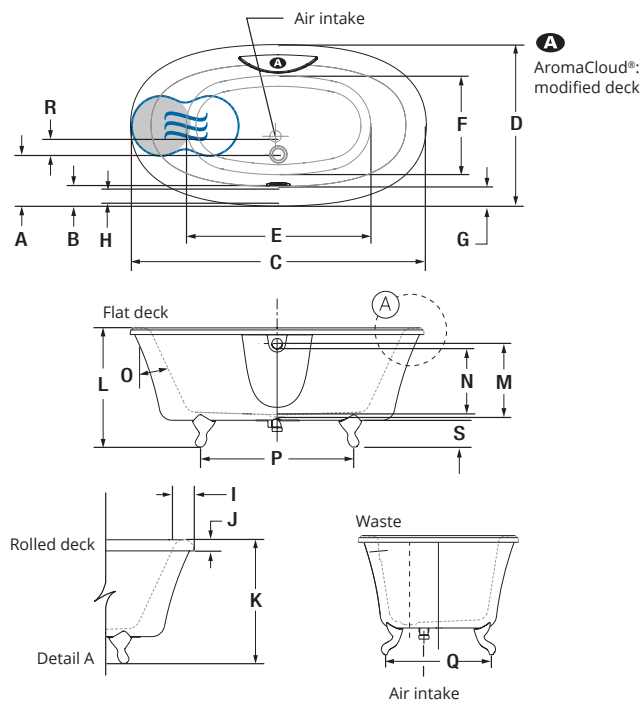
Flat deck



Rolled deck

INSTALLATION

Available with flat or rolled deck.



LETTER	DESCRIPTION	MEASURE
A	Outside edge to center waste	11 1/2"
B	Outside edge to overflow	4"
C	Total length	66"
D	Total width	36"
E	Bathing well length	42 3/8"
F	Bathing well width	22 1/4"
G	Deck width	4 1/4"
H	Flat surface width	3"
I	Rolled deck width	4 3/4"
J	Height from bottom of lip to top deck	2 1/2"
K	Height from clawfoot to top of lip	27 3/4"
L	Height from clawfoot to top of lip	26 3/4"
M	Height from waste to center of overflow	16 5/8"
N	Maximum water level	14 7/8"
O	Slope of backrest	25°
P	Length between clawfeet	34 5/8"
Q	Width between clawfeet	23 1/2"
R	Distance from center air intake to center waste	3 1/4"
S	Clearance from floor to bottom of bath	4 1/2"

- AromaCloud® position
- Indicates WarmTouchShell® position (TUB)
- Indicates heated backrest (TMU)

TECHNICAL SPECIFICATIONS

Hot water supply required	Should be 70% of water capacity of TUB or greater.
Turbine	Access to the pump must be at least 18" x 22". Standard connection is 20 A, 120 V, 60 Hz , dedicated line with a Ground-Fault Circuit Interrupter (GFCI). For any additional option, a second line is needed 15 A, 120 V, 60 Hz , dedicated line with a GFCI. Air vent necessary: 2" x 4" minimum.
Others	<ul style="list-style-type: none"> - There is a height difference for the rolled deck (see drawing Detail A). - Faucets must be freestanding or wall-mounted. - The turbine must be remotely installed. - TMU: Control must be wall-mounted. - TUB: DOT controls are located on either sides of the AromaCloud®.

Our products must be installed by certified professionals only and according to our Owner's Manual as well as federal, provincial/state and local building codes and regulations (www.bainultra.com/documentation/documentation).

Approx. shipping weight	285 lbs
Turbine power	550 W
Air heater	600 W
WARRANTY	
Controls-LED-Geysair*	5 years
Bath & turbine*	20 years

* Some restrictions apply | www.bainultra.com/warranty



The specifications shown indicate the outer edge dimension and the inside bathing capacity dimension measured at air jets' height. The manufacturer accepts a 1/4" [0.64 cm] variance. There are variations on each product and specifications are subject to change as we improve upon our product as required. The dimensions needed for site preparation and structure building will differ. BainUltra® assumes no responsibility for preparatory work done prior to the product being on site.