

# CHARISM 6436

64" x 36" x 24" (FREESTANDING)

Charism has broken the mold, transcending conventional approaches to therapeutic baths.

CHARISM®

## PRODUCT NO.

MODEL	TMU	TUB
Freestanding	BCH3OF00T-XX	BCH3OF00N-XX

THERMOMASSEUR (TMU)	
Hydro-thermo massage • Air jet system	\$
Jets	35
1 heated backrest	Included
MiaMulti® Control*	Included
Geysair®	Included
AromaCloud®	N/A
Illuzio Chromatherapy BCHRO6	\$
2 <sup>nd</sup> heated backrest (WTS-1 zone) BSHB	\$

TUB	
Soaker	\$
AromaCloud®	N/A
Illuzio Chromatherapy BCHRO6	\$
WarmTouchShell® BWTS	\$
DOT control	Included with therapy
2 <sup>nd</sup> WarmTouchShell® BWTS2	\$

## FEATURES



Installation type	Freestanding		
No. of bathers	2	Imp. gallons	42
US gallons	51		

INTEGRATED WASTE & OVERFLOW	BOVERINI-XX
White 01, Chrome 07, Brushed Nickel 09, Polished Nickel 10	Installed & Included

STANDARD COLOR	
 White 01	Included

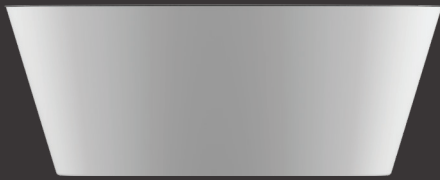
STANDARD DECK COLOR	BDECKCO-XX
 White 01  Black 06	Included

## OPTIONS (UPCHARGE APPLICABLE)

FINISH	
UltraVelour Matte Finish (White only) BVEL	\$
DECK COLOR	BDECKCO-XX
 Copper 18  Crystal Rock 17	\$
INTEGRATED WASTE & OVERFLOW	BOVERINI-XX
Black Chrome 12, Matte Black 19, Satin Brass 18	\$
ISLAND TUB DRAIN™**	
Island Tub Drain™ BISLDD	\$
Cast Iron Island Tub Drain™ BISLDDCI	\$
IF REQUIRED BY CONSTRUCTION CODE OR INSTALLED WITH ITD	
Brass waste & overflow kit BDRCOB	\$
Brass waste kit BDRCB	\$

💡 Don't forget that this model is available in **White only with choice of deck color**. Don't forget to specify the **finish of the integrated waste & overflow**.  
 \* For TMU, control and faucets cannot be installed on deck of the bath.  
 \*\* An Island Tub Drain™ is required when there is **no access under the bath**.

<b>TOTAL PRICE</b>	\$
--------------------	----



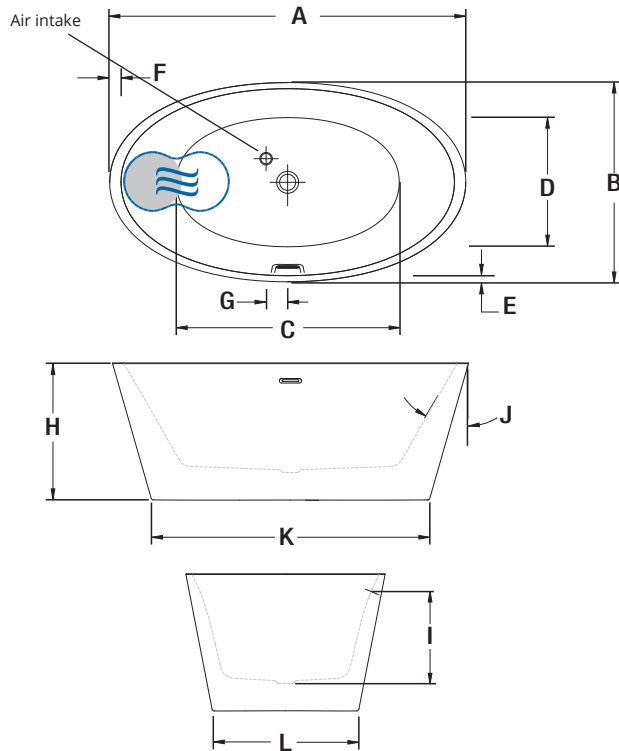
Black deck color

**CHARISM 6436 (FREESTANDING)**



White deck color

**INSTALLATION**



LETTER	DESCRIPTION	MEASURE
A	Total length	64 1/8"
B	Total width	35 7/8"
C	Bathing well length	41 3/4"
D	Bathing well width	23 5/8"
E	Deck width	1 1/8"
F	Deck width at headrest	2"
G	Center waste to air intake	3 7/8"
H	Total height	24 3/4"
I	Maximum water level	16"
J	Slope of backrest	31°
K	Base length	50"
L	Base width	26 1/4"

- Indicates heated backrest (TMU)
- ☉ Indicates WarmTouchShell® position (TUB)

**TECHNICAL SPECIFICATIONS**

<b>Hot water supply required</b>	Should be 70% of water capacity of TUB or greater.
<b>Turbine</b>	Access to the pump must be at least 18" x 22". <b>Standard connection is 20 A, 120 V, 60 Hz</b> , dedicated line with a Ground-Fault Circuit Interrupter (GFCI). <b>For any additional option, a second line is needed 15 A, 120 V, 60 Hz</b> , dedicated line with a GFCI. Air vent necessary: 2" x 4" minimum.
<b>Others</b>	<ul style="list-style-type: none"> <li>- Faucet must be freestanding or wall-mounted.</li> <li>- The turbine must be <b>remotely installed</b>.</li> <li>- Controls cannot be installed on the deck of the bath.</li> </ul>

Our products must be installed by certified professionals only and according to our Owner's Manual as well as federal, provincial/state and local building codes and regulations ([www.bainultra.com/documentation/documentation](http://www.bainultra.com/documentation/documentation)).

<b>Cutting template</b>	# 90000067
<b>Approx. shipping weight</b>	230 lbs
<b>Turbine power</b>	550 W
<b>Air heater</b>	600 W
<b>WARRANTY</b>	
Controls-LED-Geysair*	5 years
Bath & turbine*	20 years

\* Some restrictions apply | [www.bainultra.com/warranty](http://www.bainultra.com/warranty)



The specifications shown indicate the outer edge dimension and the inside bathing capacity dimension measured at air jets' height. The manufacturer accepts a 1/4" [0.64 cm] variance. There are variations on each product and specifications are subject to change as we improve upon our product as required. The dimensions needed for site preparation and structure building will differ. BainUltra® assumes no responsibility for preparatory work done prior to the product being on site.