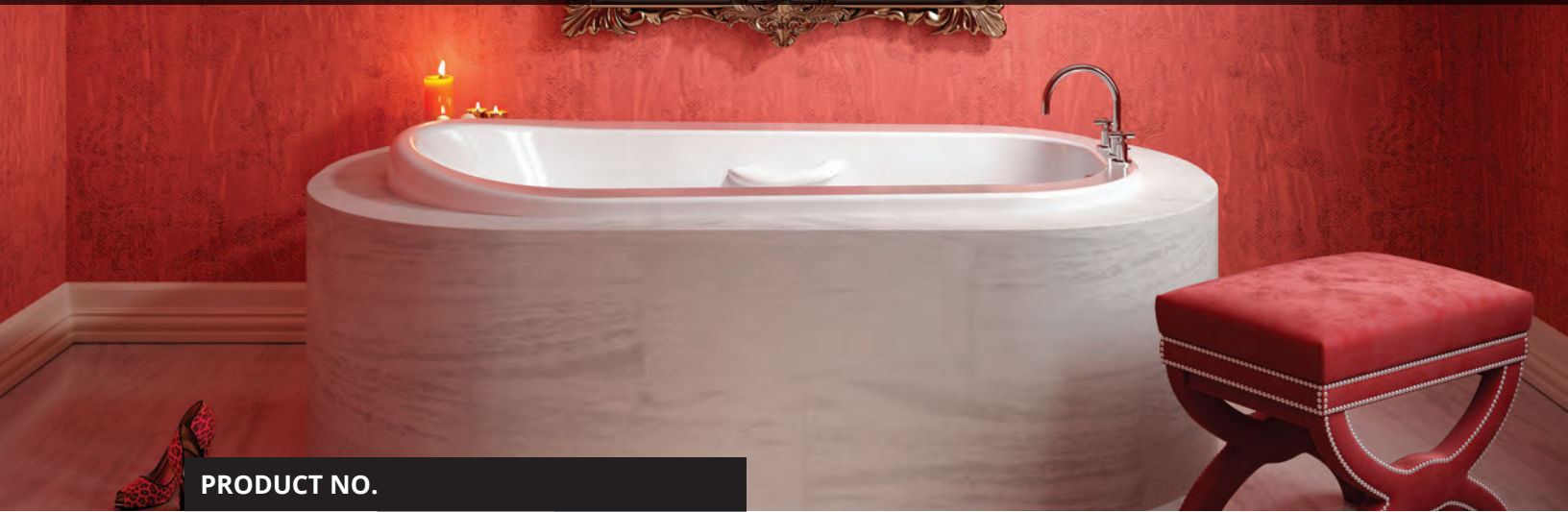


AMMA OVAL 6638

66" x 38" x 21"

Amma takes its origin in the word "massage" as represented by two Chinese characters, AN and MO, meaning "calm through touch."



PRODUCT NO.

MODEL	TMU	TUB
	BAMMOD00T-XX	BAMMOD00N-XX

THERMOMASSEUR (TMU) Hydro-thermo massage • Air jet system	\$7,680
Jets	49
1 heated backrest & headrest	Included
MiaPlus® Control	Included
BU-Touch Control Application BUTOUCH	\$430
Geysair®	Included
AromaCloud** BAROMAC	\$490
AromaFlow*** BAROMAF NEW	\$950
Illuzio Chromatherapy BCHRO6	\$925

TUB Soaker	\$4,930
AromaCloud** BAROMAC	\$490
AromaFlow*** BAROMAF NEW	\$950
Illuzio Chromatherapy BCHRO6	\$925
WarmTouchShell® BWTS	\$1,125
DOT control	Included with therapy

FEATURES

Installation type	Drop-in		
No. of bathers	↓	Inverted V	1
US gallons	56	Armrests	2
Imp. gallons	47	Grab bars (color match)	2
Raised seat	1		

STANDARD COLOR

 White 01	 Biscuit 02	Included
---	---	----------

OPTIONS (UPCHARGE APPLICABLE)

CLEAR ACRYLIC GRAB BARS **BGBG10-XX**

With Chrome 07 or Brushed Nickel 09 inserts	\$60
---	------

WASTE & OVERFLOW	16" x 35" BOVER16-XX	INTE- GRADED BOVERIN-XX
Chrome 07	\$260	\$235
White 01 , Biscuit 02	\$290	\$235
Brushed Nickel 09 , Polished Nickel 10	\$400	\$235
Oil-rubbed Bronze 11	\$400	N/A
Matte Black 19 , Satin Brass 18	N/A	\$355

IF REQUIRED BY CONSTRUCTION CODE

Brass waste & overflow kit** BDRCOB	\$240
Brass waste kit** BDRCB	\$60
16" x 35" Cable driven brass waste & overflow kit BOVERBR	\$240



* The AromaCloud® is built into the deck (factory installed).

** When ordered with integrated waste & overflow.

*** When ordering an AromaFlow, an Integrated waste & overflow is mandatory (Upcharge). Specify the finish of the waste.



AMMA OVAL 6638

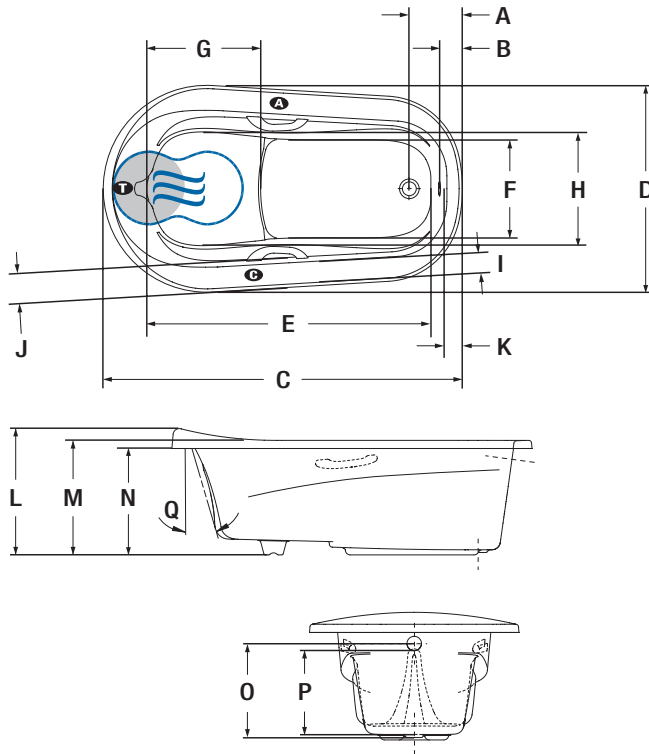


Raised seat



Raised heated headrest

INSTALLATION



LETTER	DESCRIPTION	MEASURE
A	Outside edge to center drain	9 3/4"
B	Outside edge to overflow	3 3/4"
C	Total length	66"
D	Total width	38"
E	Bathing well length	52 1/4"
F	Bathing well width at center zone	18"
G	Raised seat length	21"
H	Raised seat width	20 7/8"
I	Flat surface width	3 7/8"
J	Deck width	4 7/8"
K	Deck width at drain end	3 1/4"
L	Total height to headrest	23 1/8"
M	Height from bottom of bath to top deck	21"
N	Height from bottom of bath to bottom of deck	19 1/2"
O	Height from bottom of drain to center of overflow	17 1/8"
P	Maximum water level (Waste & overflow 16" x 35") Maximum water level (Integrated waste & overflow) Maximum water level with AromaFlow	15 3/8" 16 3/8" 15 3/4"
Q	Slope of backrest	18°

- A** AromaCloud® position
- G** Control position when factory-installed (Mia® or DOT)
- T** Turbine position (TMU)
- Indicates heated backrest (TMU)
- ☁ Indicates WarmTouchShell® position (TUB)

TECHNICAL SPECIFICATIONS

Hot water supply required	The hot water supply should be 70% or more of the bath's total water capacity.
Turbine	Access to the pump must be at least 18" x 22". Standard connection is 20 A, 120 V, 60 Hz , dedicated line with a Ground-Fault Circuit Interrupter (GFCI). For any additional option, a second line is needed 15 A, 120 V, 60 Hz , dedicated line with a GFCI. Air vent necessary: 2" x 4" minimum.
Others	- The Geysair® is located on the same side as the heated backrest. It must NOT be relocated . It must be connected to the hot water supply and be accessible (provide access). - The water level will vary when an AromaFlow is installed.

Our products must be installed by certified professionals only and according to our Owner's Manual as well as federal, provincial/state and local building codes and regulations (www.bainultra.com/dealers/dealer-documentation-and-catalog).

Cutting template	# 90000037
Approx. shipping weight	147 lb
Turbine power	550 W
Air heater	600 W
WARRANTY	
Controls-LED-Geysair*	5 years
Bath & turbine*	20 years

* Some restrictions apply | www.bainultra.com/warranty

The specifications shown indicate the outer edge dimension and the inside bathing capacity dimension measured at air jets' height. The manufacturer accepts a 1/4" [0.64 cm] variance. There are variations on each product and specifications are subject to change as we improve upon our product as required. The dimensions needed for site preparation and structure building will differ. BainUltra® assumes no responsibility for preparatory work done prior to the product being on site.