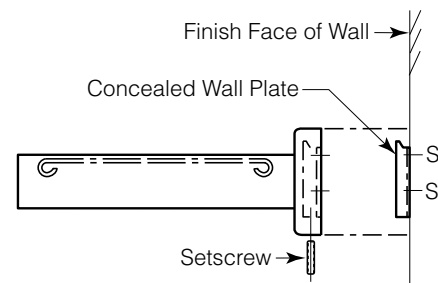
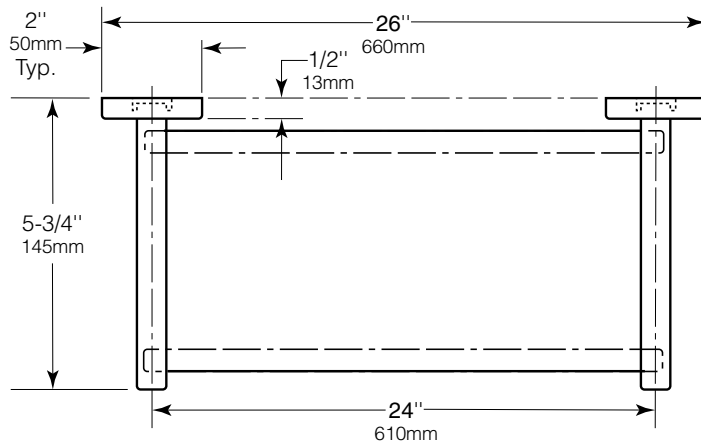




Technical Data

SURFACE-MOUNTED STAINLESS STEEL SHELF

B-683



MATERIALS:

Flanges and Support Arms (2) — 18-8, type-304, 22-gauge (0.8mm) stainless steel. Each flange has a concealed, 16-gauge (1.6mm) stainless steel mounting bracket. All-welded construction. Secured to wall plates with stainless steel setscrews.

Concealed Wall Plates (2) — 18-8, type-304, 16-gauge (1.6mm) stainless steel.

Shelf — 18-8, type-304, 22-gauge (0.8mm) stainless steel with roll-formed edges.

INSTALLATION:

To remove concealed wall plates from back of flanges and mounting brackets, loosen setscrews. Mount each wall plate so prongs are at top; secure with sheet-metal screws, furnished by manufacturer, at points indicated by an S. Engage mounting brackets onto prongs of wall plates, then secure into position by tightening setscrews at bottom of flanges.

Note: Center-to-center of concealed wall plates must be within 1/16" (1.6mm) of the bar length dimension.

For plaster or dry wall construction, provide concealed backing to comply with local building codes, then secure unit with sheet-metal screws furnished. For other wall surfaces, provide fiber plugs or expansion shields for use with sheet-metal screws furnished, or provide 1/8" (3mm) toggle bolts or expansion bolts.

SPECIFICATION:

Surface-mounted shelf shall be type-304 stainless steel with bright polished finish. Flanges and support arms shall be 22 gauge (0.8mm) and equipped with concealed, 16-gauge (1.6mm) mounting brackets that are secured to concealed, 16-gauge (1.6mm) wall plates with stainless steel setscrews. Shelf shall be 22 gauge (0.8mm) with roll-formed edges.

Surface-Mounted Stainless Steel Shelf shall be Model B-683 of Bobrick Washroom Equipment, Inc., Clifton Park, New York; Jackson, Tennessee; Los Angeles, California; Bobrick Washroom Equipment Company, Scarborough, Ontario; Bobrick Washroom Equipment Pty. Ltd., Australia; and Bobrick Washroom Equipment Limited, United Kingdom.