



California Faucets®

RINCON BAY

WALL OR DECK HANDLE TRIM

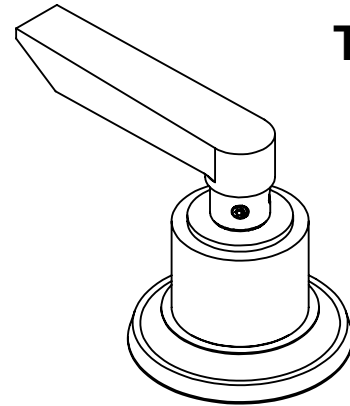
Features

- Over 30 finishes including 14 PVD finishes
- Solid brass construction
- Rough valve sold separately (50-W-R, 75-W-R, WDV-R, DDV-R)
- For additional product offerings, see www.californiafaucets.com

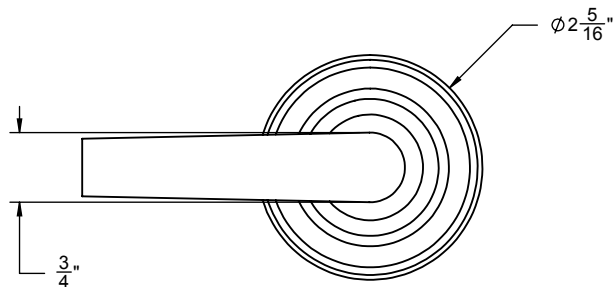
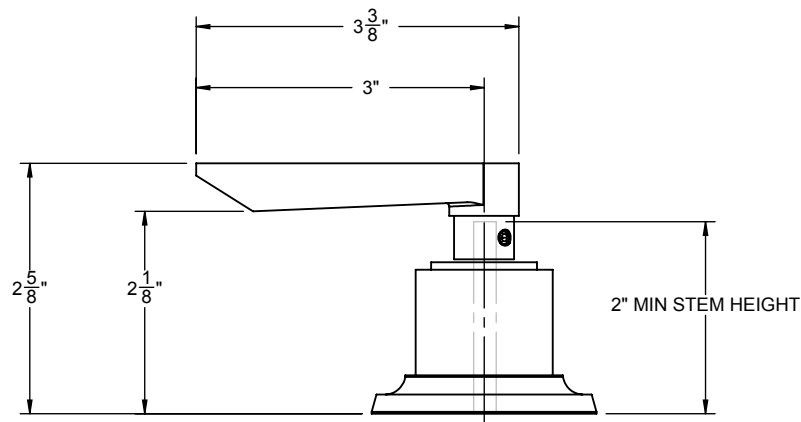
Codes/Standards Applicable

Meets or exceeds the following at date of manufacture:

- ASME A112.18.1/CSA B125.1



TO-45-W



ALL DIMENSIONS SHOWN TO NEAREST 1/16"