



Features

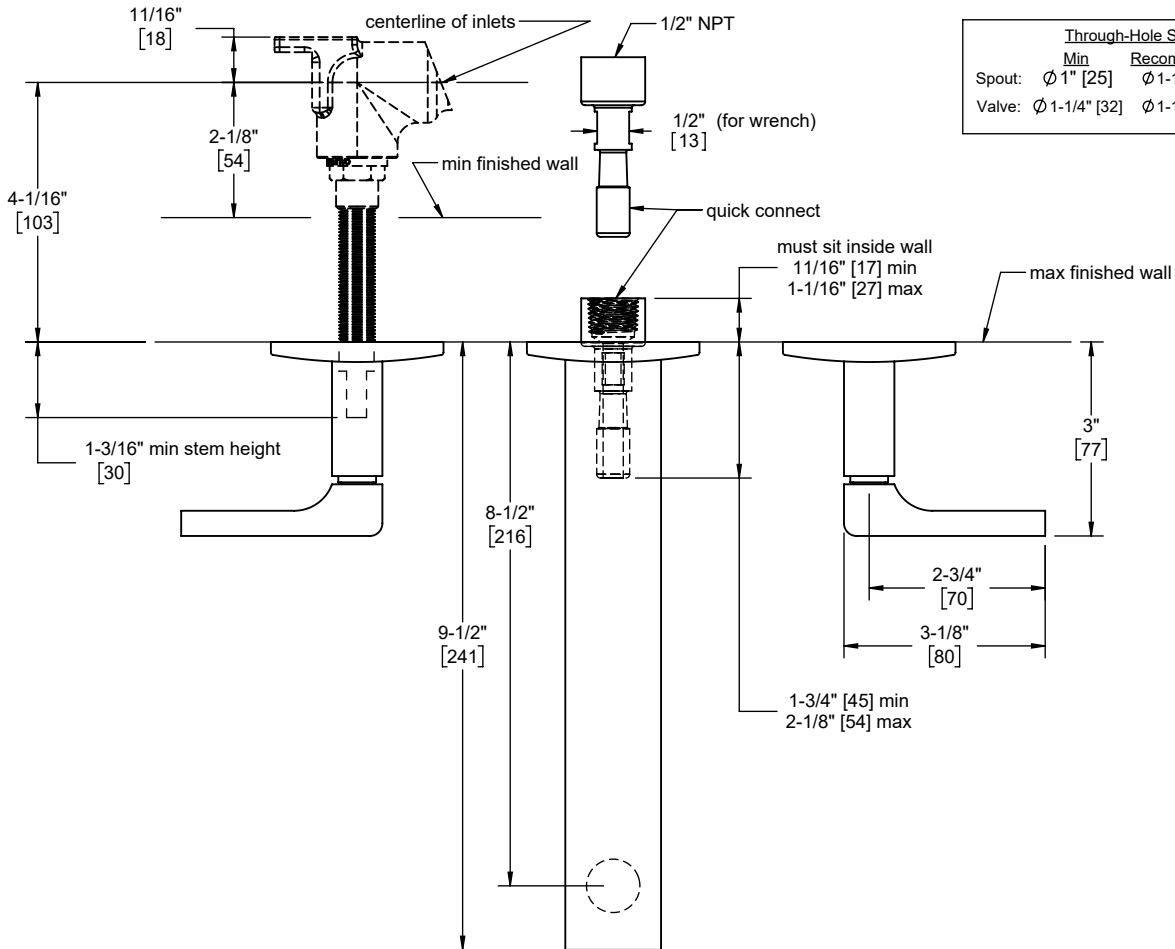
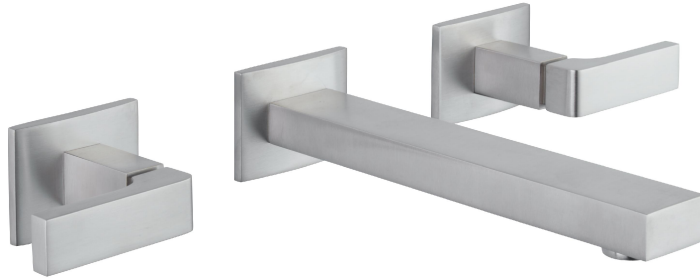
- Available in 26 finishes including 12 PVD finishes
- All brass construction
- 1/4 turn ceramic disc cartridge(s)
- 1.2gpm (4.5 L/min) max flow rate
- Rough valve (VL-R) sold separately

TO-V7002-9

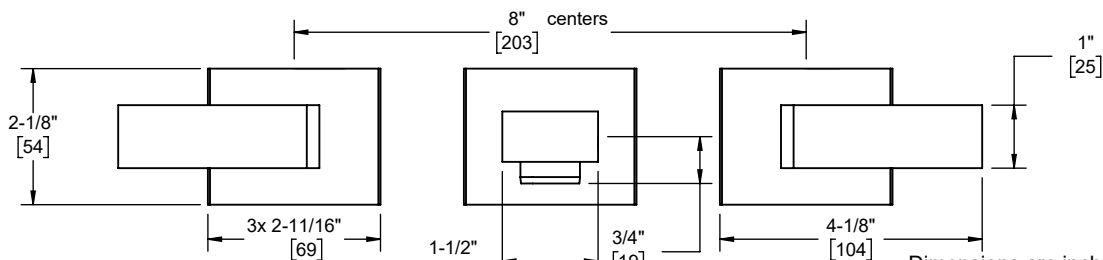
Codes/Standards Applicable

Product meets or exceeds the following:

- ASME A112.18.1/CSA B125.1
- NSF 61, NSF 372, CEC & DOE
- EPA WaterSense
- Commonwealth of MA
- ADA compliant



	Through-Hole Specifications		
	Min	Recommended	Max
Spout: \varnothing 1" [25]	\varnothing 1-1/4" [32]	\varnothing 1-1/4" [32]	\varnothing 1-11/16" [43]
Valve: \varnothing 1-1/4" [32]	\varnothing 1-1/4" [32]	\varnothing 1-1/4" [32]	\varnothing 1-11/16" [43]



Specifications subject to change without notice

Dimensions are inches, rounded to 1/16"
[Dimensions in brackets are mm, rounded to 1mm]