

crosswater^x

LONDON

Taos Thermostatic Valve Trim
17-16-T

Installation Instructions



Tools You Will Need



Adjustable Wrench



Adjustable Pliers



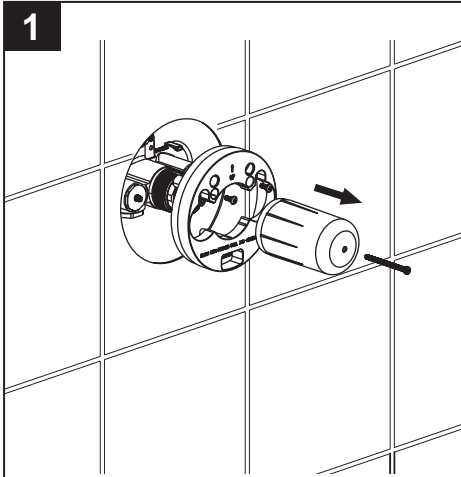
Screwdriver

For ease of installation you will need:

- To read the installation instructions completely before beginning.
- To read all warnings, care, and maintenance information.
- To complete the valve rough-in prior to installing this trim kit.

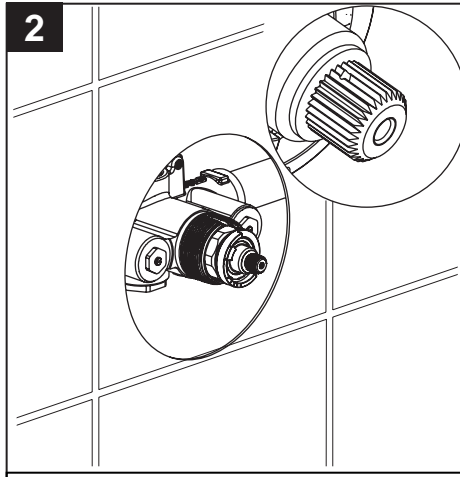
Before beginning installation, check for any damage that may have occurred during transport. **Note: Damage claims cannot be made during or after installation.**

Installation Instructions



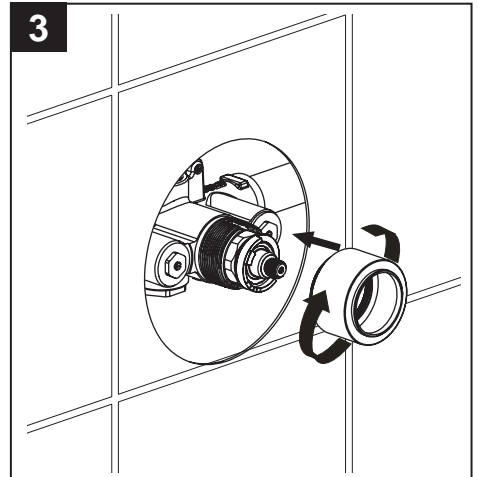
1

Turn off the water supply and remove the mud guard.



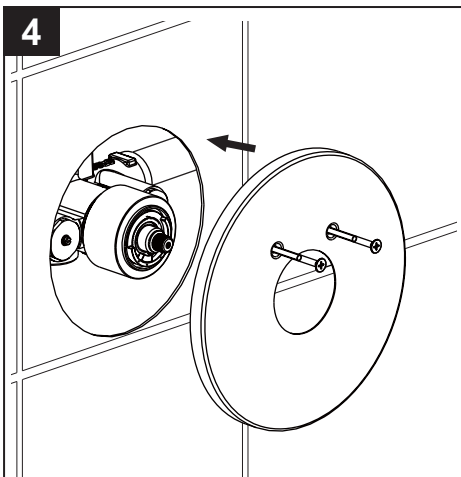
2

NOTE: Make sure the hole in the stem is facing straight up. (This sets the valve at 100°).



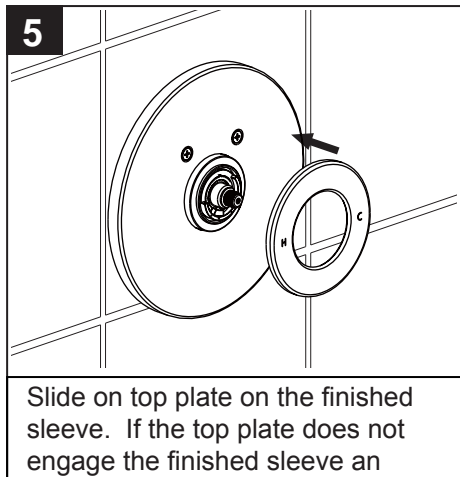
3

Thread on finished sleeve.



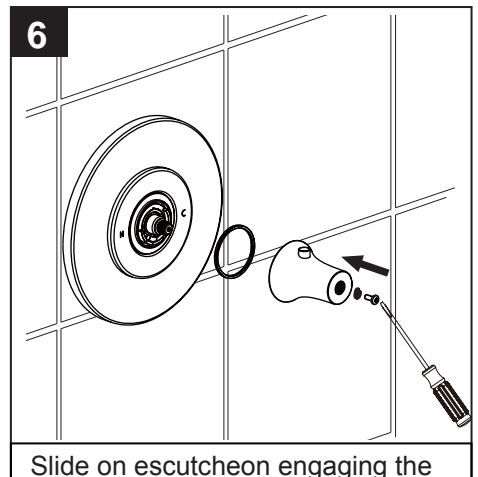
4

Install escutcheon with 2 screws. Do not overtighten the screws.



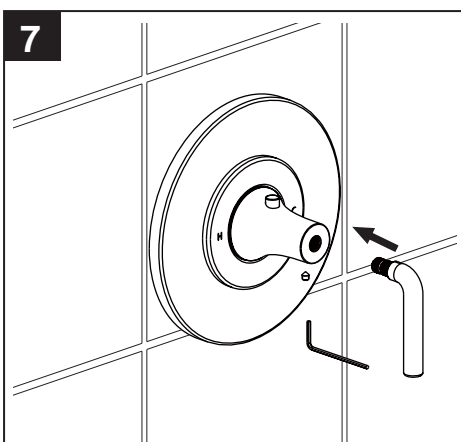
5

Slide on top plate on the finished sleeve. If the top plate does not engage the finished sleeve an extension kit is necessary. Please contact your Crosswater London dealer.



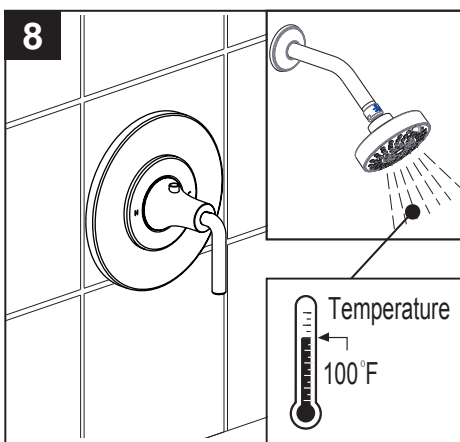
6

Slide on escutcheon engaging the stem making sure the temperature override button facing straight up. Secure with screw.



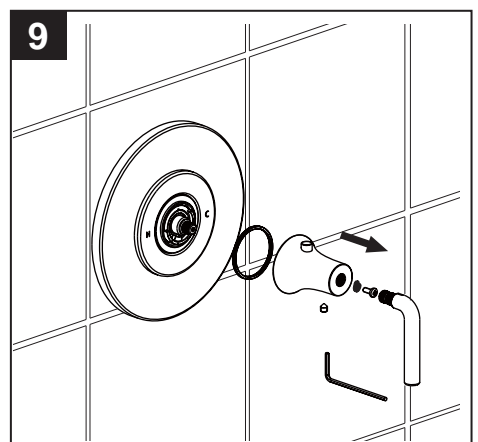
7

Slide handle into escutcheon and secure with set screw.



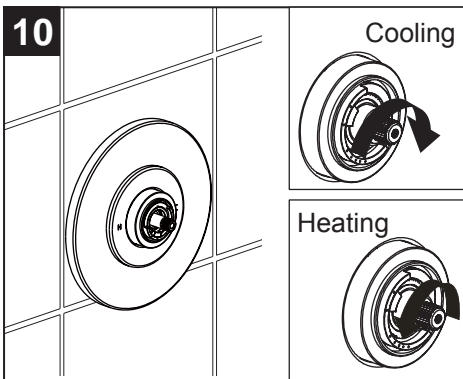
8

Turn on the water supply, measure the temperature of water. If the temperature is 100°F, go to step #9, if not go to step #11.

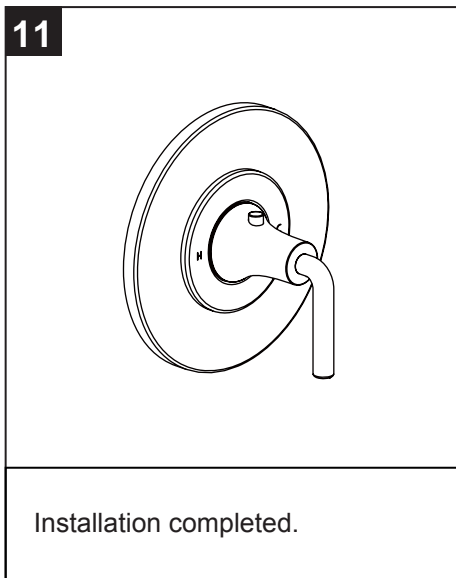


9

Turn off the water supply. Remove handle and escutcheon.



If the temperature in #8 was less than 100° turn the temperature limit ring to the left. If the temperature was more than 100° turn the temperature limit ring to the right. Reinstall the handle and escutcheon.



Cleaning Instructions

Rinse away any traces of soap and gently dry with a clean, soft cloth after each use. Rinse completely with water and dry any overspray. This will maintain the finish and avoid water spotting.

To remove mineral deposits, use a 50/50 solution of white vinegar and water. Do not allow the solution to soak on the product.

Simichrome Polish® contains a protective film to enhance maintenance and is helpful in preventing water spot buildup. Follow instructions to ensure optimum results.

Never use an abrasive material such as a brush or scouring pad to clean the surface. The use of abrasive cleaners, cleansers or disinfectants will alter the surface finish and void the warranty.

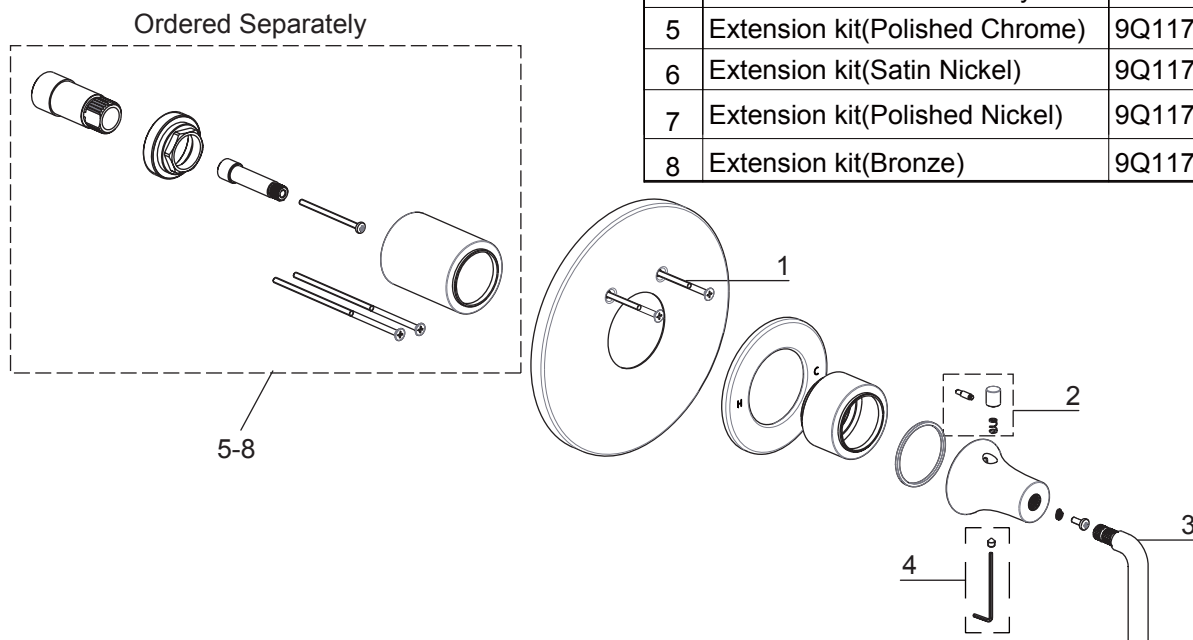
Do not allow certain materials such as toothpaste, cologne, shaving cream, nail polish remover, vinegar, wine, drain and glass cleaners to remain on the surface. Prolonged contact will alter surface finishes and void the warranty.

We DO NOT recommend using any household cleaners as many can cause damage to the finish.

Please see the website for care instructions for specific finishes.

Replacement Parts

NO.	Description	Part NO.
1	Screw M4X80	5T0F0266NT
2	Spring & Button & Pin	9Q1112
3	Handle Assembly	9Q1195
4	Hex Set Screw & Allen Key	9Q1356NT
5	Extension kit(Polished Chrome)	9Q1172CP
6	Extension kit(Satin Nickel)	9Q1172AP
7	Extension kit(Polished Nickel)	9Q1172RN
8	Extension kit(Bronze)	9Q1172FO



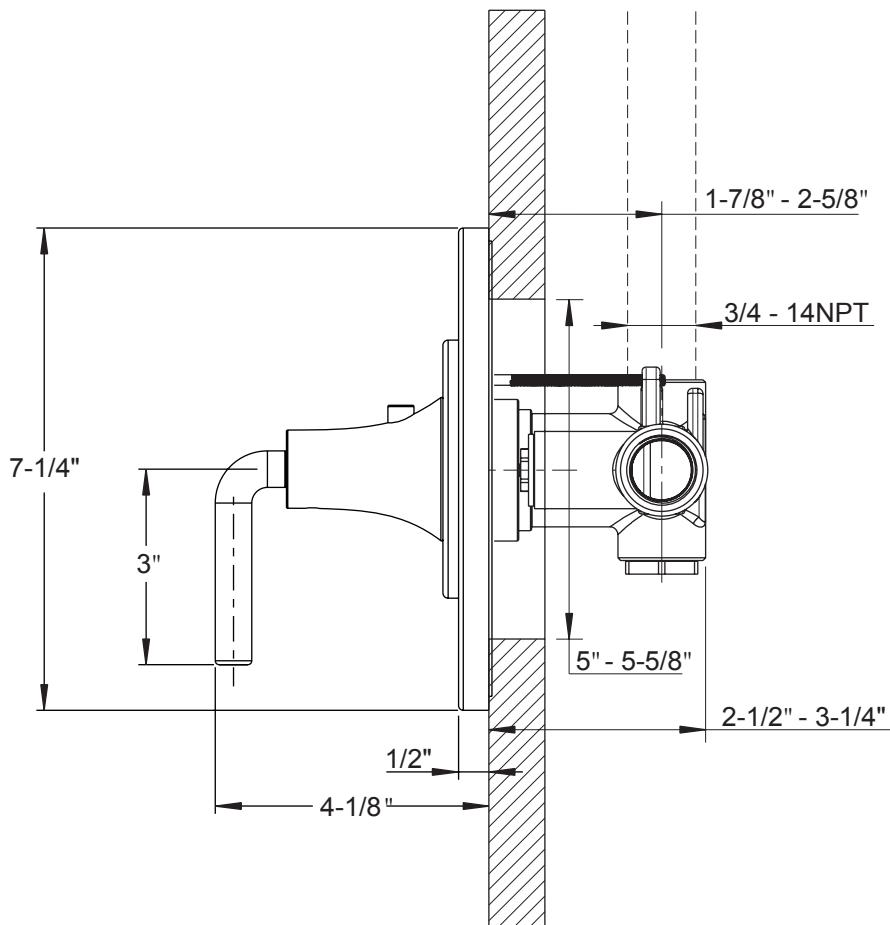
Applicable Standards/Codes

IAPMO certified to meet or exceed the following:

- ASME A112.18.1/CSA B125.1
- Uniform Plumbing Code
- National Plumbing Code of Canada
- ADA Compliant



Installation Dimensions



Warranty - This **Crosswater London** product is covered by a limited lifetime warranty. For full details, terms and conditions please visit our website.

For further information contact: **Crosswater London**, 393 Fortune Blvd., Milford, MA 01757

www.crosswaterlondon.com

Toll free number: 844-XWATER-1 (844-992-8371) tel: 508-381-0433 fax: 508-381-6068

email: technical@crosswaterlondon.com