

Architec

Mounting instructions

Alcove Installation



Architec

700353

700354

700355

700356

	Important information	4
	Installation	6
	Waste and Overflow installation	8
	Cleaning and Care	10



Important information

en

Regarding the mounting instructions

These mounting instructions comes as part of the Duravit bathtub and should be read carefully prior to installation.

Explanation of key words and symbols

NOTE! In the case of potential damage to property



Link to **installation information** in this section



Inspection (e.g. for scratches)



Indication of the length of time (e.g. 10 minutes)



Inspect to check for leaks and tightness

Target group and qualification

The bathtub must only be installed by **licensed plumber**.

Note!

Local installation regulations and any country-specific standards must be observed at all times.

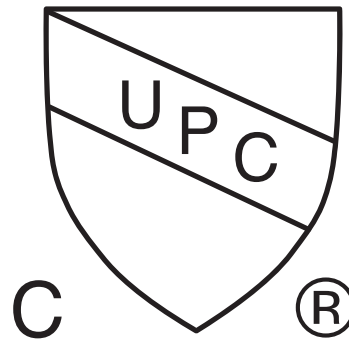
Products are in compliance with following codes:

Uniform Plumbing Code

National Plumbing Code of Canada

International Plumbing Code

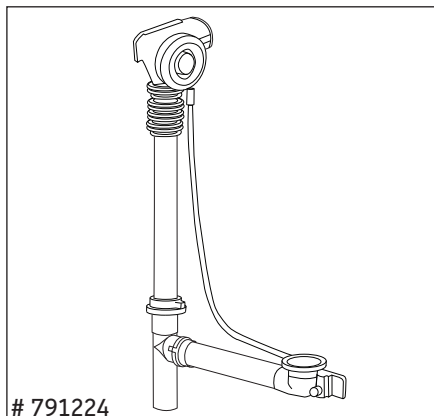
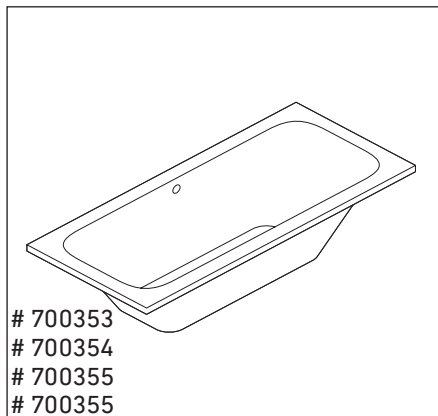
Products are in Compliance with the following standards
CSA B45.5-11/IAPMO Z124-2011

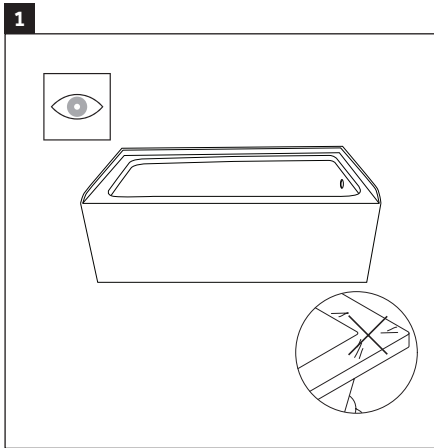


Prerequisites

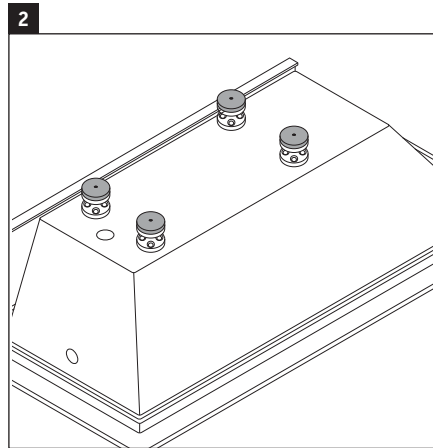
Please check door width(s) and ensure that the bathtub can be easily transported into bathroom.

We reserve the right to make technical improvements and enhance the appearance of the products shown.

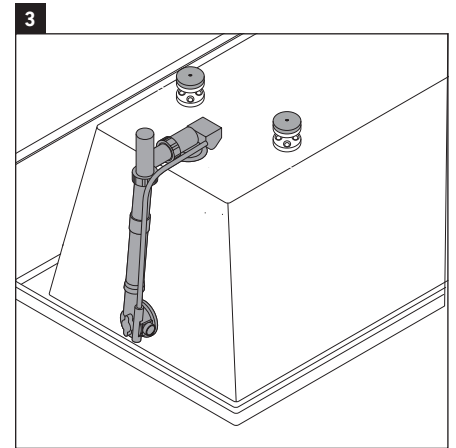




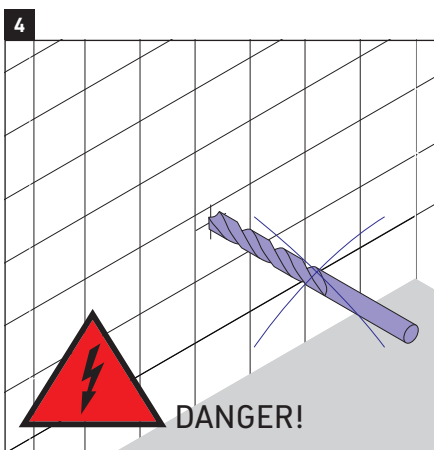
1
Inspect tub for any potential damage that may have occurred during transport.



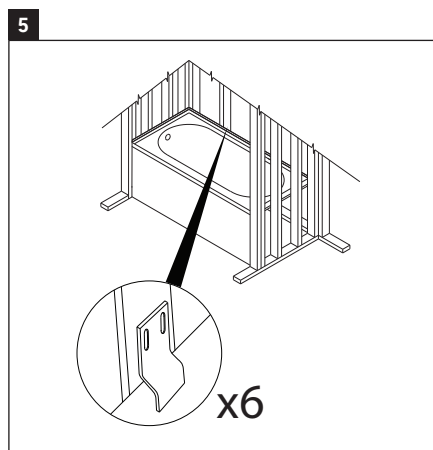
2
Place cardboard or blanket on the floor and turn tub over.



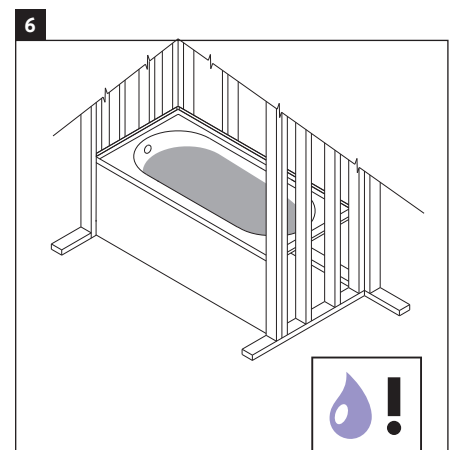
3
Connect tub waste and overflow.



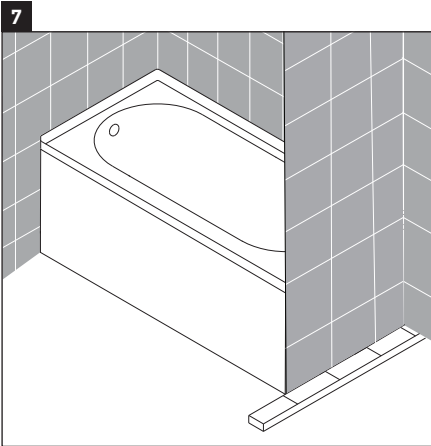
4
Fatal injury by electric shock. Make sure that there are no electrical wires or heating running under the floor, which could be affected by the installation of tub.



5
Affix 6 flange clips to the wall frame for side support of the tub.

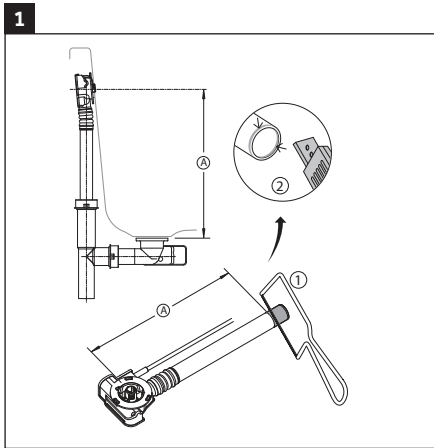


6
Set tub into designated frame area and connect tub drain to rough in. Fill the tub with water and inspect for any potential leaks.

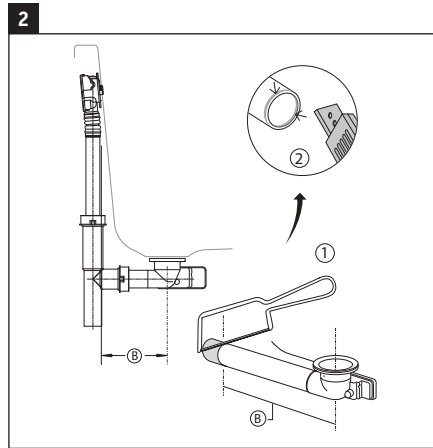


Once tub is set, finish wall and tile and apply silicone as needed.

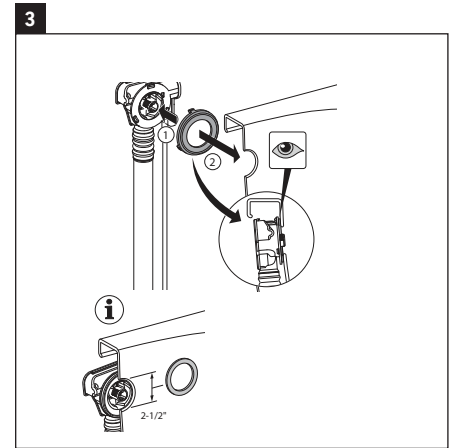
Waste & Overflow Installation



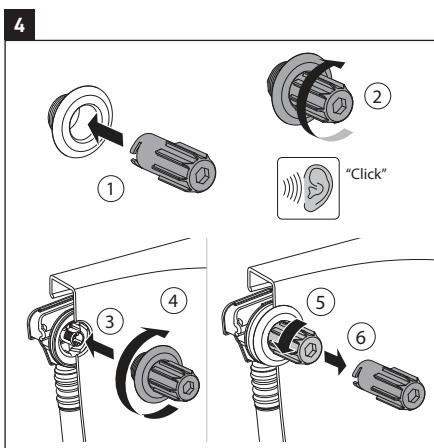
Measure vertical distance of overflow to drain and cut pipe length.



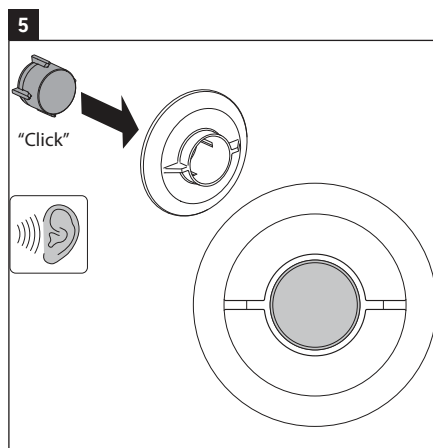
Measure horizontal distance of drain center to overflow and cut drain pipe to match length.



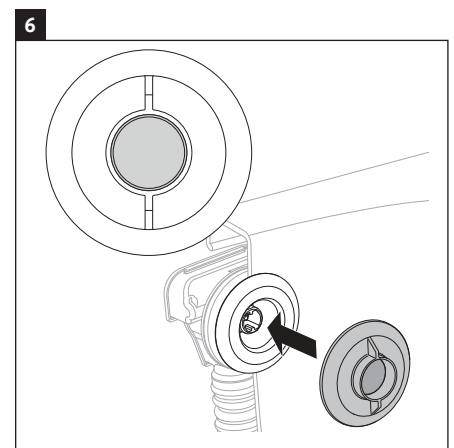
Attach rubber gasket and install the overflow against interior of wall.



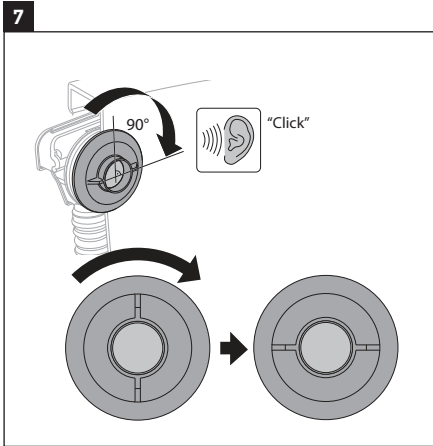
Using provide tool, attach to chrome trim piece and connect to overflow. Turn tool Clockwise to tighten into place.



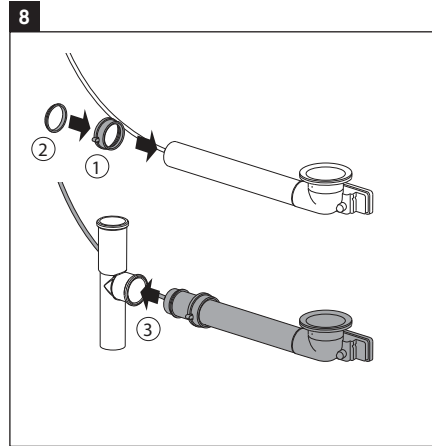
Insert push button into yellow sleeve, turn 90° to secure button into place.



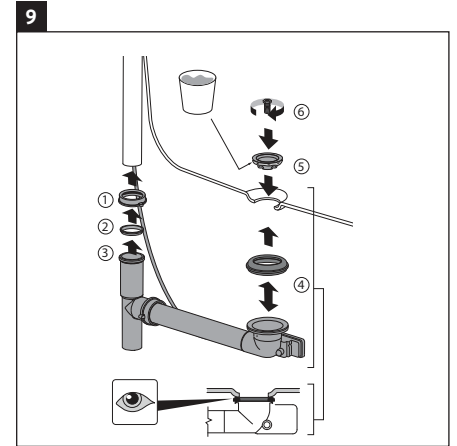
Insert push button and sleeve to overflow and ensure button lines up with insert in overflow.



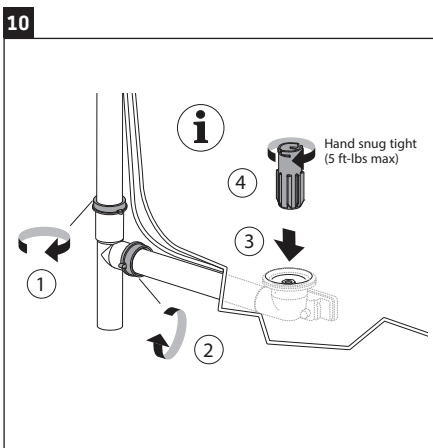
Once set, turn sleeve 90 degrees to secure push button to overflow and then remove yellow sleeve.



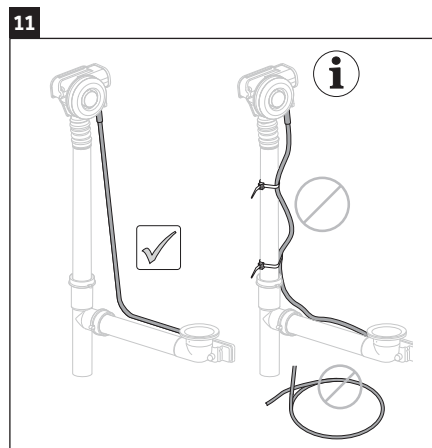
Connect drain and overflow using gasket and adaptor.



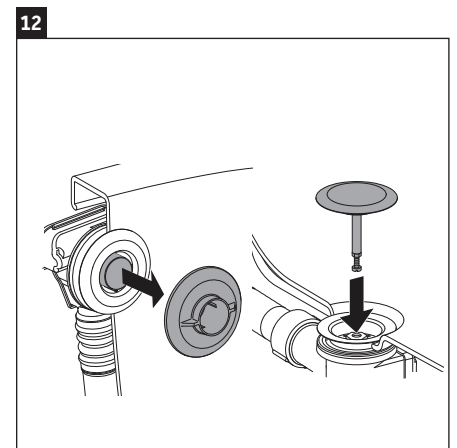
Using provided gaskets, attach the drain to the tub and insert get screw to drain.



Tighten set screw in drain using provided tool.



Connect cable and ensure it is tight. It cannot have slack.



Insert drain cover to drain and press overflow button to actuate a sync.

Cleaning and Care

ACRYLIC

Surface cleaning

Clean the surface with a soft cloth and soapy water. Do not use abrasive cleaning liquids. For removing stains we advise using the Duravit care kit for acrylic surfaces (see picture I).

More resistant stains can also be removed with warm water and a mild, liquid detergent or soap sud.

Lime stain

Lime stains can be taken off with brandy vinegar and water. After treatment rinse with clear water.

Damage

Cleaning substances other than those recommended by Duravit can cause damage the material. Scratches and other superficial damage can be corrected using the Duravit care and maintenance kit for acrylic surfaces (see picture II).



Care kit

I: Includes: Acrylic care agent, grinding paste, polishing paste, polishing cloth, and wet abrasive paper in various grits.

II: Includes: Acrylic care agent, acrylic resin, resin hardener, stirring stick, grinding paste, polishing paste, polishing cloth, and wet abrasive paper in various grits. (Resin only necessary for repair of air injectors.)

Care Kits can be purchased online through one of the certified parts distributors listed on our website:
<http://www.duravit.us/website/homepage/service/parts.us-en.html>

or

http://www.duravit.us/website/homepage/service/find_a_retailer.com-en.html
 (If you cannot access the above link, go to www.duravit.us and click on the Service tab at the top. Then click Find a Retailer in the left column.)



Duravit NYC
105 Madison Avenue
New York, NY 10016
Toll Free 1-888- DURAVIT
Phone 1-770-931-3575
Fax 1-770-931-8454
info@us.duravit.com
nyc.duravit.us

Duravit USA, Inc.
2205 Northmont Parkway
Suite 200 Duluth, GA 30096
Toll Free 1-888-DURAVIT
Phone 1-770 931-3575
Fax 1-770 931-8454
info@us.duravit.com
www.duravit.us

