

PRODUCT SPECIFICATIONS

Fontemagna Bridge Countertop Water Dispenser Stainless Steel. Features shall include Ambient Water, Cold Water, Sparkling Water, Touch Screen, UV Light. Electronic touch pad controls. Product shall be Countertop mounted/Freestanding.

Special Features:	Ambient Water, Cold Water, Sparkling Water, Touch Screen, UV Light
Model Type:	Countertop
Material:	Stainless Steel
Dimensions (L x W x H):	14" x 10" x 24"
Approx. Shipping Weight:	35 lbs.
Cooling Technology:	
Inlet Water Line:	
Electrical:	115V/60Hz

Special Note: For use with Carbonation Chiller, DSFBF180K, under-the-counter chilling unit.

- Three water dispensing options: ambient water, cold water, and sparkling water.
- UV Light prohibits bacterial growth on dispense nozzle.
- Drip tray: no drain line required.

INSTALLATION KIT

- Installation and Operating instructions
- CO₂ Regulator
- Water Pressure Regulator
- Elkay WaterSentry[®] Filter and Mounting Bracket
- Additional tubing for connection to water and CO₂
- Requires fittings for connection to water supply



AMERICAN PRIDE. A LIFETIME TRADITION. Like your family, the Elkay family has values and traditions that endure. For almost a century, Elkay has been a family-owned and operated company, providing thousands of jobs that support our families and communities.

Included with Product: Installation Kit

▼ Ships in multiple boxes.

PRODUCT COMPLIANCE

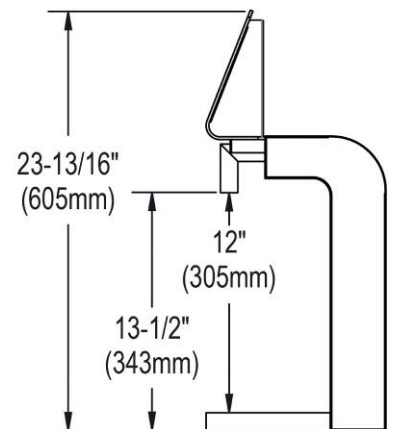
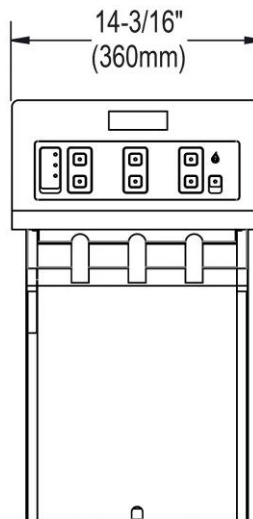
GreenSpec[®]

NSF/ANSI 18 & 372 (lead free)



[Installation Instructions \(PDF\)](#)

[Warranty \(PDF\)](#)



PART: _____ QTY: _____

PROJECT: _____

CONTACT: _____

DATE: _____

NOTES: _____

APPROVAL: _____

In keeping with our policy of continuing product improvement, Elkay reserves the right to change product specifications without notice. Please visit elkay.com for the most current version of Elkay product specification sheets. This specification describes an Elkay product with design, quality, and functional benefits to the user. When making a comparison of other producers' offerings, be certain these features are not overlooked.