



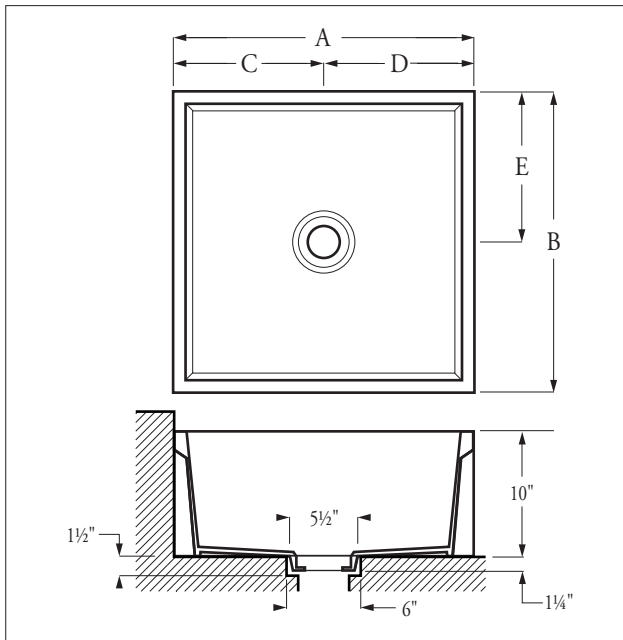
Molded one-piece construction for light weight and easy handling. Supplied with Wedge-Lok™ seal, integral drain and chrome strainer.

**Florestone
Models
MSR-2424/MSR-3624
Molded Mop Receptors**

**Architect's
Specifications**

Furnish and install molded Mop Receptor Model MSR-2424 / MSR-3624 (specify) as manufactured by Florestone Products Co. Molding will be done under heat and pressure using matched metal dies. The unit will be one piece with no seams. Shoulders will be no less than 1" wide and 9½" inside. Receptor will have ribbed underbody and integral drain providing for a no-caulked connection to be 2" or 3" ABS, PVC, cast iron or steel pipe (specify drain size). Drain grid will be 18-gauge stainless steel, flat type, #430.

Molded mop sinks are supplied with Wedge-Lok® seal for use on ABS, PVC, cast iron or steel pipe.



| Model | A | B | C | D | E | WT. |
|----------|-----|-----|-----|-----|-----|-----|
| MSR-2424 | 24" | 24" | 12" | 12" | 12" | 50 |
| MSR-3624 | 36" | 24" | 18" | 18" | 12" | 72 |

Standards:

- I.A.P.M.O. International Association of Plumbing and Mechanical Officials File No. 2646.
- ANSI American National Standards Institute - Specifications Z-124.6.
- HUD/FHA National Specifications UN-73.
- CSA TEST Warnock Hersey Listed: CAN / CSA - B45.0 - CAN / CSA - B45.5



FLORESTONE PRODUCTS CO., INC.

2851 Falcon Drive • Madera, CA 93637
 T. 559.661.4171 • T. 800.446.8827
 F. 559.661.2070 • florestone.com