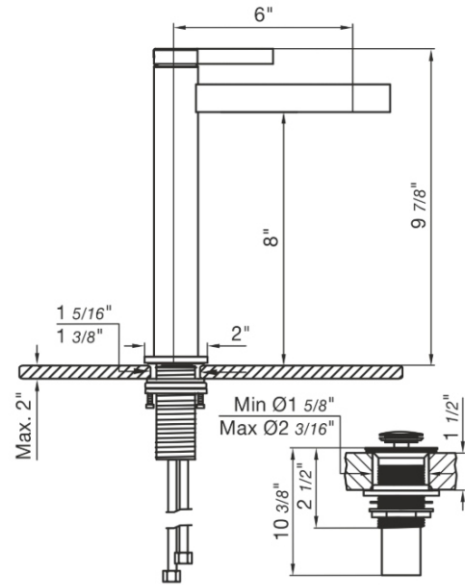


# LOLLIPOP - FV181.01/J2

Short vessel height, single handle lavatory set, with push-down pop-up drain assembly (no lift rod).  
 Monocomando para lavatorios vessel bajos con desagüe "push down".

FRANZ  
VIEGENER



## FEATURES

### CARACTERÍSTICAS

- All brass construction.  
Producto realizado íntegramente en latón.
- Brass valve bodies.  
Cuerpos de válvulas fabricados en latón.
- Stationary spout with recessed aerator device.  
Pico con aireador oculto.
- Flexible SS connectors with sediment screens.  
Flexibles con conectores SS y filtro de sedimento.

## COLOR / FINISHES

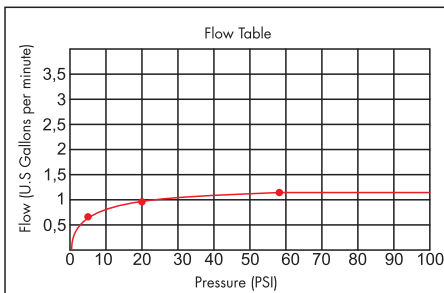
### COLOR / ACABADOS

- |                               |                               |                                       |
|-------------------------------|-------------------------------|---------------------------------------|
| PC<br><i>Polished Chrome.</i> | PN<br><i>Polished Nickel.</i> | BN<br><i>Brushed Nickel.</i>          |
| BG<br><i>Brushed Gold.</i>    | PG<br><i>Polished Gold.</i>   | RG<br><i>Rose Gold.</i>               |
| BK<br><i>Black Chrome.</i>    | FB<br><i>Flat Black.</i>      | UPB<br><i>Unlacked Polished Brass</i> |

## FLOW RATE

### CAUDAL

- Maximum flow rate 1,2 gpm (4,5 l/min).  
Caudal máximo 1,2 gpm (4,5 l/min).



## ITEM DETAILS

### DETALLE DE PRODUCTO

## COMPLIANCE CERTIFICACIONES

