



# FRAME

## Toilet Tissue Holder 3008

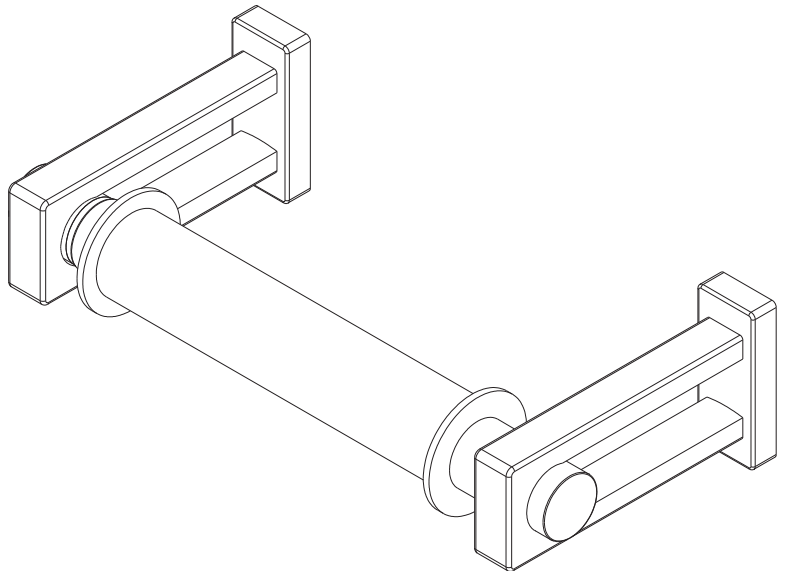
### Features

- Solid brass construction
- Double-post design with spring-loaded, non-separating roller
- Complements Frame product series

### Codes / Standards Compliance

Meets or exceeds the following at date of manufacture:

- All applicable US Federal and State material regulations



### Colors / Finishes

- SN: Satin Nickel
- PC: Polished Chrome

### Specified Model

Model	Description	Colors   Finishes
3008	Toilet Tissue Holder	<input type="checkbox"/> SN <input type="checkbox"/> PC

### Product Specification: Add "Color / Finish" Suffix to Model Number Below.

The Toilet Tissue Holder shall be made of solid brass construction and incorporate a double-post design utilizing a non-separating, spring-loaded roller. Toilet Tissue Holder shall complement motiv Frame product series. Toilet Tissue Holder shall be motiv Model 3008/\_\_\_\_\_.

# 3008

## Product Dimensions *(units are in inches)*

