

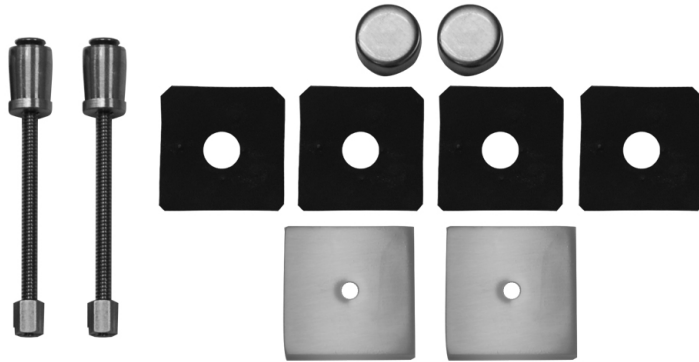
Glass Mounting Kit for H42 Cubix® Front Mount Shower Door Pulls



Model #: H42-GLSKIT-

FEATURES:

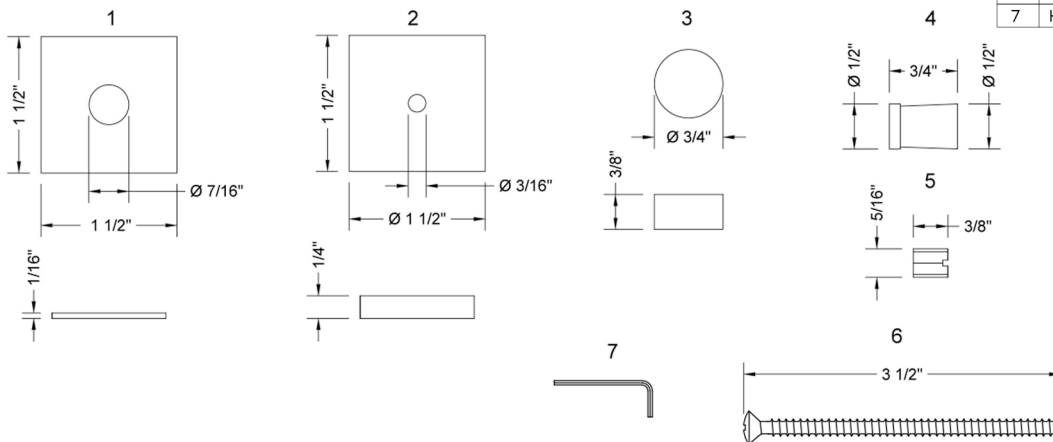
- Can be used as a towel bar, foot rest, or shaving station when mounted horizontally
- Separate glass mounting kit required for front glass shower door handles
- Not to be used as grab bar
- All brass construction, fully polished & plated
- Separate glass mounting kit required for front glass shower door handles



AVAILABLE FINISHES:

Polished Chrome (PCH)	Satin Chrome (SC)	Bronze Umber (BU)
Satin Nickel (SN)	Pewter (PEW)	Caramel Bronze (CB)
Polished Nickel (PN)	Antique Brass (AB)	Antique Copper (ACU)
Oil-Rubbed Bronze (ORB)	Polished Brass (PB)	Polished Copper (PCU)
Vintage Bronze (VB)	Satin Brass (SB)	Rose Gold (RG)
Matte Black (MBK)	Satin Gold (SG)	Polished Gold (PG)
Black Nickel (BKN)	Bombay Gold (BG)	Jewelers Gold (JG)
Europa Bronze (EB)	White (WH)	Sedona Beige (SDB)
Tristan Brass (TB)	Unlacquered Brass (ULB)	Satin Cooper (SCU)

SPECIFICATION DRAWING:



COMPONENT PARTS		QTY.
1	30817-1 SQ. Rubber Washer	4
2	CU-435-ESC. Escutcheon	2
3	Glass-B-Caps	2
4	Metal Sleeves	4
5	5/16" X 3/8" Hex Nut	2
6	Screw 30817-4-0	2
7	Hex Wrench	1