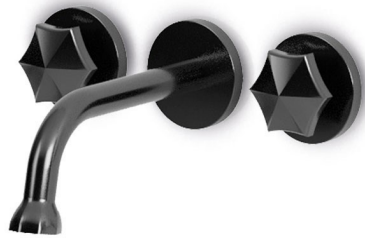



Bloom Wall Basin Mixer

by JEE-O



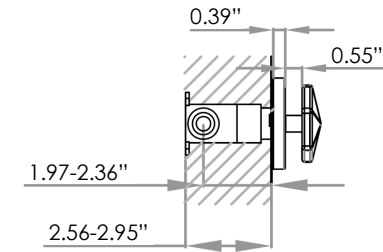
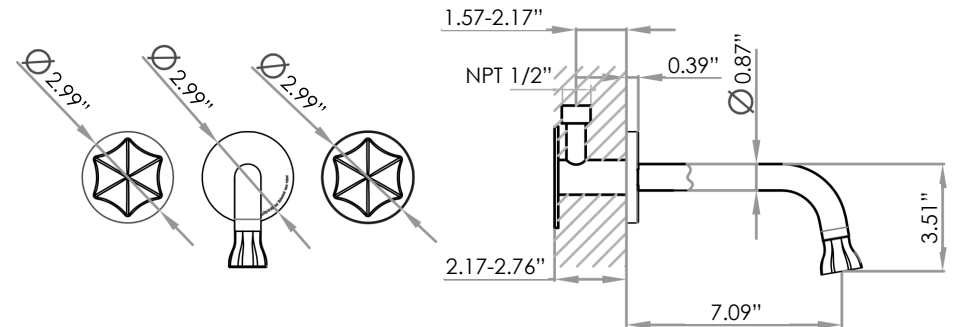
 PVD gun metal
600-1506

SPECIFICATIONS

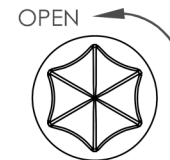
MATERIAL:	304 stainless steel
FEATURES:	two-handle mixer
FLOW RATE:	2.6 GPM / 1.2 GPM in California (adjustable on request)
WEIGHT:	9 lbs
PACKAGE DIMENSIONS:	L 18" x W 11" x H 6"
DELIVERY WEIGHT:	11 lbs
WARRANTY:	2-year limited warranty

MAINTENANCE & CARE

Use a soft cloth with mild soap and water. Avoid all products designed to remove tarnish or rust, or any product containing hydrochloric, hydrofluoric, and/or phosphoric acid or caustic agents. Do not use abrasives.



left hot



right cold

