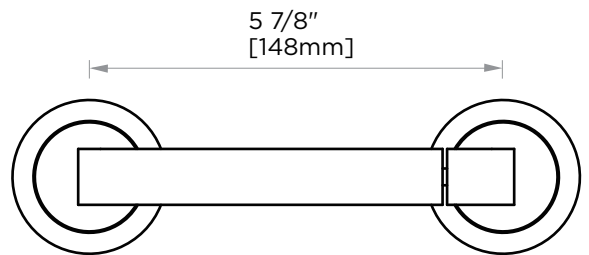




FRANKFURT COLLECTION PIVOT TISSUE HOLDER 313158P



PRODUCT NAME: PIVOT TISSUE
HODLER

PRODUCT CODE: 313158P

MATERIAL: All-brass construction

KEY FEATURES: Transitional design.
Round and straight lines

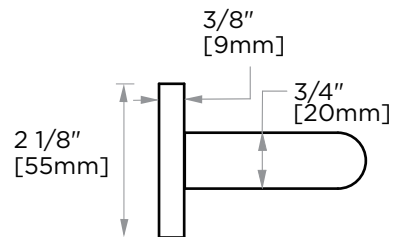
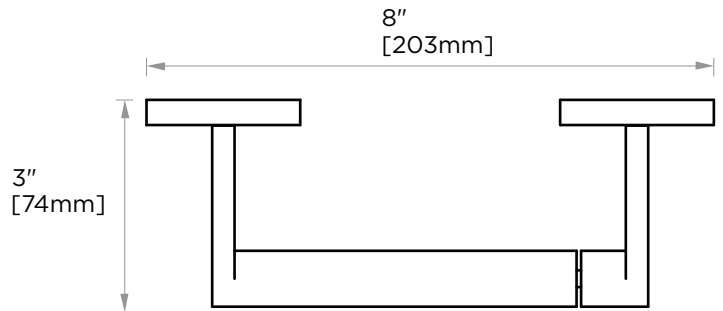
STOCKED FINISHES:

- Polished Chrome (99)
- Brushed Nickel (81)
- Polished Nickel (68)
- Matte Black (48)

SPECIAL FINISHES AVAILABLE: 26 options available.
Please see our website for full list samples

WARRANTY:

Lifetime Limited (Residential Use)
One Year (Commercial Use)



NOTE: Dimensions and specifications are subject to change without notice.