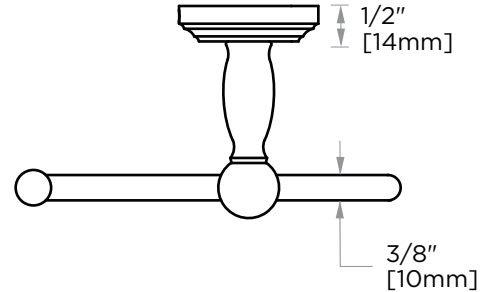


## FLORENCE COLLECTION TISSUE HOLDER 322152



**PRODUCT NAME:** TISSUE HOLDER

**PRODUCT CODE:** 322152

**MATERIAL:** All-brass construction

**KEY FEATURES:** Traditional design.  
Round and elegant style.

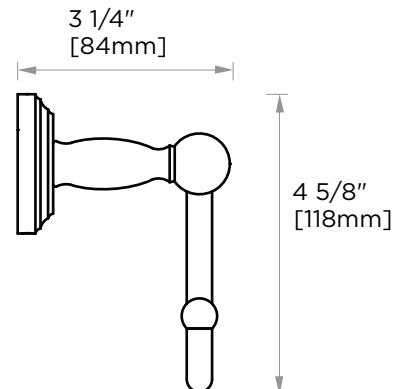
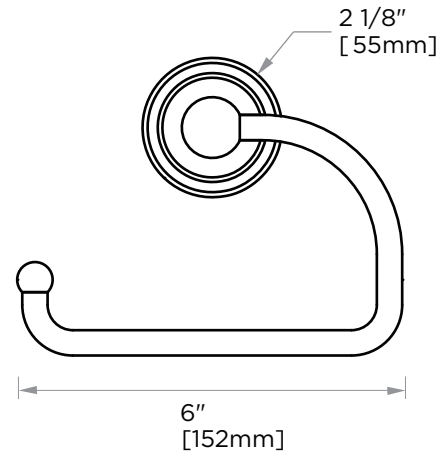
**STOCKED FINISHES:**

- Polished Chrome (99)
- Brushed Nickel (81)
- Polished Nickel (68)
- Matte Black (48)
- New World Bronze (80)
- Polished Brass (72)

**SPECIAL FINISHES AVAILABLE:** 26 options available.  
Please see our website for full list samples

**WARRANTY:**

Lifetime Limited (Residential Use)  
One Year (Commercial Use)



NOTE: Dimensions and specifications are subject to change without notice.