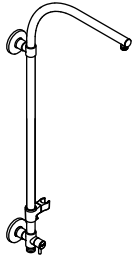


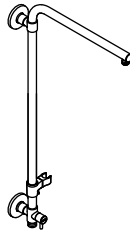
Installation and Care Guide

Shower Column

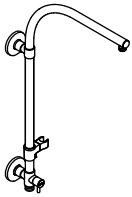
K-45209



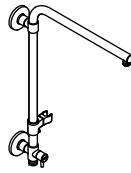
K-45210



K-45211



K-45212

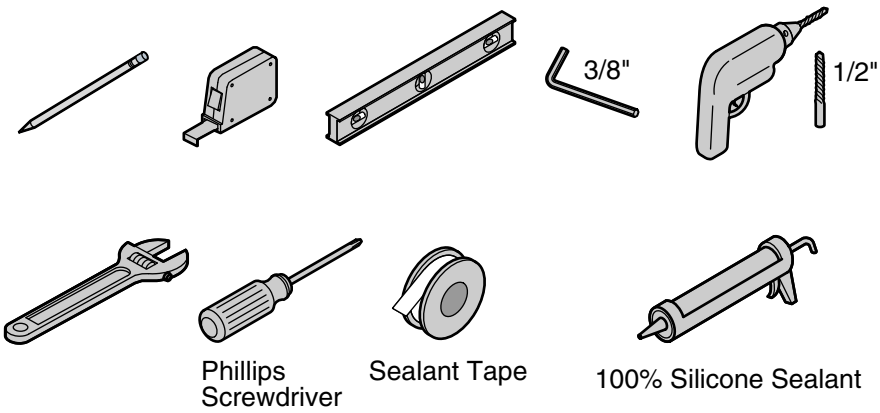


M product numbers are for Mexico (i.e., K-12345M)
Los números de productos seguidos de
M corresponden a México (Ej.
K-12345M)
Français, page "Français-1"
Español, página "Español-1"

THE BOLD LOOK
OF **KOHLER**®

1213116-2-A

Tools and Materials



Before You Begin

NOTE: This guide includes the installation sequence for the shower column only. Install the mixing valve, mixing valve trim, and spout according to the manufacturer's instructions.

NOTICE: Risk of product damage. Do not apply excessive weight or downward force to the shower column.



CAUTION: Risk of property damage. Water leakage may occur if supply piping allows movement. Ensure the supply piping and 1/2"-14 NPT elbow fitting are securely fastened to braces in the stud framing.

NOTE: The showerhead, hose, and handshower are purchased separately.

- Please read all instructions before you begin.
- Observe all local plumbing and building codes.
- Shut off the water supply.
- Inspect the existing supply piping and wall materials. Replace if necessary.

Before You Begin (cont.)

- The shower column is supplied with toggle anchor fasteners for installation onto a finished wall surface. The finished wall thickness must be a minimum of 5/8" (16 mm) and must be adequate in strength. Two toggle anchor fasteners are required per mounting collar.

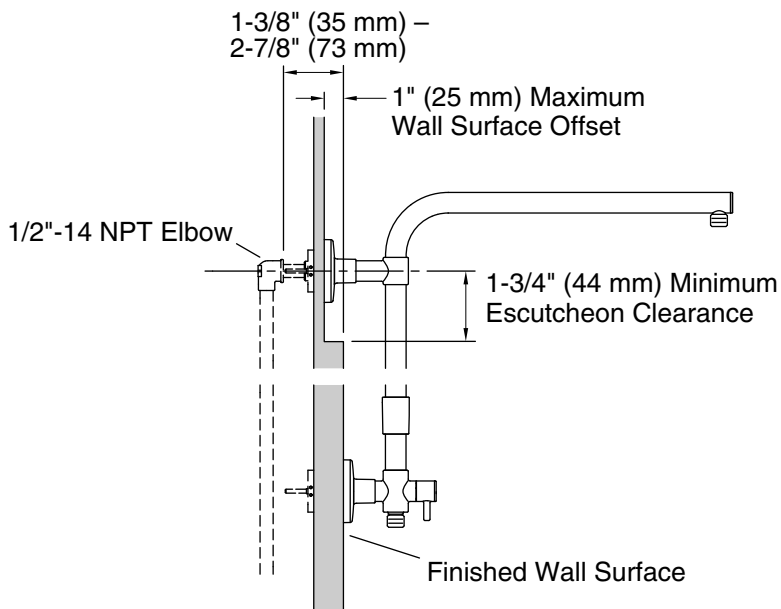
IMPORTANT! If the supplied toggle anchor fasteners are **not** used to install the shower column:

- Ensure that adequate strength wall backing materials and stud bracing are properly positioned behind the finished wall.
- Obtain proper fasteners (not provided) taking into account the type of stud bracing material and thickness of the mounting collar, finished wall, wall backing, and stud bracing.
- Fasteners must be corrosion-resistant and capable of 300 lbs (136 kg) load bearing per fastener.
- A minimum of two fasteners are required per mounting collar.
- Fasteners must be securely anchored into the stud bracing to adequately support the product.

IMPORTANT! For retrofit/remodel installations: Check the existing shower enclosure for adequate clearances before proceeding with the shower column installation. Refer to the Roughing-in for the shower column and showerhead.

Verify the distances between:

- The ceiling and the center of the existing shower arm at the finished wall surface.
- The shower floor and the center of the existing shower arm at the finished wall surface. Ensure sufficient clearance under the showerhead.
- The center of the existing shower arm and the center of the mixing valve trim.



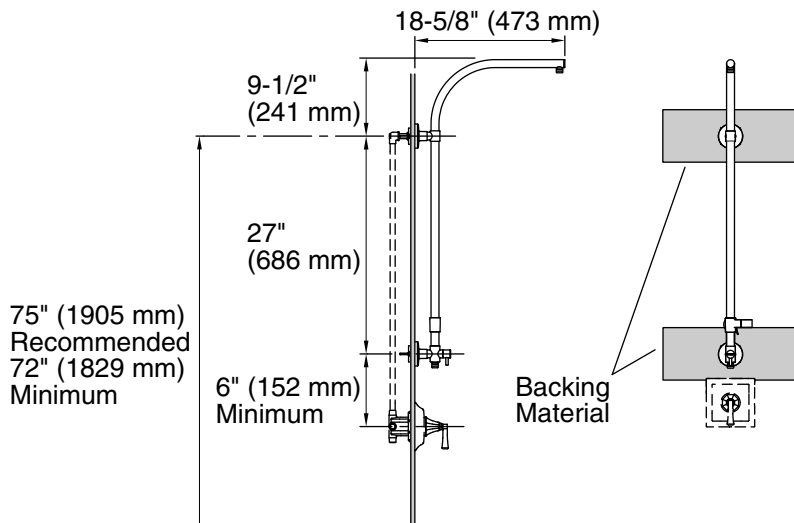
Roughing-In - Upper Supply Connection

- Measure the distance between the 1/2"-14 NPT elbow and the finished wall surface. The distance must be between 1-3/8" (35 mm) and 2-7/8" (73 mm).

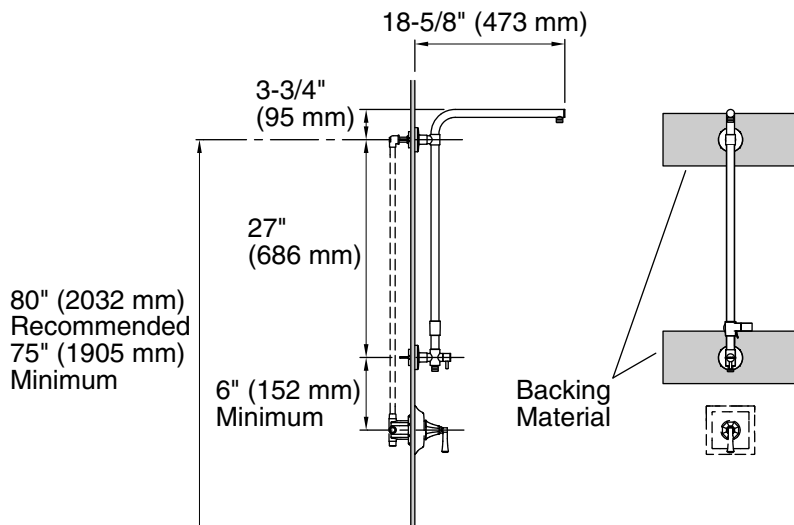
IMPORTANT! The shower column connection will not seal properly if the distance exceeds 2-7/8" (73 mm); see below for the required deep roughing-in kit.

- **If the distance is between 2-7/8" (73 mm) and 4" (102 mm):**
Order the 1194630 Deep Roughing-in Kit.
- **If the distance is less than 1-3/8" (35 mm):** Order the 1187917 Shallow Roughing-in Kit.

K-45209 (Less Showerhead, Handshower, and Hose)

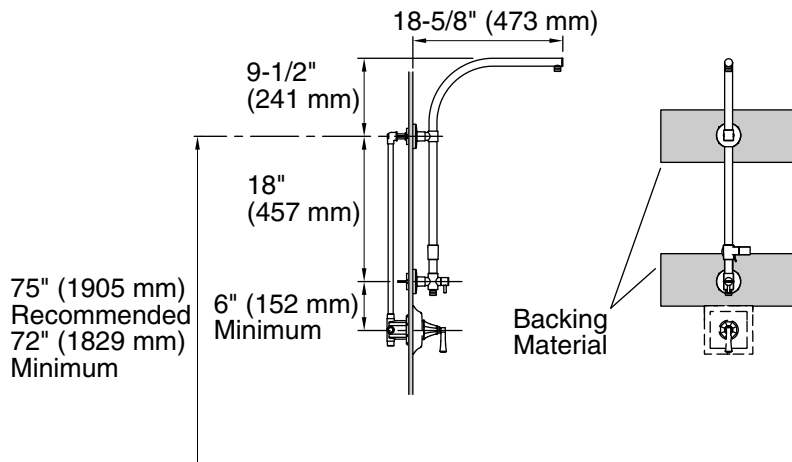


K-45210 (Less Showerhead, Handshower, and Hose)

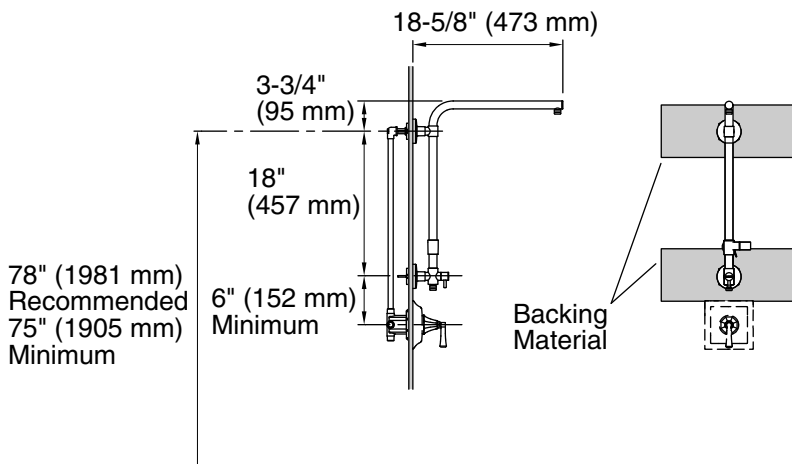


Roughing-In

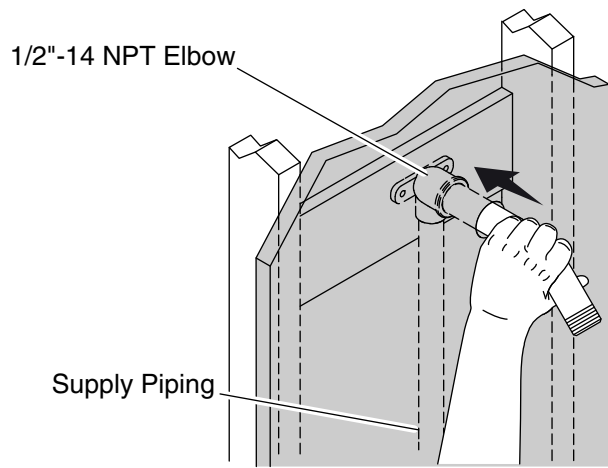
K-45211 (Less Showerhead, Handshower, and Hose)



K-45212 (Less Showerhead, Handshower, and Hose)



Roughing-In



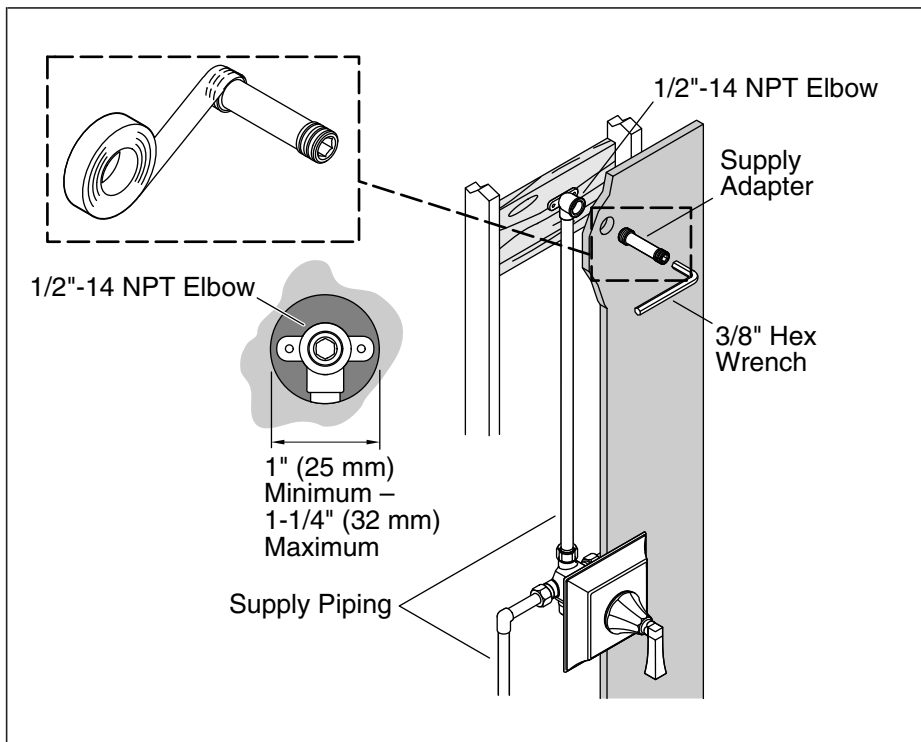
1. Retrofit/Remodel Installation



CAUTION: Risk of property damage. Water leakage may occur if supply piping allows movement. Ensure the supply piping and 1/2"-14 NPT elbow fitting are securely fastened to braces in the stud framing.

IMPORTANT! Check the existing shower enclosure for adequate clearances as described in section "Before You Begin."

- Remove the existing showerhead and shower arm escutcheon.
- Carefully push the existing shower arm toward the finished wall surface.
- Check for inward movement of the supply piping.
- If inward movement is possible, securely fasten the supply piping to braces in the stud framing before beginning the shower column installation.
- Remove the existing shower arm.
- Measure the existing shower arm hole. Ensure that the finished wall material has an upper supply connection hole diameter between 1" (25 mm) minimum and 1-1/4" (32 mm) maximum, and the hole is centered on the outlet of the 1/2"-14 NPT elbow fitting. Repair the wall surfaces if the existing shower arm hole is not centered or exceeds the recommended dimensions.



2. Install the Supply Adapter

For New Construction Installations



CAUTION: Risk of property damage. Water leakage may occur if supply piping allows movement. Ensure the supply piping and 1/2"-14 NPT elbow fitting are securely fastened to braces in the stud framing.

IMPORTANT! This guide includes the installation sequence for the shower column only. Refer to the manufacturer's instructions for installation of the mixing valve, mixing valve trim, and spout.

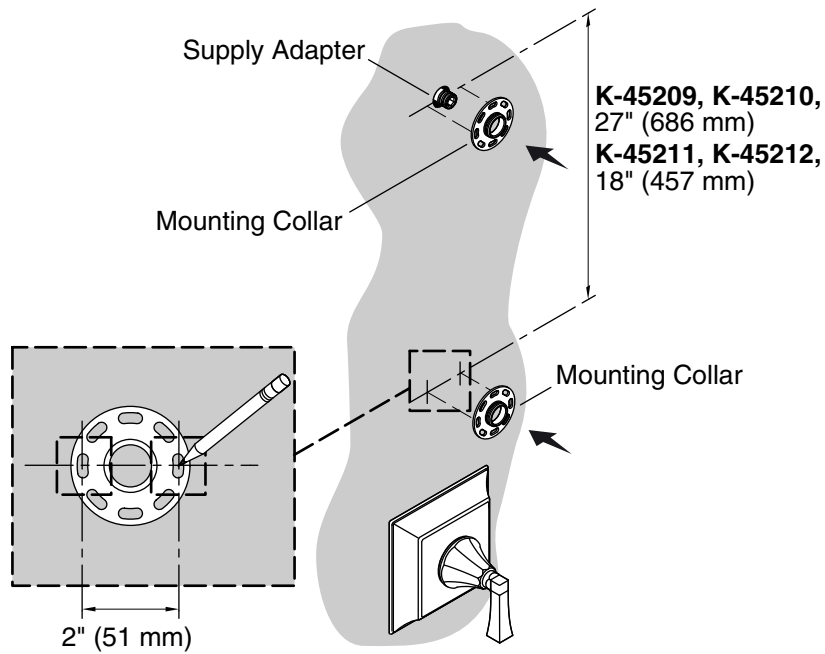
- Rough-in the mixing valve, supply piping, and bath spout connection appropriate for your installation.
- Refer to the "Roughing-in" section in this guide for proper location of the 1/2"-14 NPT elbow fitting inside the wall.
- Ensure that the supply piping and 1/2"-14 NPT elbow fitting are securely fastened to the stud framing.

Install the Supply Adapter (cont.)

- Ensure that the finished wall material has an upper supply connection hole diameter between 1" (25 mm) minimum and 1-1/4" (32 mm) maximum, and the hole is centered on the outlet of the 1/2"-14 NPT elbow fitting.
- **If your supply connection hole diameter is between 1-1/4" (32 mm) and 2-1/4" (57 mm):** Order the 1194302 Large Escutcheon/Mounting Collar Kit.
- Install the finished wall material.
- Install the mixing valve trim and bath spout according to the manufacturer's instructions.

For New Construction and Retrofit Installations

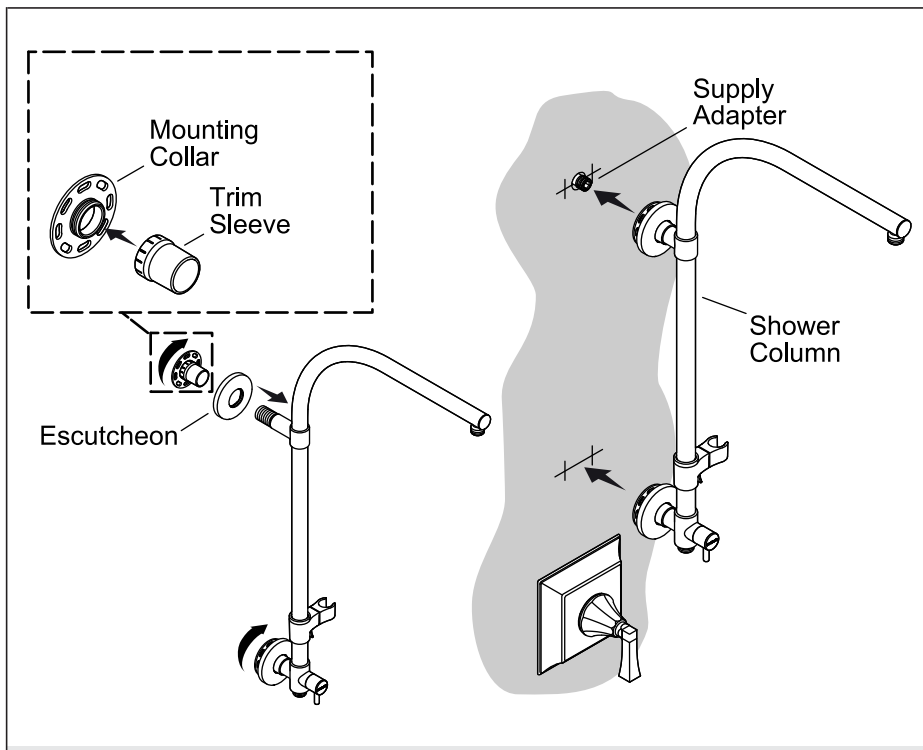
- Apply sealant tape to the supply adapter thread.
- The supply adapter has an internal 3/8" hex socket. Thread the supply adapter into the 1/2"-14 NPT elbow using a 3/8" hex wrench.



3. Mark the Mounting Hole Locations

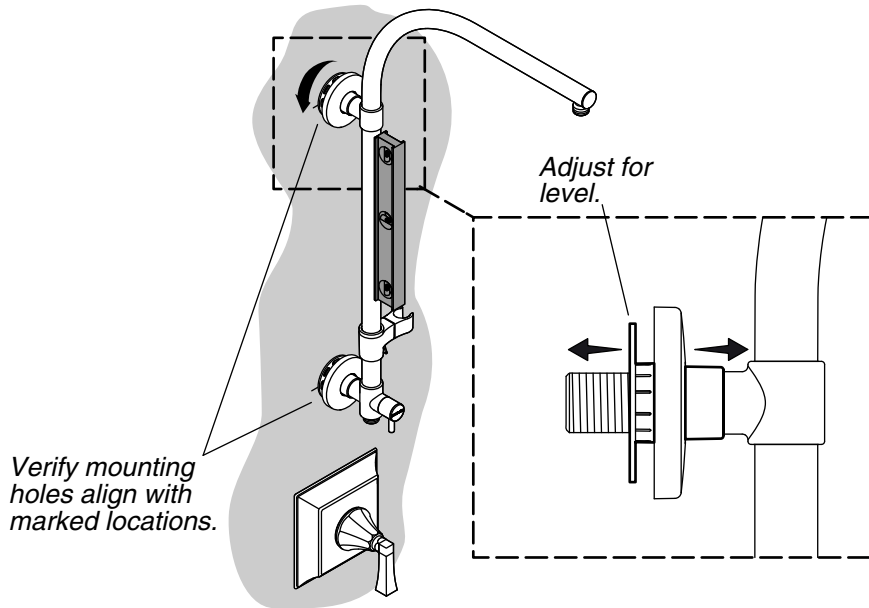
NOTE: The upper mounting collar must be centered on the supply adapter. The distance between the upper and lower mounting collar centers should be 18" (457 mm) or 27" (686 mm) depending on the length of your shower column.

- ❑ Center the mounting collar on the supply adapter. Mark the left and right mounting holes.
- ❑ **For K-45209/K-45210 only:** From the center of the supply adapter, measure down 27" (686 mm) and mark the horizontal measurement with a pencil.
- ❑ **For K-45211/K-45212 only:** From the center of the supply adapter, measure down 18" (457 mm) and mark the horizontal measurement with a pencil.
- ❑ Center the mounting collar on the horizontal line. Measure and mark the left and right mounting holes. Ensure the upper and lower mounting hole locations are level and plumb to one another.
- ❑ **Do not** drill the mounting holes until instructed to do so.



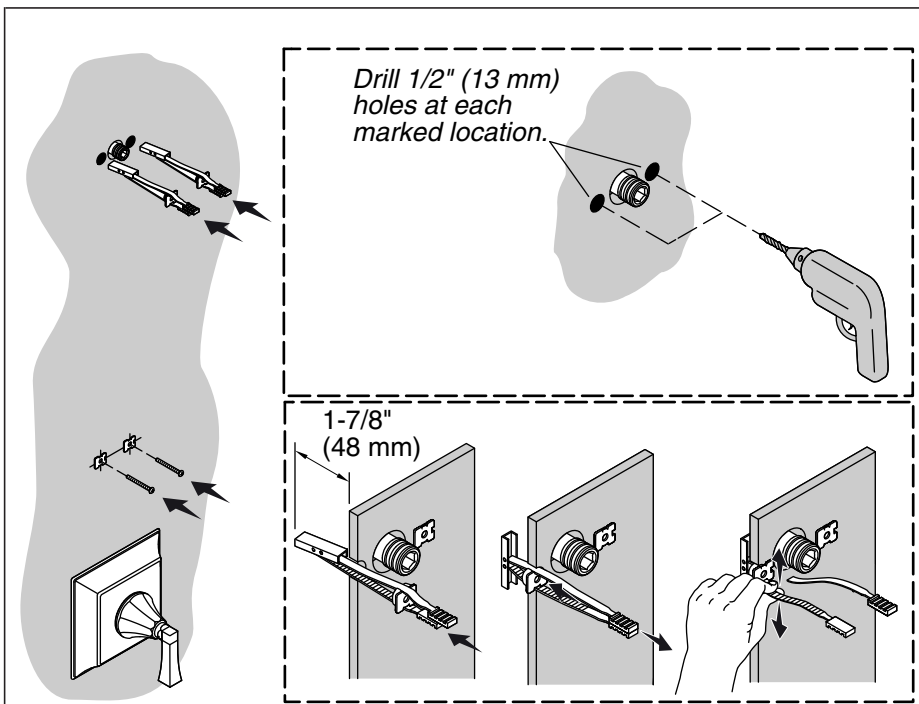
4. Dry Fit the Shower Column

- ❑ Snap a trim sleeve onto each mounting collar.
- ❑ Verify that an O-ring is installed in each escutcheon.
- ❑ Carefully slide an escutcheon onto the upper connection assembly.
- ❑ Thread a mounting collar onto the upper connection assembly.
- ❑ Repeat steps for the lower mounting collar and escutcheon.
- ❑ Carefully slide the shower column onto the supply adapter.
- ❑ Ensure the lower mounting collar is tight against the finished wall.
- ❑ Proceed to the "Plumb the Shower Column" section.



5. Plumb the Shower Column

- Using a level, check the position of the shower column to ensure it is plumb.
- The upper mounting collar is adjustable to account for plumb and wall surface offset. Turn the mounting collar until the shower column is plumb.
- Verify that the mounting collar slots align with the pencil markings on the finished wall. Make any adjustments as needed.
- Remove the shower column from the supply adapter.



6. Install with Anchors

IMPORTANT! If the supplied toggle anchor fasteners are **not** used, refer to "Before You Begin" for fastener requirements.

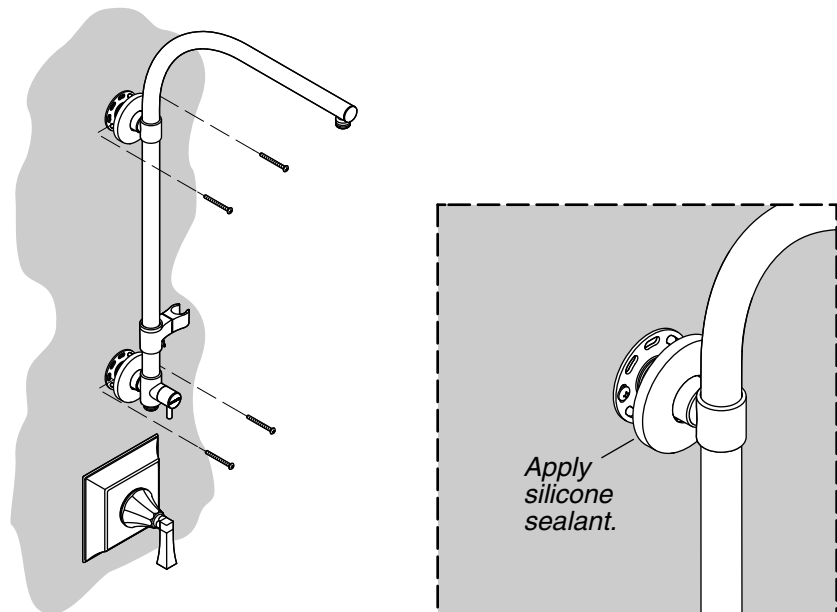
NOTE: Anchor installation requires 1-7/8" (48 mm) minimum clearance behind the wall. The finished wall thickness must be a minimum of 5/8" (16 mm) and must be adequate in strength.

Install the Anchors

- Drill two 1/2" (13 mm) diameter holes for each mounting collar at the pencil markings on the finished wall.
- Hold the metal channel of the anchor flat alongside the plastic straps and slide the channel through the drilled holes.
- Realign the handles of the straps to straighten the channel behind the wall.
- With one hand, pull the finger grips straight out (do not pull at an angle) so that the metal channel rests flush behind the wall.
- Slide the clip along the straps with your other hand until the flange of the clip is flush with the wall.

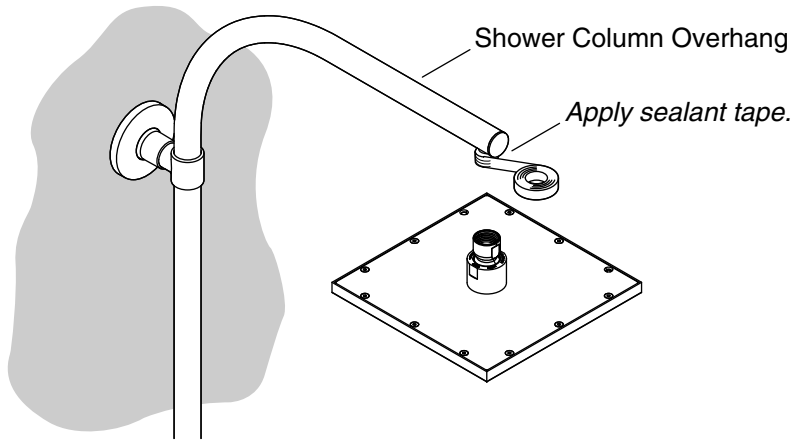
Install with Anchors (cont.)

- Place your thumb between the plastic straps. Wiggle the straps up and down until they snap off at the wall.
- Align the mounting collar with the anchor clips.
- Insert the bolt through the mounting collar and tighten until it is flush with the wall.



7. Secure the Shower Column

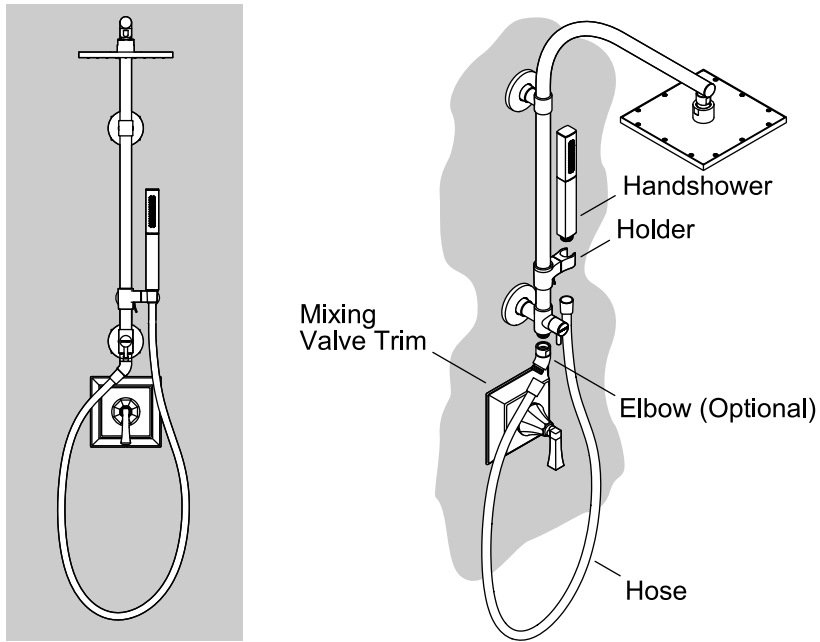
- Reinstall the shower column to the supply adapters.
- Secure the shower column with the four fasteners.
- Apply a bead of silicone sealant to the back edge of each escutcheon.
- Slide the escutcheons over the mounting collars and press the escutcheons tight against the finished wall.
- Wipe away any excess silicone sealant from the escutcheons and finished wall.



8. Install the Showerhead

CAUTION: Risk of product damage. Product damage could occur if the shower column overhang is not carefully supported during the showerhead installation. Do not apply excessive weight or force to the shower column overhang.

- Apply sealant tape to the shower column overhang outlet.
- Carefully thread the showerhead onto the shower column overhang outlet.



9. Install the Handshower

NOTE: Elbow installation is optional and allows the hose to drape around the mixing valve trim. The shower hose can also be installed directly onto the shower column if desired.

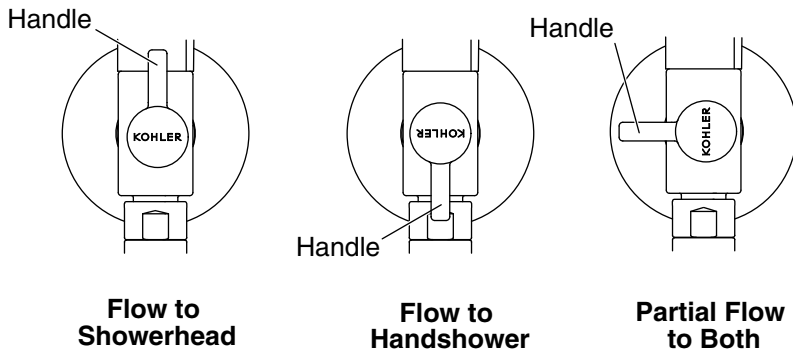
- With the gasket installed, thread the elbow onto the bottom of the shower column.
- With the gasket installed, thread the check valve end of the shower hose to the elbow.
- Position the handshower holder and the elbow opposite each other. This allows the hose to drape around the mixing valve trim.
- Thread the hose through the holder.
- With the screen washer installed, thread the hose to the handshower.
- Place the handshower into the holder.
- Turn on the water.

NOTE: If water does not flow through the handshower or shower hose, the shower hose was incorrectly installed. To correct, reinstall

Install the Handshower (cont.)

the shower hose ensuring the end of the hose containing the check valve is attached to the elbow or shower column.

- Check for leaks.



Using Your Shower Column

NOTE: If water does not flow through the handshower or shower hose, the shower hose was incorrectly installed. To correct, reinstall the shower hose ensuring the end of the hose containing the check valve is attached to the elbow or shower column.

NOTE: This product is not designed to stop water flow. Positioning the handle to the left will result in partial flow from both the showerhead and handshower.

- To use the showerhead, turn the handle to the upward position.
- To use the handshower, turn the handle to the downward position.

Care and Cleaning

For best results, keep the following in mind when caring for your KOHLER product:

- Use a mild detergent such as liquid dishwashing soap and warm water for cleaning. Do not use abrasive cleaners that may scratch or dull the surface.
- Carefully read the cleaner product label to ensure the cleaner is safe for use on the material.
- Always test your cleaning solution on an inconspicuous area before applying to the entire surface.

Care and Cleaning (cont.)

- Do not allow cleaners to sit or soak on the surface.
- Wipe surfaces clean and rinse completely with water immediately after cleaner application. Rinse and dry any overspray that lands on nearby surfaces.
- Use a soft, dampened sponge or cloth. Never use an abrasive material such as a brush or scouring pad to clean surfaces.

For detailed cleaning information and products to consider, visit www.kohler.com/clean. To order Care & Cleaning information, call 1-800-456-4537.

Warranty

KOHLER® Faucet Lifetime Limited Warranty

Kohler Co. warrants its Faucets* manufactured after January 1, 1997, to be leak and drip free during normal residential use for as long as the original consumer purchaser owns his or her home. If the Faucet should leak or drip during normal use, Kohler Co. will, free of charge, mail to the purchaser the cartridge necessary to put the Faucet in good working condition. This warranty applies only to Kohler Faucets installed in the United States of America, Canada or Mexico ("North America").

Kohler Co. also warrants all other aspects of the faucet or accessories ("Faucet")*, (except gold, non-Vibrant®, non-chrome finishes) to be free of defects in material and workmanship during normal residential use for as long as the original consumer purchaser owns his or her home. This warranty applies only to Kohler Faucets installed in North America. If a defect is found in normal residential use, Kohler Co. will, at its election, repair, provide a replacement part or product, or make appropriate adjustment. Damage to a product caused by accident, misuse, or abuse is not covered by this warranty. Improper care and cleaning will void the warranty**. Proof of purchase (original sales receipt) must be provided to Kohler Co. with all warranty claims. Kohler Co. is not responsible for labor charges, installation, or other incidental or consequential costs. In no event shall the liability of Kohler Co. exceed the purchase price of the Faucet.

If the Faucet is used commercially or is installed outside of North America, or if the finish is gold, non-Vibrant or a painted or powder coated color finish, Kohler Co. warrants the Faucet to be free from defects in material and workmanship for one (1) year from the date the product is installed, under Kohler Co.'s standard one-year limited warranty.

Warranty (cont.)

If you believe that you have a warranty claim, contact Kohler Co., either through your Dealer, Plumbing Contractor, Home Center or E-tailer, or by writing Kohler Co., Attn.: Customer Care Center, 444 Highland Drive, Kohler, WI 53044, USA. Please be sure to provide all pertinent information regarding your claim, including a complete description of the problem, the product, model number, color, finish, the date the product was purchased and from whom the product was purchased. Also include your original invoice. For other information, or to obtain the name and address of the service and repair facility nearest you, call 1-800-4-KOHLER (1-800-456-4537) from within the USA and Canada, and 001-800-456-4537 from within Mexico, or visit www.kohler.com within the USA, www.ca.kohler.com from within Canada, or www.mx.kohler.com in Mexico.

KOHLER CO. AND/OR SELLER ARE PROVIDING THESE WARRANTIES IN LIEU OF ALL OTHER WARRANTIES, EXPRESSED OR IMPLIED, INCLUDING BUT NOT LIMITED TO THE IMPLIED WARRANTIES OF MERCHANTABILITY AND FITNESS FOR A PARTICULAR PURPOSE. KOHLER CO. AND/OR SELLER DISCLAIM ALL LIABILITY FOR SPECIAL, INCIDENTAL OR CONSEQUENTIAL DAMAGES. Some states/provinces do not allow limitations of how long an implied warranty lasts or the exclusion or limitation of such damages, so these limitations and exclusions may not apply to you. This warranty gives the consumer specific legal rights. You may also have other rights that vary from state/province to state/province.

This is Kohler Co.'s exclusive written warranty.

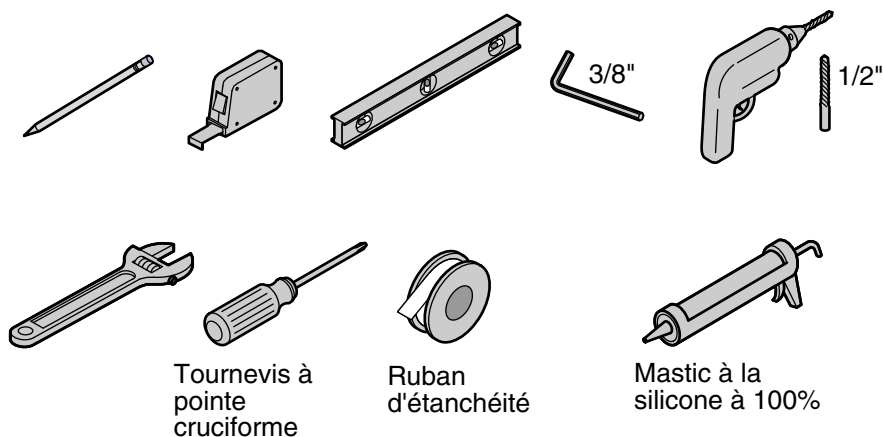
*Trend[®] faucets, MasterShower[®] tower, BodySpa systems and components; WaterHaven[®] tower, systems and components; Tripoint[®] faucets, Polished Gold, non-Vibrant and painted or powder coated finishes, fittings; all items within the "Fixture Related" section of the Kohler Faucets Price Book, drains, Duostrainer[®] sink strainers, soap/lotion dispensers, Moxie[™] Wireless Speaker; and faucets used in commercial settings, and outside North America, are covered by Kohler Co.'s one-year limited warranty.

**Never use cleaners containing abrasive cleansers, ammonia, bleach, acids, waxes, alcohol, solvents or other products not recommended for chrome. This will void the warranty.

Guide d'installation et d'entretien

Colonne de douche

Outils et matériaux



Avant de commencer

REMARQUE: Ce guide inclut la séquence d'installation pour la colonne de douche seulement. Installer le robinet mélangeur, la garniture du robinet mélangeur et le bec conformément aux instructions du fabricant.

AVIS: Risque d'endommagement du produit. Ne pas appliquer de poids excessif ou de force vers le bas sur la colonne de la douche.



ATTENTION: Risque de dommages matériels. Une fuite d'eau peut se produire si la tuyauterie d'arrivée peut bouger. S'assurer que la tuyauterie d'arrivée et le raccord coudé NPT 1/2"-14 sont solidement fixés aux renforts dans l'ossature.

REMARQUE: La pomme de douche, le tuyau et la douchette sont vendus **séparément**.

- Lire toutes les instructions avant de commencer.
- Respecter tous les codes de plomberie et de bâtiment locaux.
- Couper l'arrivée d'eau.

Avant de commencer (cont.)

- Inspecter la tuyauterie d'arrivée existante ainsi que les matériaux des murs. Remplacer si nécessaire.
- La colonne de la douche est fournie avec des chevilles d'ancrage à bascule pour une installation sur une surface de mur fini. La finition murale doit un minimum de 5/8" (16 mm) d'épaisseur et être de résistance suffisante. Deux chevilles d'ancrage à bascule sont requises par collier de fixation.

IMPORTANT! Si les chevilles d'ancrage à bascule fournies ne sont **pas** utilisées pour installer la colonne de la douche:

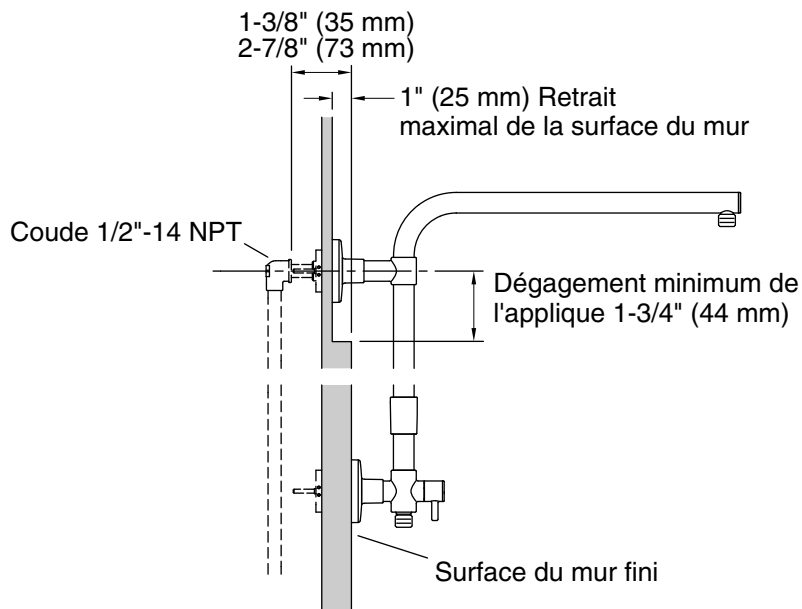
- S'assurer que les matériaux de renfort de mur sont d'une résistance suffisante et que le renfort des montants sont bien positionnés derrière la finition murale.
- Obtenir de la visserie adaptée (non fournie) en tenant compte du type de matériau de renfort de montants et de l'épaisseur du collier de fixation, de la finition murale, du renfort de mur et du support de montants.
- Les dispositifs d'attache doivent résister à la corrosion et doivent être capables de supporter une charge de 300 lb (136 kg) par dispositif d'attache.
- Deux dispositifs d'attache au minimum sont requis par collier de fixation.
- Les dispositifs d'attache doivent être bien ancrés dans le renfort des montants pour supporter le produit de manière adéquate.

IMPORTANT! Pour les installations rétroactives/de remodelage:

Inspecter l'encadrement de la douche pour vérifier que les dégagements sont adéquats avant de continuer l'installation de la colonne de douche. Se reporter à la section sur le raccordement pour la colonne de douche et la pomme de douche.

Vérifier les distances entre:

- le plafond et le centre du bras de douche existant au niveau de la surface de mur fini.
- Le plancher de la douche et le centre du bras de douche existant au niveau de la surface de mur fini. S'assurer que le dégagement est suffisant sous la pomme de douche.
- Le centre du bras de douche existant et le centre de la garniture du robinet mélangeur.



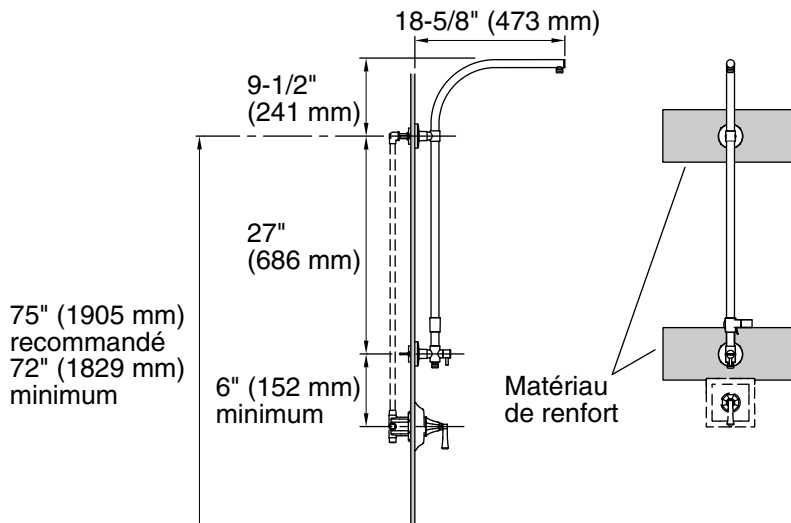
Raccordement - Branchement d'arrivée supérieur

- Mesurer la distance entre le coude NPT 1/2"-14 NPT et la surface de mur fini. La distance doit se trouver entre 1-3/8" (35 mm) et 2-7/8" (73 mm).

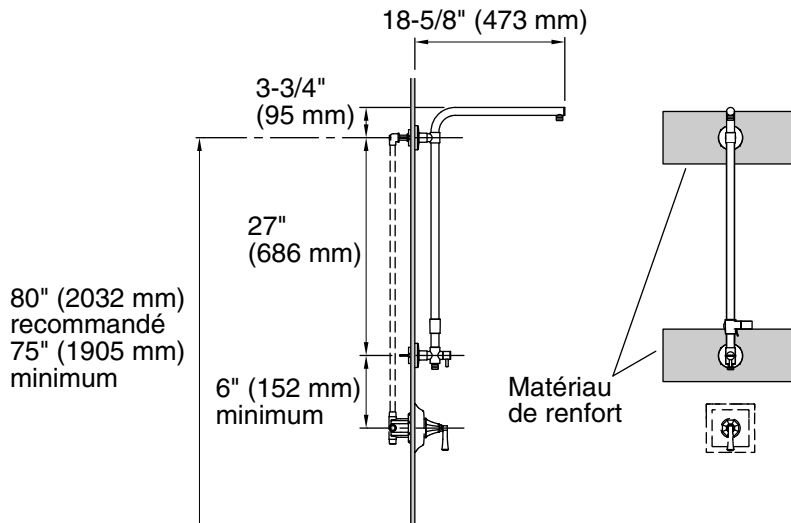
IMPORTANT! La connexion de la colonne de douche ne se scelle pas correctement si la distance dépasse 2-7/8" (73 mm); voir ci-dessous pour le kit de raccordement profond requis.

- **Si la distance est comprise entre 2-7/8" (73 mm) et 4" (102 mm):** Commander le kit de raccordement profond 1194630.
- **Si la distance est inférieure à 1-3/8" (35 mm):** Commander le kit de raccordement de faible profondeur 1187917.

K-45209 (sans pomme de douche, sans douchette et sans tuyau)

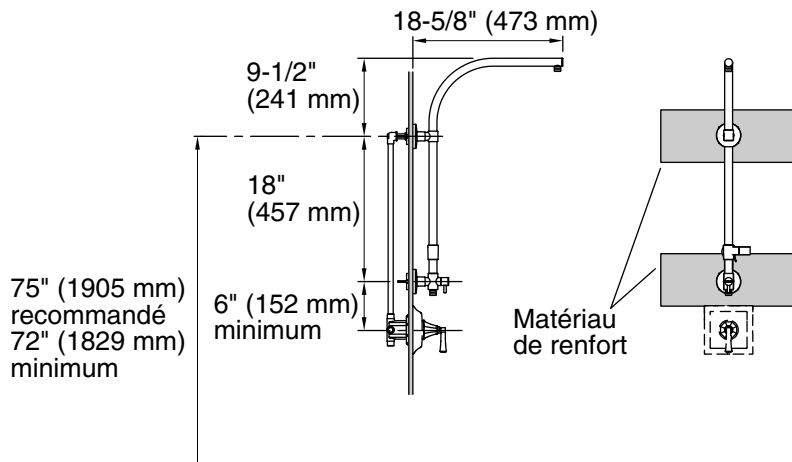


K-45210 (sans pomme de douche, sans douchette et sans tuyau)

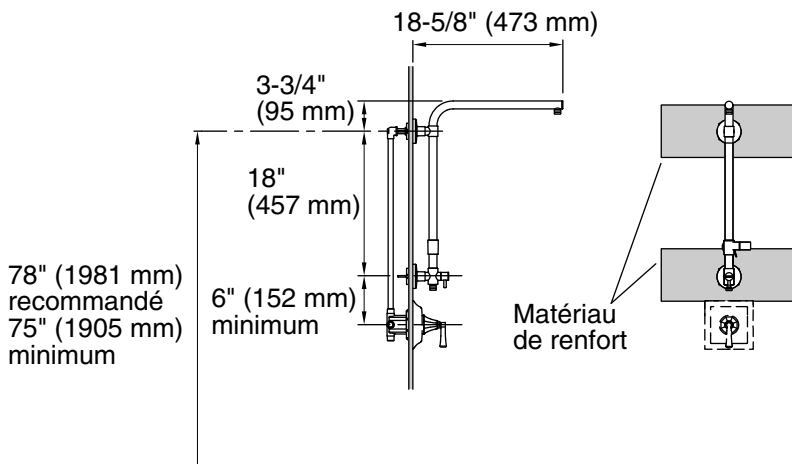


Plan de raccordement

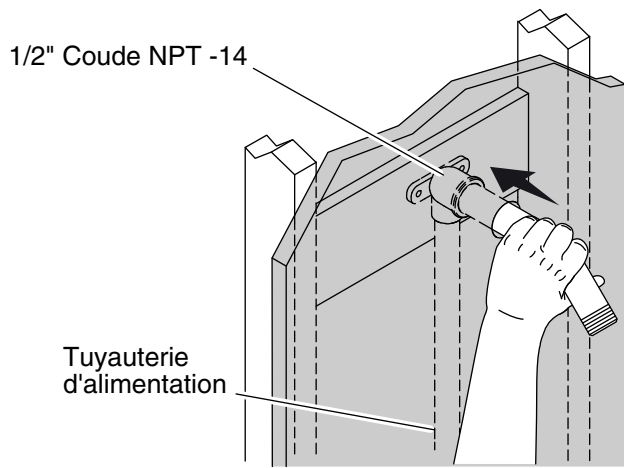
K-45211 (sans pomme de douche, sans douchette et sans tuyau)



K-45212 (sans pomme de douche, sans douchette et sans tuyau)



Plan de raccordement



1. Installation rétroactive/de remodelage



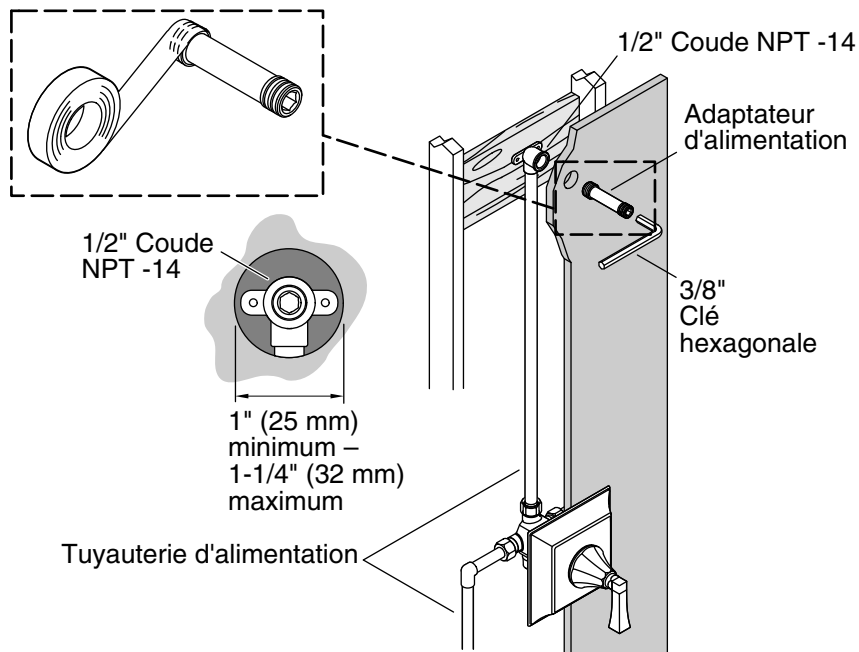
ATTENTION: Risque de dommages matériels. Une fuite d'eau peut se produire si la tuyauterie d'arrivée peut bouger. S'assurer que la tuyauterie d'arrivée et le raccord coudé NPT 1/2"-14 sont solidement fixés aux renforts dans l'ossature.

IMPORTANT! Vérifier que l'encadrement de douche existant comprend les dégagements adéquats tel que décrit dans la section "Avant de commencer."

- Retirer la pomme de douche et l'applique de bras de douche existants.
- Pousser avec précaution le bras de douche existant vers la surface de mur fini.
- Essayer de détecter un mouvement du tuyau d'arrivée vers l'intérieur.
- Si le mouvement vers l'intérieur est possible, sécuriser le tuyau d'arrivée sur les renforts dans l'ossature avant de commencer l'installation de la colonne de douche.
- Retirer le bras de douche existant.

Installation rétroactive/de remodelage (cont.)

- Mesurer le trou du bras de douche existant. S'assurer que le matériau de finition murale comprend un trou de raccordement d'arrivée supérieur d'un diamètre compris entre 1" (25 mm) minimum et 1-1/4" (32 mm) maximum et que le trou est centré sur la sortie du raccord coudé NPT 1/2"-14. Réparer les surfaces de mur si le trou du bras de douche existant n'est pas centré ou s'il dépasse les dimensions recommandées.



2. Installer l'adaptateur d'arrivée

Pour des installations de nouvelles constructions



ATTENTION: Risque de dommages matériels. Une fuite d'eau peut se produire si la tuyauterie d'arrivée peut bouger. S'assurer que la tuyauterie d'arrivée et le raccord coudé NPT 1/2"-14 sont solidement fixés aux renforts dans l'ossature.

IMPORTANT! Ce guide inclut la séquence d'installation pour la colonne de douche seulement. Se reporter aux instructions du fabricant pour l'installation du robinet mélangeur, de la garniture du robinet mélangeur et du bec.

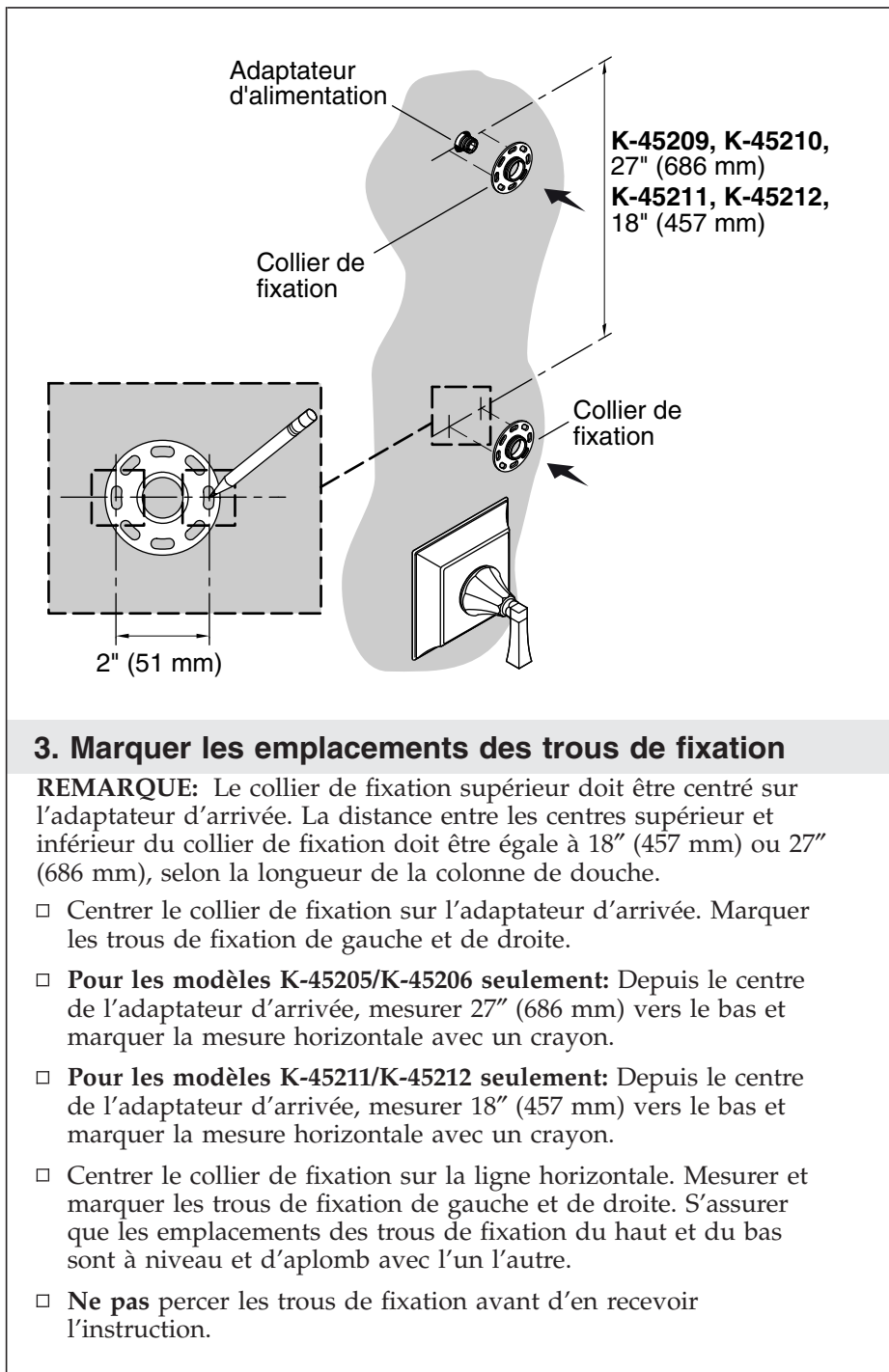
- Raccorder le robinet mélangeur, le tuyau d'arrivée et la connexion du bec de la baignoire appropriés pour l'installation.
- Se reporter à la section "Plan de raccordement" dans ce guide pour trouver l'emplacement approprié du raccord coudé NPT 1/2"-14 à l'intérieur du mur.
- S'assurer que la tuyauterie d'arrivée et le raccord coudé NPT 1/2"-14 sont solidement fixés à l'ossature.

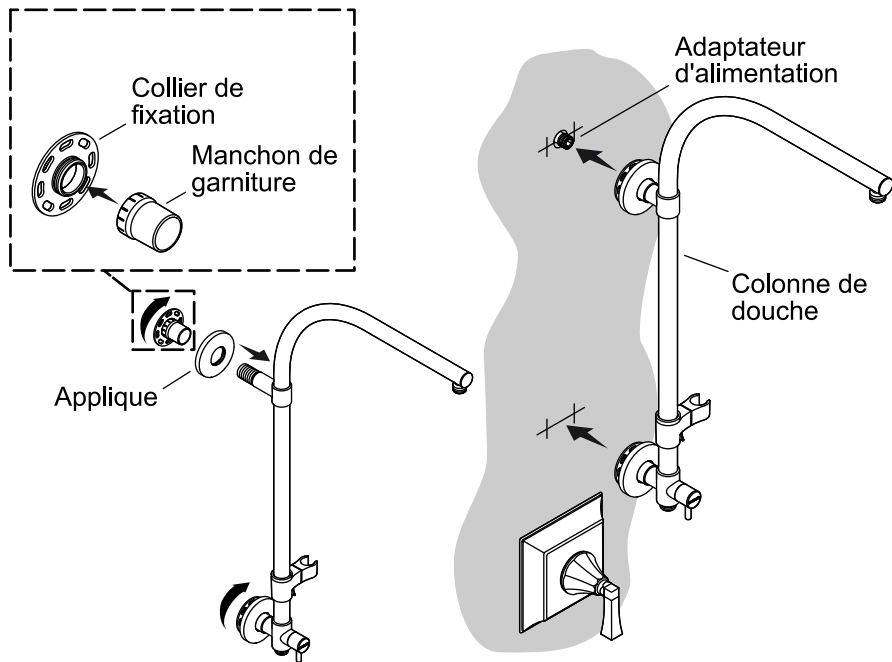
Installer l'adaptateur d'arrivée (cont.)

- S'assurer que le matériau de finition murale comprend un trou de raccordement d'arrivée supérieur d'un diamètre compris entre 1" (25 mm) minimum et 1-1/4" (32 mm) maximum et que le trou est centré sur la sortie du raccord coudé NPT 1/2"-14.
- **Si le diamètre du trou de raccordement d'arrivée est compris entre 1-1/4" (32 mm) et 2-1/4" (57 mm):** Commander le kit de collier de fixation/d'applique grande taille 1194302.
- Installer le matériau de la finition murale.
- Installer la garniture du robinet mélangeur et le bec de la baignoire conformément aux instructions du fabricant.

Pour les installations de nouvelle construction et rétroactives

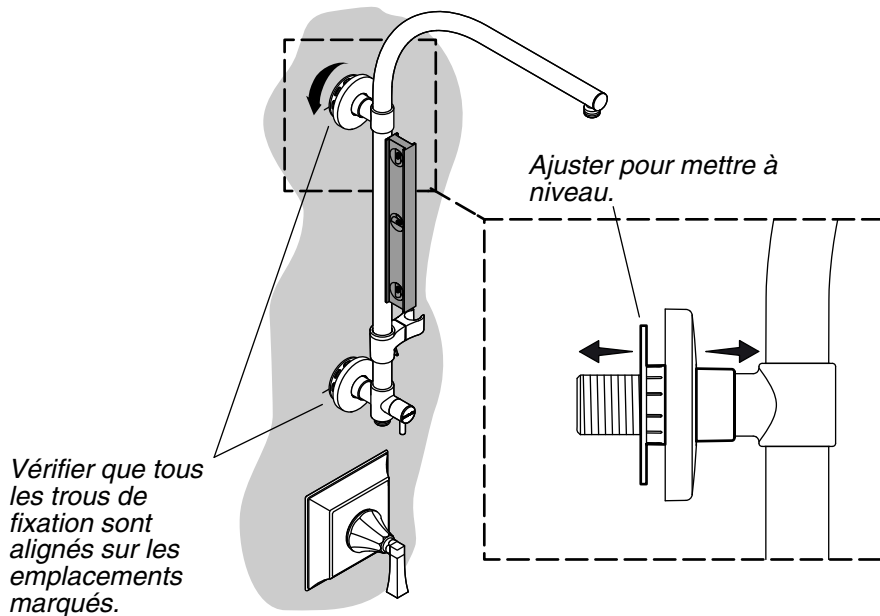
- Appliquer un ruban d'étanchéité sur le filet de l'adaptateur d'arrivée.
- L'adaptateur d'arrivée comporte une douille à six pans creux interne de 3/8". Enfiler l'adaptateur d'arrivée dans le coude NPT 1/2"-14 en utilisant une clé hexagonale de 3/8".





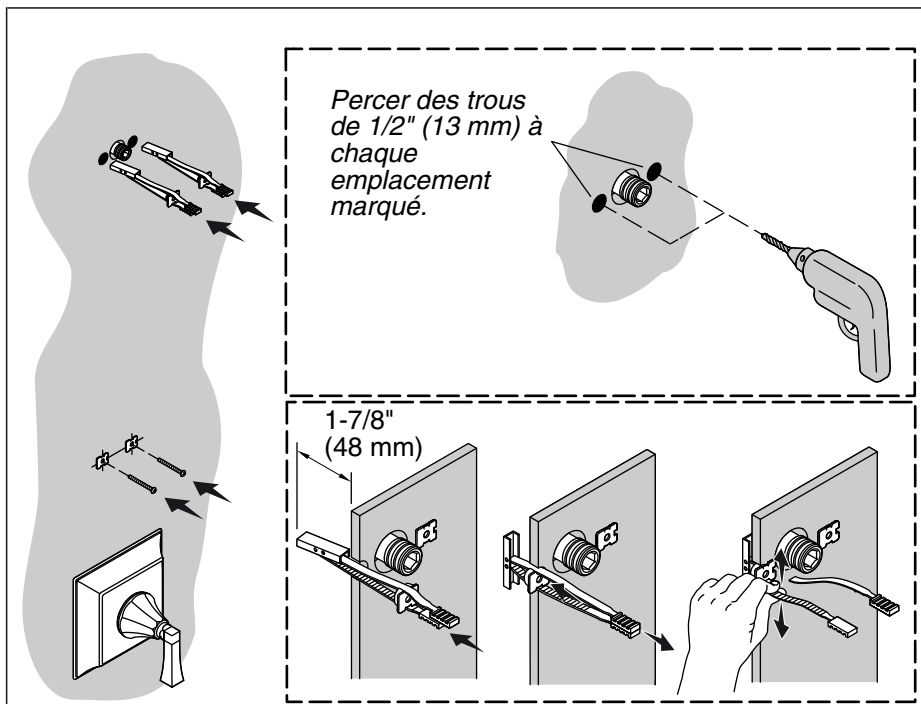
4. Adapter la colonne de la douche à sec

- Enclencher un manchon de garniture sur chaque collier de fixation.
- Vérifier qu'un joint torique est installé dans chaque applique.
- Faire glisser avec précaution une applique sur la connexion supérieure.
- Enfiler un collier de fixation sur la connexion supérieure.
- Répéter les étapes pour le collier de fixation inférieur et l'applique.
- Enfiler la colonne de douche avec précaution sur l'adaptateur d'arrivée.
- S'assurer que le collier de fixation inférieur est bien ajusté contre le mur fini.
- Passer à la section "Mettre la colonne de douche d'aplomb".



5. Mettre la colonne de douche d'aplomb

- Utiliser un niveau pour vérifier la position de la colonne de la douche afin d'assurer qu'elle est d'aplomb.
- Le collier de fixation supérieur est réglable pour compenser l'écart de verticalité et le retrait de la surface du mur. Tourner le collier de fixation jusqu'à ce que la colonne de la douche soit d'aplomb.
- Vérifier que les fentes du collier de fixation sont alignées avec les marques du crayon sur le mur fini. Effectuer les réglages nécessaires.
- Retirer la colonne de la douche de l'adaptateur d'arrivée.



6. Installer avec des dispositifs d'ancrage

IMPORTANT! Si les chevilles d'ancrage à bascule fournies ne sont pas utilisées, se reporter à la section "Avant de commencer" en ce qui concerne les dispositifs d'attache requis.

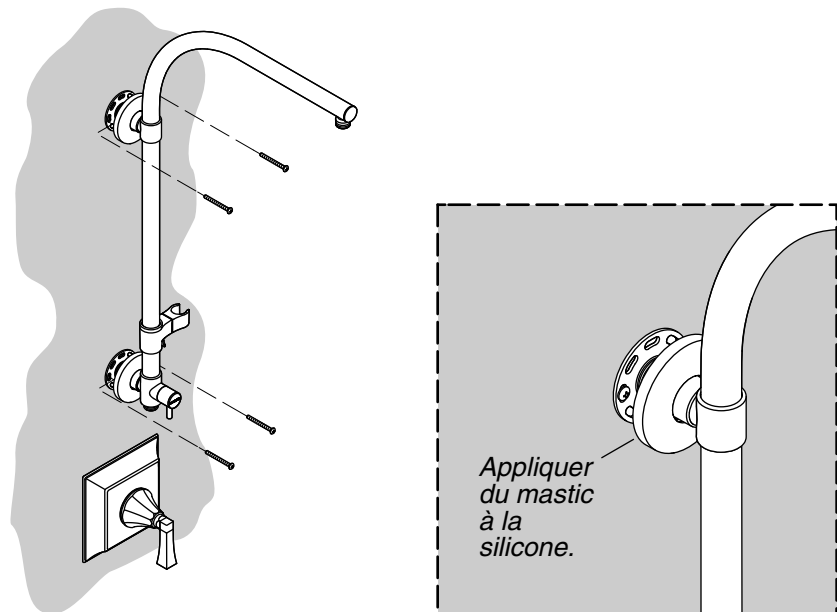
REMARQUE: L'installation des dispositifs d'ancrage exige un dégagement minimum de 1-7/8" (48 mm) à l'arrière du mur. La finition murale doit un minimum de 5/8" (16 mm) d'épaisseur et être de résistance suffisante.

Installer les dispositifs d'ancrage

- Percer deux trous d'un diamètre de 1/2" (13 mm) pour chaque collier de fixation au niveau des marques de crayon sur le mur fini.
- Tenir le canal en métal du dispositif d'ancrage à plat le long des sangles en plastique et faire glisser le canal à travers les trous percés.
- Réaligner les poignées des sangles pour redresser le canal à l'arrière du mur.

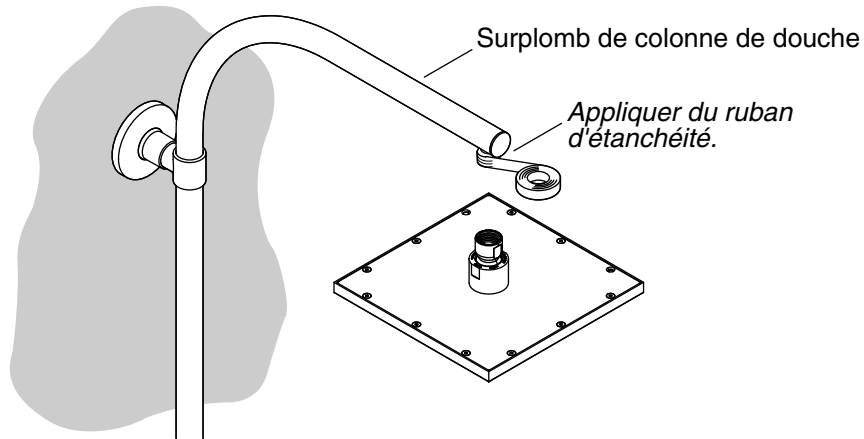
Installer avec des dispositifs d'ancrage (cont.)

- D'une main, tirer les brides pour les doigts tout droit pour les faire sortir (ne pas tirer en angle) de sorte que le canal en métal soit à ras de l'arrière du mur.
- Faire glisser le clip le long des sangles avec l'autre main, jusqu'à ce que la bride du clip soit à ras du mur.
- Placer le pouce entre les sangles en plastique. Bouger les sangles vers le haut et vers le bas, jusqu'à ce qu'elles se dégagent du mur.
- Aligner le collier de fixation avec les clips des dispositifs d'ancrage.
- Insérer le boulon à travers le collier de fixation et serrer jusqu'à ce qu'il soit à ras du mur.



7. Sécuriser la colonne de la douche

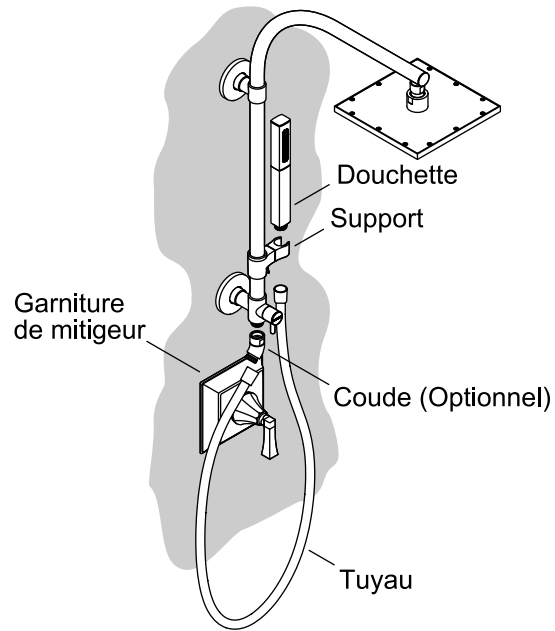
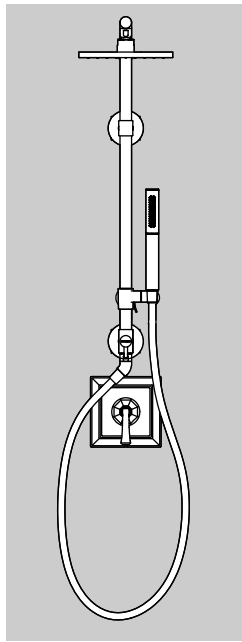
- Remonter la colonne de la douche sur les adaptateurs d'arrivée.
- Sécuriser la colonne de la douche avec les quatre dispositifs d'attache.
- Appliquer un boudin de mastic à la silicone sur le bord arrière de chaque applique.
- Enfiler glisser les appliques sur les colliers de fixation et bien appuyer les appliques contre le mur fini.
- Essuyer tout excès de mastic à la silicone des appliques et du mur fini.



8. Poser la pomme de douche

ATTENTION: Risque d'endommagement du produit. Le produit pourrait subir des dommages si le surplomb de la colonne de douche n'est pas supporté avec soin pendant l'installation de la pomme de douche. Ne pas appliquer de poids ou de force excessifs sur le surplomb de la colonne de la douche.

- Appliquer du ruban d'étanchéité sur la sortie coudée de la colonne de douche.
- Enfiler avec soin la pomme de douche sur la sortie du surplomb de la colonne de la douche.



9. Installer la douchette

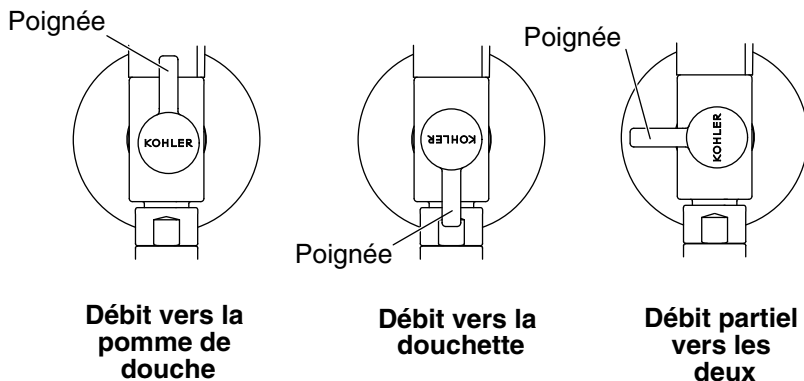
REMARQUE: La pose d'un coude est facultative mais permet de draper le tuyau autour de la garniture du robinet mélangeur. Le tuyau de la douche peut également être installé directement sur la colonne de la douche si souhaité.

- Avec le joint en place, visser le coude sur le bas de la colonne de la douche.
- Avec le joint en place, visser le côté clapet du tuyau de douche sur le coude.
- Positionner le support de la douchette et le coude à l'opposé de l'un l'autre. Ceci permet de draper le tuyau autour de la garniture du robinet mélangeur.
- Enfiler le tuyau à travers le support.
- La rondelle à grille étant en place, visser le tuyau sur la douchette.
- Placer la douchette dans le support.
- Ouvrir l'eau.

Installer la douchette (cont.)

REMARQUE: Si l'eau ne coule pas à travers la douchette ou le tuyau de la douche, ce dernier n'a pas été installé correctement. Pour rectifier, réinstaller le tuyau de la douche en s'assurant que l'extrémité du tuyau qui comprend le clapet de non retour est attachée sur le coude ou la colonne de la douche.

- Vérifier l'étanchéité.



Utilisation de la colonne de douche

REMARQUE: Si l'eau ne coule pas à travers la douchette ou le tuyau de la douche, ce dernier n'a pas été installé correctement. Pour rectifier, réinstaller le tuyau de la douche en s'assurant que l'extrémité du tuyau qui comprend le clapet de non retour est attachée sur le coude ou la colonne de la douche.

REMARQUE: Ce produit n'est pas destiné à arrêter le débit de l'eau. Le positionnement de la poignée sur la gauche résulte en débit partiel en provenance de la pomme de douche et de la douchette.

- Pour utiliser la pomme de douche, tourner la poignée en position vers le haut.
- Pour utiliser la douchette, tourner la poignée en position vers le bas.

Entretien et nettoyage

Pour obtenir les meilleurs résultats possibles, prendre ce qui suit en considération lors de l'entretien de votre produit KOHLER:

- Utiliser un détergent doux comme du liquide pour vaisselle et de l'eau chaude pour nettoyer. Ne pas utiliser de nettoyeurs abrasifs qui pourraient rayer ou ternir la surface.
- Lire l'étiquette du produit de nettoyage avec le plus grand soin pour assurer que celui-ci peut être utilisé sans danger sur le matériau.

Entretien et nettoyage (cont.)

- Toujours tester la solution de nettoyage sur une surface non visible avant de l'appliquer sur l'ensemble de la surface.
- Ne pas laisser les nettoyants reposer ou tremper sur la surface.
- Essuyer les surfaces et rincer complètement avec de l'eau immédiatement après l'application du nettoyant. Rincer et sécher tout éclaboussement sur les surfaces avoisinantes.
- Utiliser une éponge ou un chiffon doux et humide. Ne jamais utiliser de matériau abrasif tel qu'une brosse ou une éponge à récurer pour nettoyer les surfaces.

Pour obtenir des informations détaillées sur le nettoyage et les produits à considérer, consulter le site www.kohler.com/clean. Pour commander des informations sur l'entretien & le nettoyage, appeler le 1-800-456-4537.

Garantie

Garantie limitée à vie du robinet KOHLER®

Kohler Co. garantit que les robinets* fabriqués après le 1er janvier 1997 ne fuient pas et ne gouttent pas lors d'une utilisation domestique normale, aussi longtemps que l'acquéreur d'origine demeure propriétaire de son domicile. Si le robinet goutte ou présente des fuites lors d'une utilisation normale, Kohler Co. enverra par courrier à l'acheteur, sans frais, la cartouche nécessaire pour réparer le robinet. La présente garantie s'applique uniquement aux robinets Kohler installés aux États-Unis, au Canada ou au Mexique ("Amérique du Nord").

Kohler Co. garantit également toutes les autres caractéristiques du robinet ou des accessoires ("Robinet")*, (à l'exception des finitions dorées, non-Vibrant®, non chromées) contre tout vice de matériau et de fabrication lors d'une utilisation domestique normale, aussi longtemps que l'acquéreur d'origine demeure propriétaire de son domicile. La présente garantie s'applique uniquement aux robinets Kohler installés en Amérique du Nord. Si un vice est décelé lors d'une utilisation domestique normale, Kohler Co. choisira, à sa discrétion, la réparation, le remplacement ou la rectification appropriée. Cette garantie n'offre pas de protection contre les dommages dus à un accident, une mauvaise utilisation ou un mauvais traitement. Un entretien et un nettoyage inadéquats annulent la garantie**. Une preuve d'achat (ticket de caisse d'origine) doit être présentée à Kohler Co. avec toutes les réclamations au titre de la garantie. Kohler Co. n'est pas responsable des frais de main-d'œuvre, d'installation ou de tout autre frais particulier, accessoire ou indirect. La responsabilité de Kohler Co. ne

Garantie (cont.)

dépassera en aucun cas le prix d'achat du robinet.

Si le robinet est utilisé dans un commerce ou s'il est installé en dehors d'Amérique du Nord, ou si la finition est dorée, non-Vibrant, peinte ou revêtue d'une poudre, Kohler Co. garantit le robinet contre tout vice de matériau et de fabrication pendant un (1) an à partir de la date d'installation du produit, selon les modalités de la garantie limitée standard d'un an de Kohler Co.

Pour toute réclamation au titre de la présente garantie, contacter Kohler Co. par l'intermédiaire du vendeur, plombier, centre de rénovation ou revendeur par internet, ou bien par écrit à l'adresse suivante Kohler Co., Attn.: Customer Care Center, 444 Highland Drive, Kohler, WI 53044, USA. Fournir tous les renseignements pertinents à la réclamation, dont notamment une description complète du problème et du produit, le numéro de modèle, la couleur, la finition, la date et le lieu d'achat du produit. Joindre également l'original de la facture. Pour de plus amples renseignements ou pour obtenir les coordonnées du service de réparation le plus proche, appeler le 1-800-4-KOHLER (1-800-456-4537) à partir des É.-U. et du Canada, et le 001-800-456-4537 à partir du Mexique, ou consulter le site www.kohler.com aux É.-U., www.ca.kohler.com à partir du Canada, ou www.mx.kohler.com au Mexique.

KOHLER CO. ET/OU LE REVENDEUR FOURNISSENT CES GARANTIES AU LIEU ET PLACE DE TOUTES AUTRES GARANTIES, EXPRESSES OU TACITES, Y COMPRIS LES GARANTIES TACITES DE COMMERCIALITÉ ET D'ADAPTATION À UN USAGE PARTICULIER. KOHLER CO. ET/OU LE REVENDEUR DÉCLINENT TOUTE RESPONSABILITÉ CONTRE LES DOMMAGES PARTICULIERS, ACCESSOIRES OU INDIRECTS. Certains états et provinces ne permettent pas de limite sur la durée de la garantie tacite, ni l'exclusion ou la limite des dommages, et, par conséquent, lesdites limites et exclusions peuvent ne pas s'appliquer à votre cas. La présente garantie accorde au consommateur des droits juridiques particuliers. Vous pouvez également avoir d'autres droits qui varient d'un état ou d'une province à l'autre.

Ceci constitue la garantie écrite exclusive de Kohler Co.

*Les robinets Trend®, la colonne MasterShower®, les systèmes et éléments BodySpa; la colonne, les systèmes et les éléments WaterHaven®; les robinets Tripoint®; les finitions or poli, non-Vibrant et peintes ou à revêtement de poudre, les raccords; tous les articles de la section "Fixture Related" du catalogue des prix des robinets Kohler, les drains, les crépines d'évier Duostrainer®, les distributeurs de

Garantie (cont.)

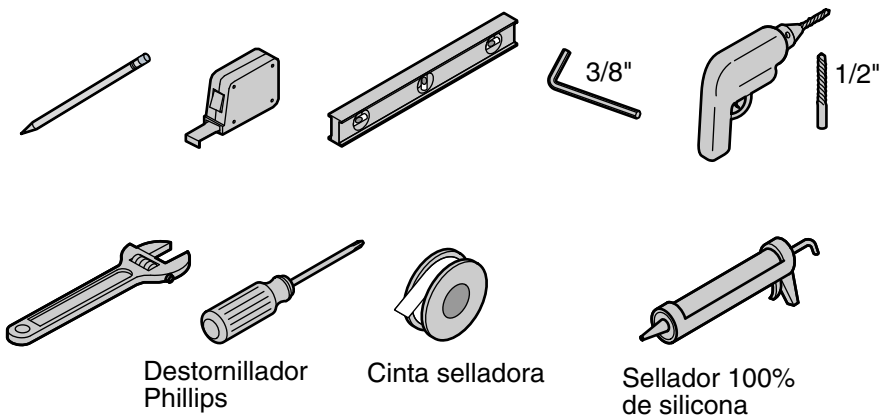
savon/lotion, le haut-parleur Moxie™ sans fil; et les robinets utilisés dans des milieux commerciaux et hors de l'Amérique du Nord, sont couverts par la garantie limitée d'un an de Kohler Co.

**Ne jamais utiliser de nettoyants contenant des agents abrasifs, de l'ammoniaque, de l'eau de Javel, des acides, des cires, de l'alcool, des dissolvants ou autres produits non recommandés pour le chrome. Ceci annulera la garantie.

Guía de instalación y cuidado

Columna de ducha

Herramientas y materiales



Antes de comenzar

NOTA: Esta guía sólo incluye la secuencia de instalación para la columna de ducha. Instale válvula mezcladora, la guarnición de la válvula mezcladora y el surtidor según las instrucciones del fabricante.

AVISO: Riesgo de daños al producto. No aplique peso excesivo ni fuerza hacia abajo a la columna de ducha.



PRECAUCIÓN: Riesgo de daños a la propiedad. Pueden ocurrir fugas de agua si la tubería de suministro permite movimiento. Asegúrese de que la tubería de suministro y la conexión de codo de 1/2"-14 NPT se fijen con seguridad a los refuerzos en la estructura de postes de madera.

NOTA: La cabeza de ducha, la manguera y la ducha de mano se compran **por separado**.

- Lea todas las instrucciones antes de comenzar.
- Cumpla con todos los códigos locales de plomería y construcción.

Antes de comenzar (cont.)

- Cierre el suministro de agua.
- Revise las tuberías de suministro existentes y los materiales de pared. Reemplace si es necesario.
- La columna de ducha se provee con herrajes de sujetadores mariposa para la instalación a una superficie de pared acabada. La pared acabada debe tener un espesor mínimo de 5/8" (16 mm) y una resistencia adecuada. Se requieren dos sujetadores mariposa por collarín de montaje.

¡IMPORTANTE! Si los herrajes tipo sujetadores mariposa **no** se usan para instalar la columna de ducha:

- Asegúrese de que los materiales de refuerzo de la pared de resistencia adecuada y los refuerzos de los postes de madera se coloquen correctamente detrás de la pared acabada.
- Obtenga los herrajes correctos (no provistos) tomando en cuenta el tipo de material de refuerzo de los postes de madera y el grosor del collarín de montaje, la pared acabada, el soporte de la pared y el refuerzo de los postes de madera.
- Los herrajes deben ser resistentes a la corrosión y capaces de soportar una carga de 300 lbs (136 kg) por herraje.
- Se requiere un mínimo de dos herrajes por collarín de montaje.
- Los herrajes de deben anclar bien en el refuerzo de postes de madera para soportar adecuadamente el producto.

¡IMPORTANTE! Para instalaciones de conversión/remodelación:

Verifique que la mampara de ducha existente tenga el espacio adecuado antes de continuar con la instalación de la columna de ducha. Consulte el diagrama de instalación para la columna de ducha y la cabeza de ducha.

Verifique las distancias entre:

- El techo y el centro del brazo de ducha existente en la superficie de la pared acabada.
- El piso de la ducha y el centro del brazo de ducha existente en la superficie de la pared acabada. Asegúrese de que haya suficiente espacio debajo de la cabeza de ducha.
- El centro del brazo de ducha existente y el centro de la guarnición de la válvula mezcladora.

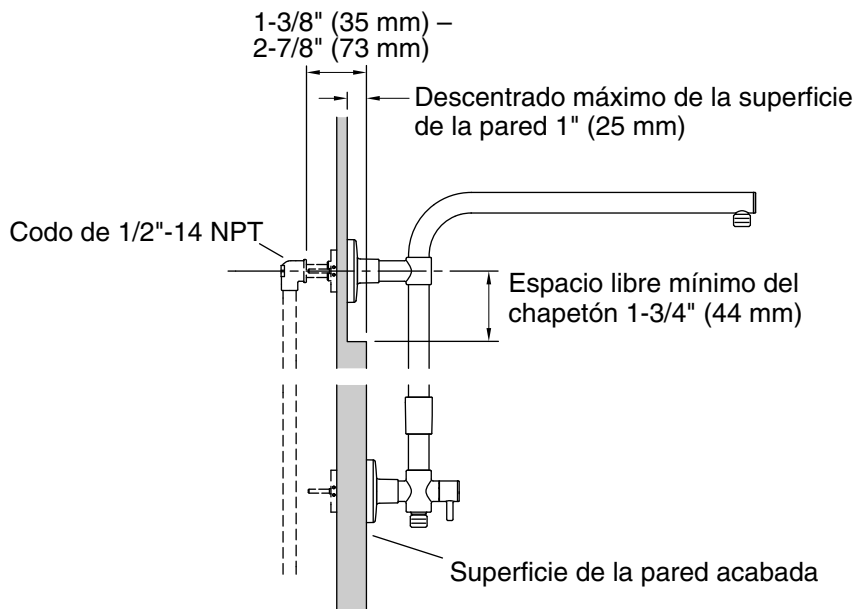


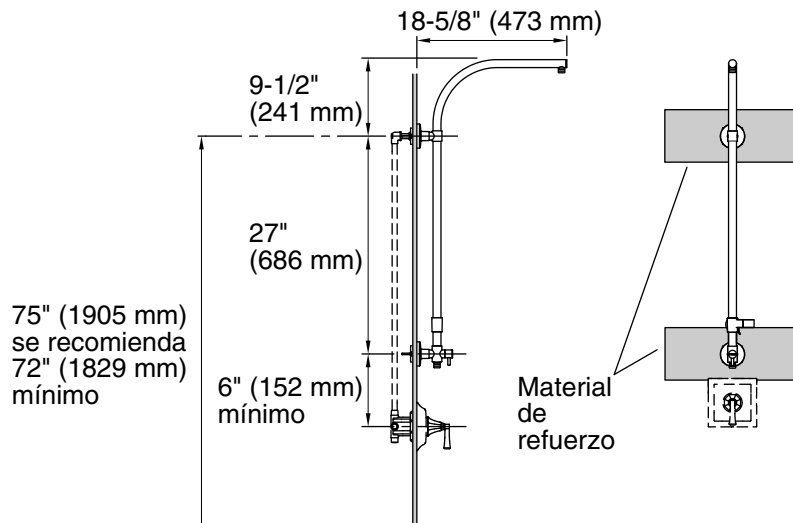
Diagrama de instalación-Conexión suministro superior

- Mida la distancia entre el codo de 1/2"-14 NPT y la superficie de la pared acabada. La distancia debe estar entre 1-3/8" (35 mm) y 2-7/8" (73 mm).

¡IMPORTANTE! La conexión de la columna de ducha no sellará correctamente si la distancia excede de 2-7/8" (73 mm); vea a continuación para el requisito de kit de instalación profunda.

- **Si la distancia está entre 2-7/8" (73 mm) y 4" (102 mm):** Pida el kit de instalación profunda 1194630.
- **Si la distancia es menos de 1-3/8" (35 mm):** Pida el kit de instalación menos profunda 1187917.

K-45209 (Sin cabeza de ducha, ducha de mano ni manguera)



K-45210 (Sin cabeza de ducha, ducha de mano ni manguera)

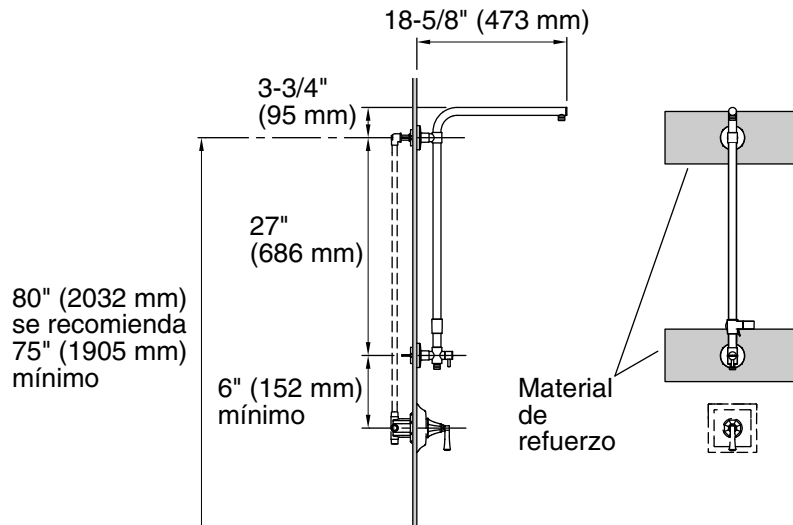
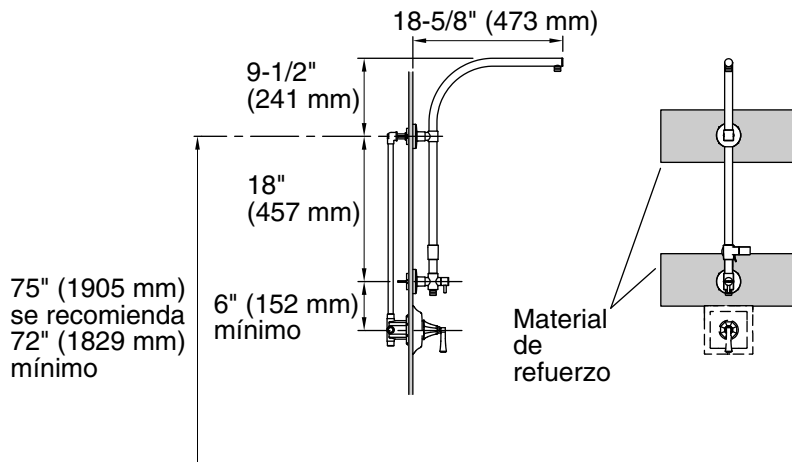


Diagrama de instalación

K-45211 (Sin cabeza de ducha, ducha de mano ni manguera)



K-45212 (Sin cabeza de ducha, ducha de mano ni manguera)

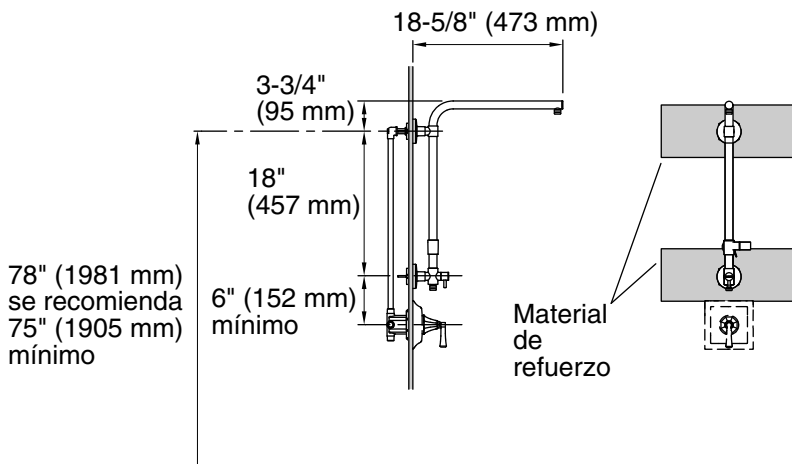
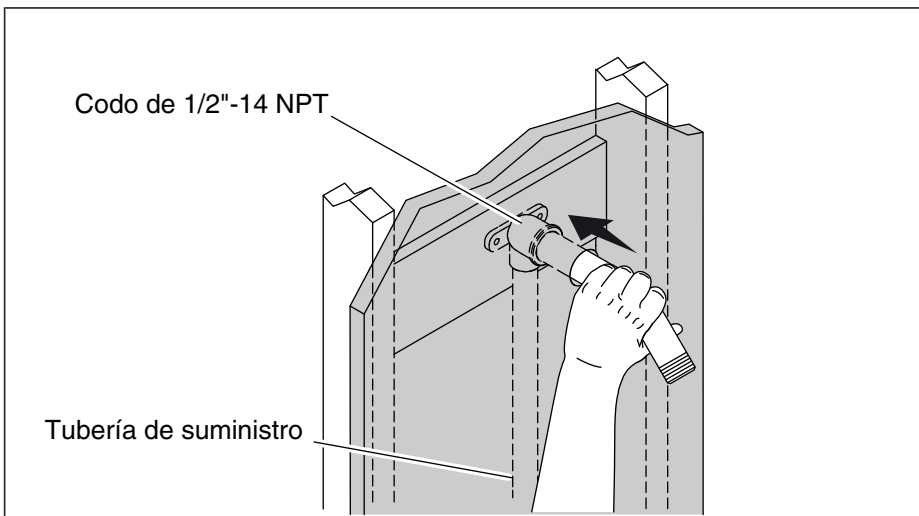


Diagrama de instalación



1. Instalación de conversión/remodelación



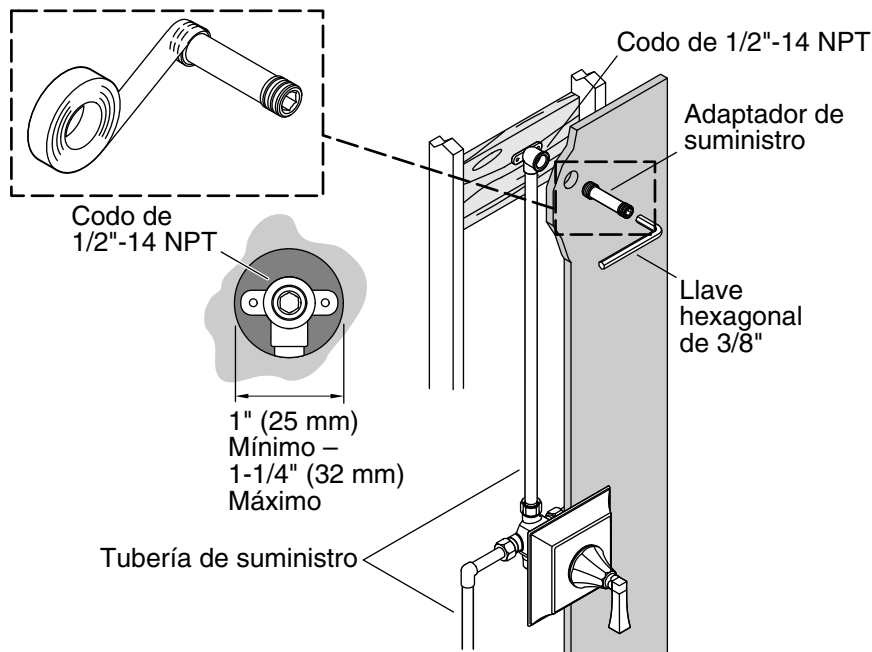
PRECAUCIÓN: Riesgo de daños a la propiedad. Pueden ocurrir fugas de agua si la tubería de suministro permite movimiento. Asegúrese de que la tubería de suministro y la conexión de codo de 1/2"-14 NPT se fijen con seguridad a los refuerzos en la estructura de postes de madera.

¡IMPORTANTE! Verifique que la mampara de ducha existente tenga el espacio adecuado según se describe en la sección "Antes de comenzar".

- Retire la cabeza de ducha y el chapetón del brazo de ducha existentes.
- Con cuidado empuje el brazo de ducha existente hacia la superficie de pared acabada.
- Revise si hay movimiento hacia dentro de las tuberías de suministro.
- Si hay movimiento hacia dentro, fije con seguridad la tubería de suministro a los refuerzos en los postes de madera antes de comenzar la instalación de la columna de ducha.
- Retire el brazo de ducha existente.

Instalación de conversión/remodelación (cont.)

- Mida el orificio del brazo de ducha existente. Asegúrese de que el material de la pared acabada tenga un orificio para la conexión del suministro superior de diámetro entre 1" (25 mm) mínimo y 1-1/4" (32 mm) máximo, y que el orificio esté centrado en la salida de la conexión de codo de 1/2"-14 NPT. Repare las superficies de la pared si el orificio existente para el brazo de ducha no está centrado o excede de las dimensiones recomendadas.



2. Instale el adaptador del suministro

Para instalaciones en construcciones nuevas



PRECAUCIÓN: Riesgo de daños a la propiedad. Pueden ocurrir fugas de agua si la tubería de suministro permite movimiento. Asegúrese de que la tubería de suministro y la conexión de codo de 1/2"-14 NPT se fijen con seguridad a los refuerzos en la estructura de postes de madera.

¡IMPORTANTE! Esta guía sólo incluye la secuencia de instalación para la columna de ducha. Consulte las instrucciones de instalación del fabricante de la válvula mezcladora, la guarnición de la válvula mezcladora y el surtidor.

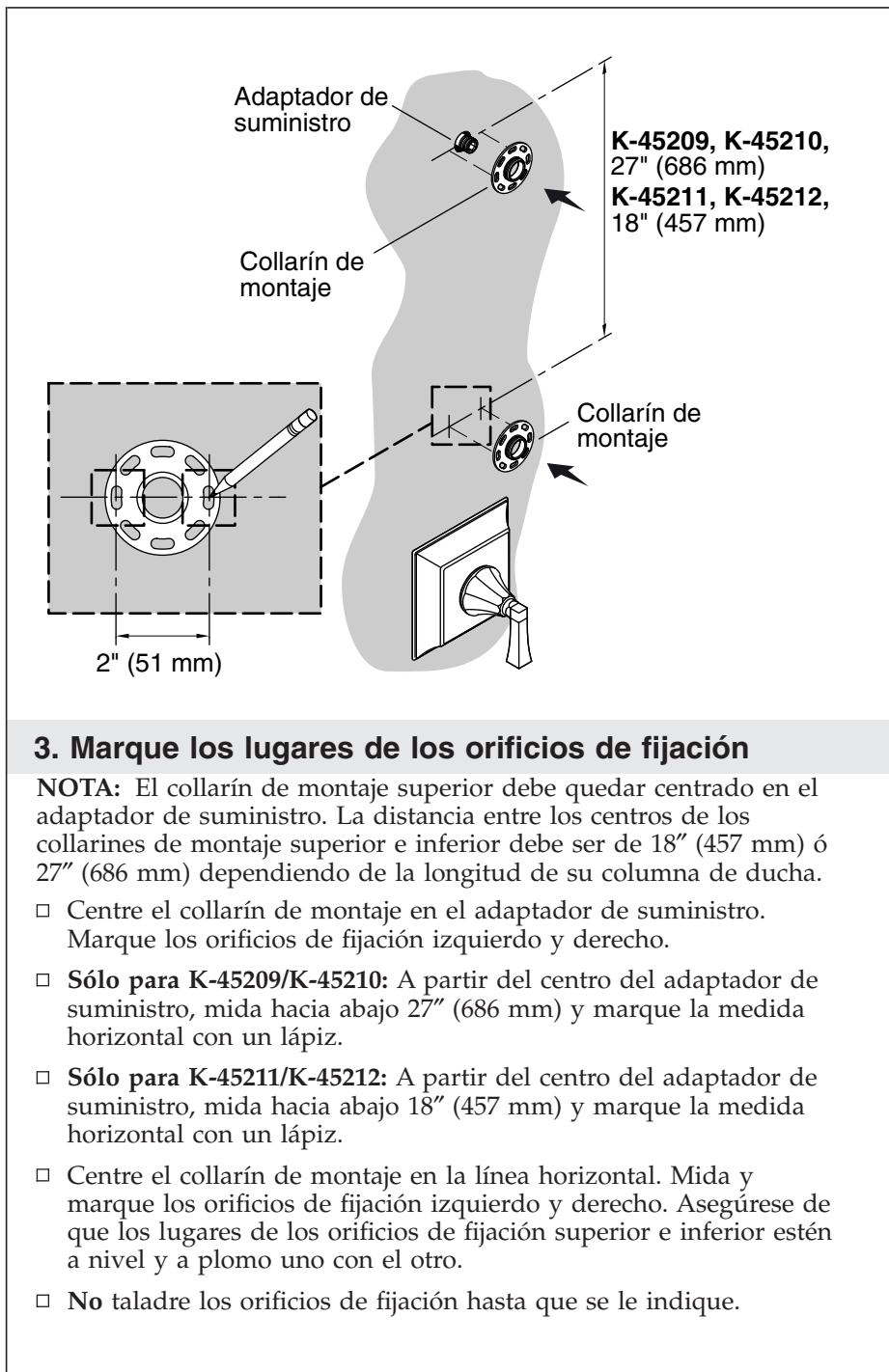
- Haga las conexiones de la válvula mezcladora, la tubería de suministro y el surtidor de la bañera adecuadas para su instalación.
- Consulte la sección "Diagrama de instalación" de esta guía para la ubicación correcta de la conexión del codo de 1/2"-14 NPT dentro de la pared.

Instale el adaptador del suministro (cont.)

- Asegúrese de que la tubería de suministro y la conexión de codo de 1/2"-14 NPT queden fijadas con seguridad a la estructura de postes de madera.
- Asegúrese de que el material de la pared acabada tenga un orificio para la conexión del suministro superior de diámetro entre 1" (25 mm) mínimo y 1-1/4" (32 mm) máximo, y que el orificio esté centrado en la salida de la conexión de codo de 1/2"-14 NPT.
- **Si el diámetro del orificio de la conexión del suministro está entre 1-1/4" (32 mm) y 2-1/4" (57 mm):** Pida el kit de collarín de montaje/chapetón grande 1194302.
- Instale el material de acabado de la pared.
- Instale la guarnición de la válvula mezcladora y el surtidor de bañera según las instrucciones del fabricante.

Para instalaciones en construcciones nuevas y de conversión

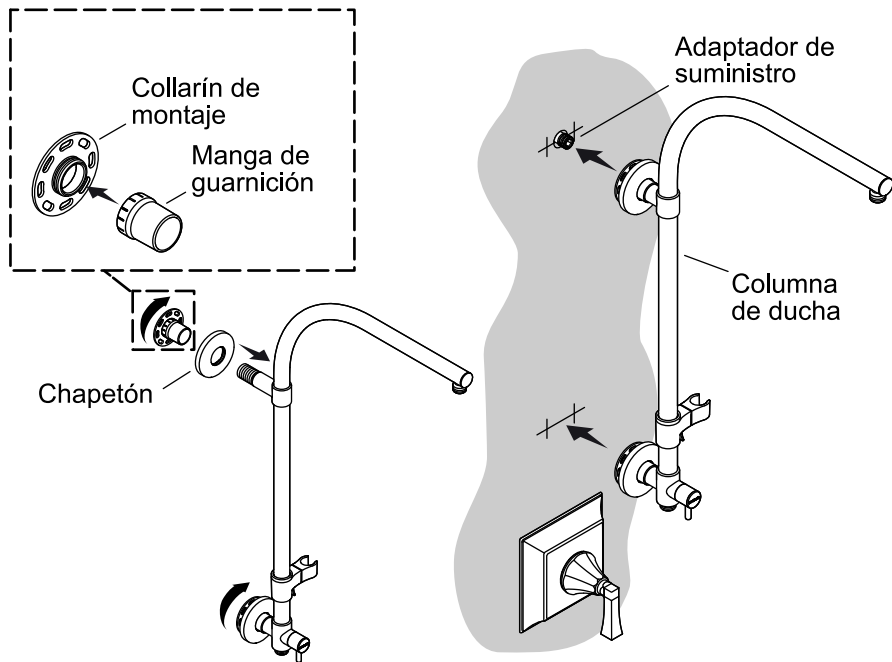
- Aplique cinta selladora de roscas a las roscas del adaptador de suministro.
- El adaptador de suministro tiene un dado hexagonal interno de 3/8". Enrosque el adaptador de suministro en el codo de 1/2"-14 NPT utilizando una llave hexagonal de 3/8".



3. Marque los lugares de los orificios de fijación

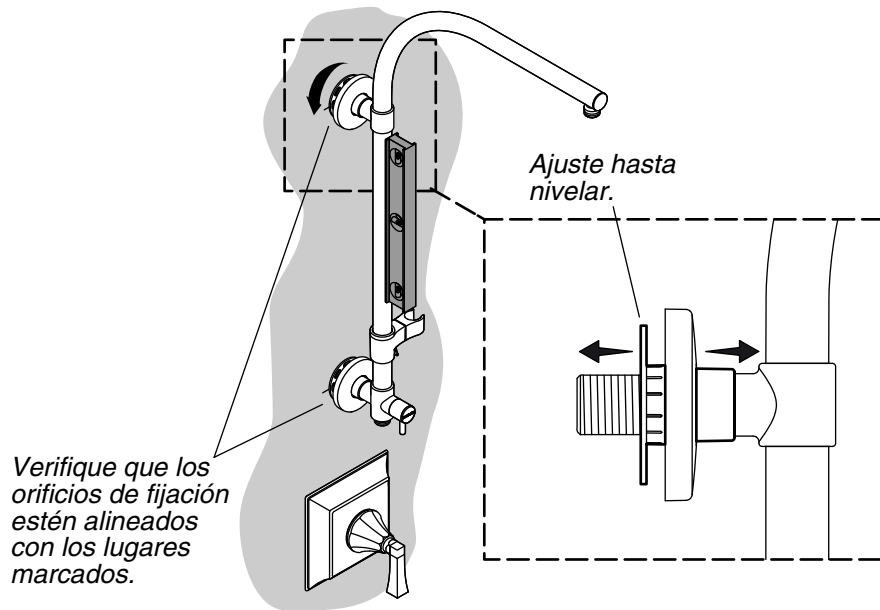
NOTA: El collarín de montaje superior debe quedar centrado en el adaptador de suministro. La distancia entre los centros de los collarines de montaje superior e inferior debe ser de 18" (457 mm) ó 27" (686 mm) dependiendo de la longitud de su columna de ducha.

- Centre el collarín de montaje en el adaptador de suministro. Marque los orificios de fijación izquierdo y derecho.
- Sólo para K-45209/K-45210:** A partir del centro del adaptador de suministro, mida hacia abajo 27" (686 mm) y marque la medida horizontal con un lápiz.
- Sólo para K-45211/K-45212:** A partir del centro del adaptador de suministro, mida hacia abajo 18" (457 mm) y marque la medida horizontal con un lápiz.
- Centre el collarín de montaje en la línea horizontal. Mida y marque los orificios de fijación izquierdo y derecho. Asegúrese de que los lugares de los orificios de fijación superior e inferior estén a nivel y a plomo uno con el otro.
- No** taladre los orificios de fijación hasta que se le indique.



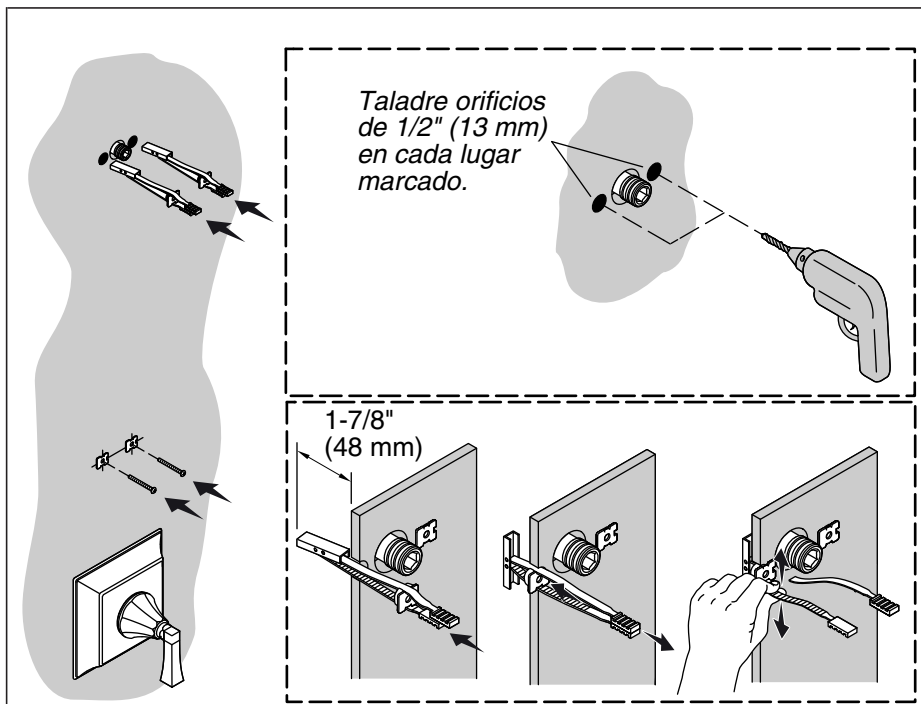
4. Instale en seco la columna de ducha

- Encaje una manga de guarnición en cada collarín de montaje.
- Verifique que haya un arosello instalado en cada chapetón.
- Con cuidado deslice un chapetón en el montaje de conexión superior.
- Enrosque un collarín de montaje en el montaje de conexión superior.
- Repita estos pasos para el collarín de montaje inferior y el chapetón.
- Deslice con cuidado la columna de ducha en el adaptador de suministro.
- Asegúrese de que el collarín de montaje inferior esté apretado contra la pared acabada.
- Continúe en la sección "Aplome la columna de ducha".



5. Aplome la columna de ducha

- Con un nivel, revise la posición de la columna de ducha para asegurar que esté aplomo.
- El collarín de montaje superior es ajustable para tomar en cuenta el aplomo y el descentrado de la superficie de la pared. Gire el collarín de montaje hasta que la columna de ducha quede aplomo.
- Verifique que la ranuras del collarín de montaje se alineen con las marcas de lápiz en la pared acabada. Haga los ajustes necesarios.
- Retire la columna de ducha del adaptador de suministro.



6. Instale con anclajes

¡**IMPORTANTE!** Si los herrajes de sujetadores de mariposa **no** se usan, consulte "Antes de comenzar" para los requisitos de los herrajes.

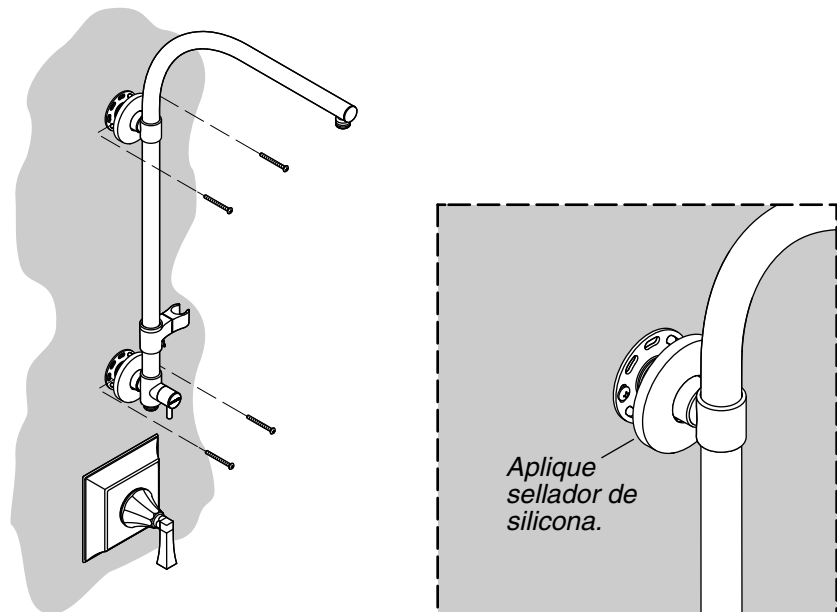
NOTA: La instalación de los anclajes requiere un espacio libre mínimo detrás de la pared de 1-7/8" (48 mm). La pared acabada debe tener un espesor mínimo de 5/8" (16 mm) y una resistencia adecuada.

Instale los anclajes

- Taladre dos orificios de 1/2" (13 mm) de diámetro para cada collarín de montaje en los lugares marcados con lápiz en la pared acabada.
- Sostenga el canal de metal del anclaje plano a lo largo de las tiras de plástico y deslice el canal a través de los orificios taladrados.
- Vuelva a alinear las manijas de las tiras para enderezar el canal detrás de la pared.

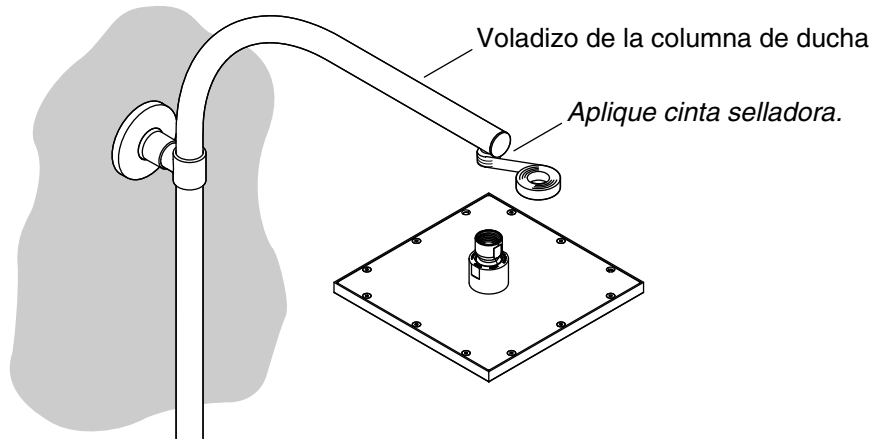
Instale con anclajes (cont.)

- Con una mano, jale las asas hacia afuera de manera recta (no jale en ángulo) para que el canal de metal descansa al ras detrás de la pared.
- Con la otra mano, deslice el clip a lo largo de las tiras hasta que el reborde del clip esté al ras con la pared.
- Coloque su dedo pulgar entre las cintas plásticas. Mueva hacia arriba y hacia abajo las tiras hasta que se desprendan en la pared.
- Alinee el collarín de montaje con los clips de anclaje.
- Inserte el perno a través del collarín de montaje y apriete hasta que esté al ras con la pared.



7. Fije la columna de ducha

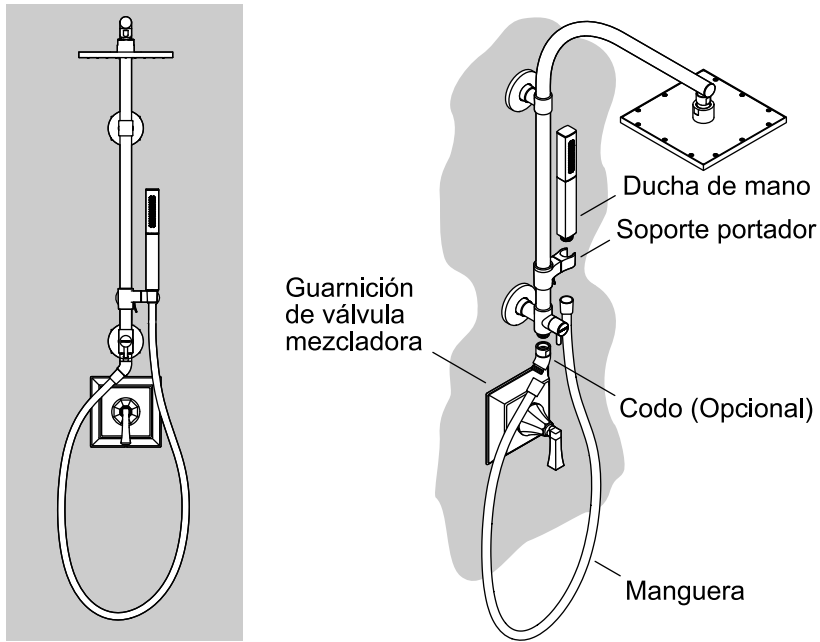
- Vuelva a instalar la columna de ducha a los adaptadores de suministro.
- Fije la columna de ducha con los cuatro herrajes.
- Aplique una tira de sellador de silicona al filo posterior de cada chapetón.
- Deslice los chapetones sobre los collarines de montaje y presione los chapetones contra la pared acabada.
- Limpie el exceso de sellador de silicona de los chapetones y la pared acabada.



8. Instale la cabeza de ducha

PRECAUCIÓN: Riesgo de daños al producto. Puede ocurrir daño al producto si el voladizo de la columna de ducha no se soporta con cuidado durante la instalación de la cabeza de ducha. No aplique peso excesivo ni fuerza al voladizo de la columna de ducha.

- Aplique cinta selladora a la salida del voladizo de la columna de ducha.
- Con cuidado enrosque la cabeza de ducha a la salida del voladizo de la columna de ducha.



9. Instale la ducha de mano

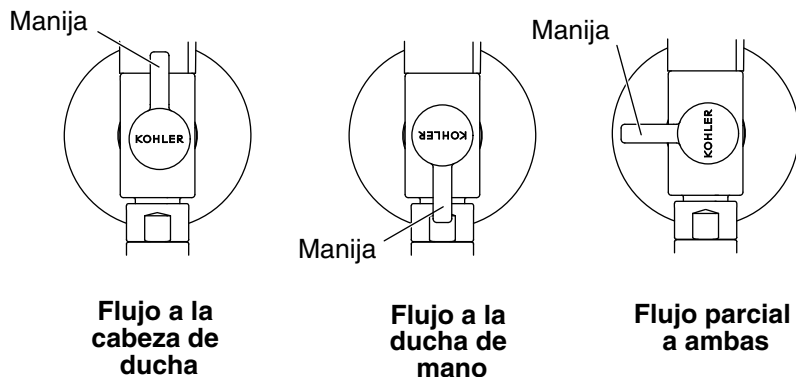
NOTA: La instalación del codo es opcional y permite que la manguera cuelgue alrededor de la guarnición de la válvula mezcladora. La manguera de la ducha también se puede instalar directamente a la columna de ducha, si lo desea.

- Con el empaque instalado, enrosque el codo en la parte inferior de la columna de ducha.
- Con el empaque instalado, enrosque el extremo de la válvula de retención de la manguera de ducha al codo.
- Coloque el soporte portador de la ducha de mano y el codo opuestos uno al otro. Esto permite que la manguera cuelgue alrededor de la guarnición de la válvula mezcladora.
- Enrosque la manguera a través del soporte portador.
- Con la arandela de rejilla instalada, enrosque la manguera a la ducha de mano.
- Coloque la ducha de mano en el soporte portador.
- Abra el agua.

Instale la ducha de mano (cont.)

NOTA: Si no fluye agua a través de la ducha de mano o de la manguera de ducha, la manguera de ducha se instaló incorrectamente. Para corregir, vuelva a instalar la manguera de ducha asegurándose de que el extremo de manguera que tiene la válvula de retención quede conectada al codo o a la columna de ducha.

- Verifique que no haya fugas.



Uso de la columna de ducha

NOTA: Si no fluye agua a través de la ducha de mano o de la manguera de ducha, la manguera de ducha se instaló incorrectamente. Para corregir, vuelva a instalar la manguera de ducha asegurándose de que el extremo de manguera que tiene la válvula de retención quede conectada al codo o a la columna de ducha.

NOTA: Este producto no está diseñado para parar el flujo de agua. El colocar la manija hacia la izquierda resultará en un flujo parcial de ambas la cabeza de ducha y la ducha de mano.

- Para usar la cabeza de ducha, gire la manija a la posición hacia arriba.
- Para usar la ducha de mano, gire la manija a la posición hacia abajo.

Cuidado y limpieza

Para obtener los mejores resultados, tenga presente lo siguiente al limpiar su producto KOHLER:

- Para la limpieza, utilice solamente un detergente suave como el jabón líquido para lavar platos y agua tibia. No utilice limpiadores abrasivos que puedan rayar u opacar la superficie.
- Lea atentamente la etiqueta del producto de limpieza para asegurar que no presente riesgos al usarse en el material.

Cuidado y limpieza (cont.)

- Siempre pruebe la solución de limpieza en un área oculta antes de aplicarla a toda la superficie.
- No deje por tiempo prolongado los limpiadores en la superficie.
- Limpie con un trapo y enjuague completa e inmediatamente con agua después de aplicar limpiadores. Enjuague y seque las superficies cercanas que se hayan rociado.
- Utilice una esponja o trapo suave y húmedo. Para limpiar las superficies, nunca utilice materiales abrasivos como cepillos o estropajos de tallar.

Para obtener información detallada de limpieza y los limpiadores a considerar, visite www.kohler.com/clean. Para solicitar información sobre el cuidado y la limpieza, llame al 1-800-456-4537.

Garantía

Garantía limitada de por vida para la grifería KOHLER®

Kohler Co. garantiza que la Grifería* fabricada después del 1 de enero de 1997 está libre de problemas de fugas y goteo durante el uso residencial normal, mientras el comprador consumidor original sea el propietario de su casa. En caso de que la Grifería presente fugas o goteo durante el uso normal, Kohler Co. enviará por correo y sin ningún cargo al comprador original, el cartucho necesario para que la Grifería funcione correctamente. Esta garantía se aplica sólo a la Grifería Kohler instalada en los Estados Unidos de América, Canadá o México ("Norteamérica").

Kohler Co. también garantiza que todas las demás características de la grifería o accesorios ("Grifería")*, (excepto los acabados de oro, que no sean Vibrant®, o que no sean de cromo) están libres de defectos de material y mano de obra, durante el uso residencial normal, mientras el comprador consumidor original sea el propietario de su casa. Esta garantía se aplica sólo a la Grifería Kohler instalada en Norteamérica. Si se encuentra un defecto durante el uso residencial normal, Kohler Co., a su criterio, reparará, proveerá un repuesto o producto, o realizará los ajustes pertinentes. Esta garantía no cubre daños causados por accidente, abuso o uso indebido del producto. El cuidado y la limpieza indebidos anularán la garantía**. Al presentar las reclamaciones de garantía a Kohler Co., es necesario incluir la prueba de compra (recibo de venta original). Kohler Co. no se hace responsable de costos de mano de obra, instalación u otros costos incidentales o indirectos. En ningún caso la responsabilidad de Kohler Co. excederá el precio de compra de la Grifería.

Garantía (cont.)

Si la Grifería se utiliza comercialmente o se instala fuera del territorio de Norteamérica, o si el acabado es de oro, no es Vibrant o un acabado de color con revestimiento de pintura o polvo, Kohler Co. garantiza que la Grifería está libre de defectos de material y mano de obra por un (1) año, a partir de la fecha de instalación, bajo la garantía limitada de un año estándar de Kohler Co.

Si usted considera que tiene una reclamación en virtud de la garantía, comuníquese con Kohler Co. a través de su distribuidor, contratista de plomería, centro de remodelación o distribuidor por Internet, o escriba a Kohler Co., Attn.: Customer Care Center, 444 Highland Drive, Kohler, WI 53044, USA. Por favor, asegúrese de proporcionar toda la información pertinente a su reclamación, incluyendo una descripción completa del problema, el producto, el número de modelo, el color, el acabado, la fecha de compra y el lugar de compra del producto. También incluya el recibo original. Para información adicional, o para obtener el nombre y dirección del lugar de reparación y servicio más cercano a usted, llame al 1-800-4-KOHLER (1-800-456-4537) desde los EE.UU. y Canadá, y al 001-800-456-4537 desde México, o visite www.kohler.com desde los EE.UU., www.ca.kohler.com desde Canadá, o www.mx.kohler.com en México.

KOHLER CO. Y/O EL VENDEDOR OFRECEN ESTAS GARANTÍAS QUE SUSTITUYEN TODAS LAS DEMÁS GARANTÍAS, EXPRESAS O IMPLÍCITAS, INCLUYENDO, ENTRE OTRAS, LAS GARANTÍAS IMPLÍCITAS DE COMERCIALIZACIÓN E IDONEIDAD PARA UN USO DETERMINADO. KOHLER CO. Y/O EL VENDEDOR DESCARGAN TODA RESPONSABILIDAD POR CONCEPTO DE DAÑOS PARTICULARES, INCIDENTALES O INDIRECTOS.

Algunos estados/provincias no permiten limitaciones en cuanto a la duración de una garantía implícita o a la exclusión o limitación de dichos daños, por lo que estas limitaciones y exclusiones pueden no aplicar a su caso. Esta garantía otorga al consumidor ciertos derechos legales específicos. Además, usted puede tener otros derechos que varían de estado a estado y provincia a provincia.

Ésta es la garantía exclusiva por escrito de Kohler Co.

*La grifería Trend[®], la torre MasterShower[®], los sistemas y componentes BodySpa, la torre, sistemas y componentes WaterHaven[®], las griferías Tripoint[®], el acabado en oro pulido, que no sea Vibrant y los acabados con revestimiento de pintura o en polvo, las conexiones, todos los artículos contenidos en la sección "Fixture Related" de la lista de precios de la grifería Kohler, los desagües, las coladeras de fregadero Duostrainer[®], los dispensadores de jabón y loción, la bocina inalámbrica Moxie[™]; y la grifería de uso comercial e instalada fuera del territorio de Norteamérica, están cubiertos por la garantía limitada de

Garantía (cont.)

un año de Kohler Co.

**Nunca utilice limpiadores que contengan limpiadores abrasivos, amoníaco, blanqueador, ácidos, ceras, alcohol, disolventes u otros productos no recomendados para el cromo. Esto anulará la garantía.

1213116-2-A

1213116-2-A

USA/Canada: 1-800-4KOHLER

México: 001-800-456-4537

kohler.com

THE BOLD LOOK
OF **KOHLER**®

©2013 Kohler Co.

1213116-2-A