



Under-mount Bathroom Sink
K-2602-MU

Features

- Elliptical basin with Mirror finish.
- No faucet holes; requires wall- or counter-mount faucet.

Material

- 20-gauge stainless steel.

Installation

- Under-mount

Recommended Products/Accessories

- K-7114 Pop-Up Drain
- K-7127 Drain
- K-7129 Drain
- K-8998 P-Trap

Included Components

Additional Components:

- 1 193643 Basin clamps
- drain gasket
- tube



ADA **CSA B651**

Codes/Standards

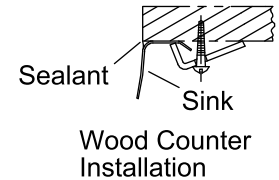
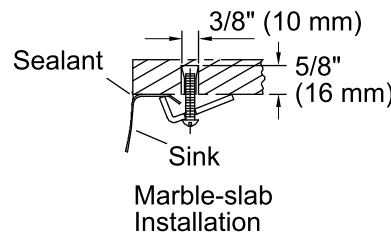
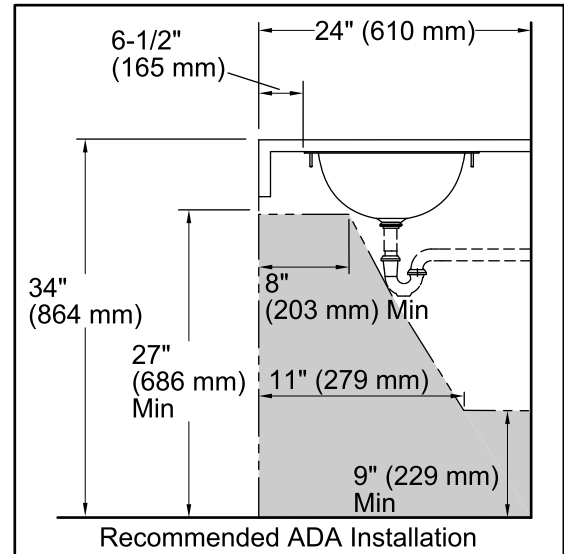
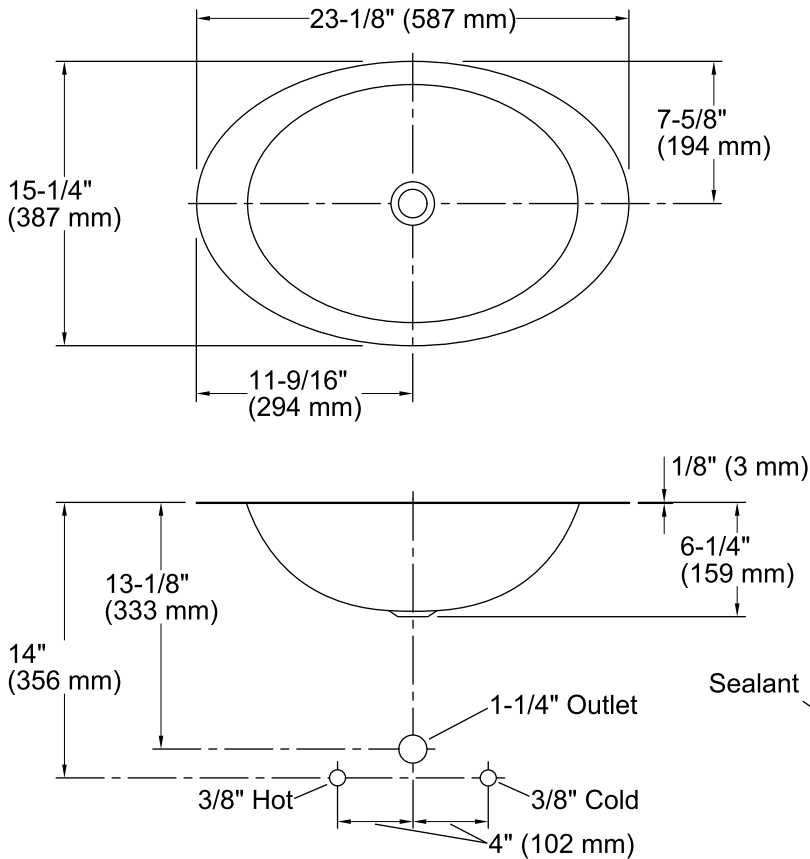
ASME A112.19.3/CSA B45.4
ADA
ICC/ANSI A117.1
CSA B651

KOHLER® One-Year Limited Warranty

See website for detailed warranty information.



Under-mount Bathroom Sink K-2602-MU



Technical Information

All product dimensions are nominal.

Bowl configuration:	Single
Installation:	Under-mount
Bowl area (Only):	Length: 18" (457 mm) Width: 13" (330 mm) Water depth: 5-7/8" (149 mm)
Drain hole:	1-5/8" (41 mm)
Template:	1000258-7, required, included

Notes

Install this product according to the installation instructions.

Supplied basin clamp assembly requires 3/4" (19 mm) minimum countertop thickness. Installer must supply anchors for thinner countertops.

NOTICE: Countertop manufacturer or cutter must use the cut-out template provided by Kohler Co. (call 1-800-4-KOHLER). Kohler Co. is not responsible for cut out errors when the incorrect cut out template is used.

Waterproof the unprotected overhang area of the underside of the wood counter.

ADA, CSA B651 compliant when installed to the specific requirements of these regulations.