

### Features

- 36-inch minimum base cabinet width.
- Double equal bowls.
- 9-inch depth.
- Self-Trimming apron overlaps the cabinet face for easy installation.
- Apron height allows sink to be used in most standard cabinetry or retrofitted to existing standard cabinetry.
- Three faucet holes with one accessory hole to the right.
- Rear drain increases workspace in the sink and storage space underneath.
- SilentShield® sound-absorption technology offers quieter performance.
- Includes installation hardware and compatibility template.

### Material

- Handcrafted from 18-gauge stainless steel.

### Installation

- Top-mount apron-front.

### Recommended Products/Accessories

K-6475 Sink Rack  
K-6377 Sponge Caddy  
K-6378 Kitchen Brush Caddy  
K-6379 Kitchen Squeegee  
K-6382 Disinfecting Wipes Dispenser  
K-6383 Soap Dispenser  
K-8618 Paper Towel Holder  
K-8619 Flexible Kitchen Mat  
K-8801 Sink Strainer  
K-8799 Sink Strainer  
K-8624 Dish Scraper

### Optional Products/Accessories

K-6429 Utility Rack  
K-6432 Saddle Towel Bar  
K-6434 Saddle Utility Rack

### Included Components

Product consists of:

1130570 Hardware Kit, Self-Rimming  
1173293 Hardware Kit, Side Clip

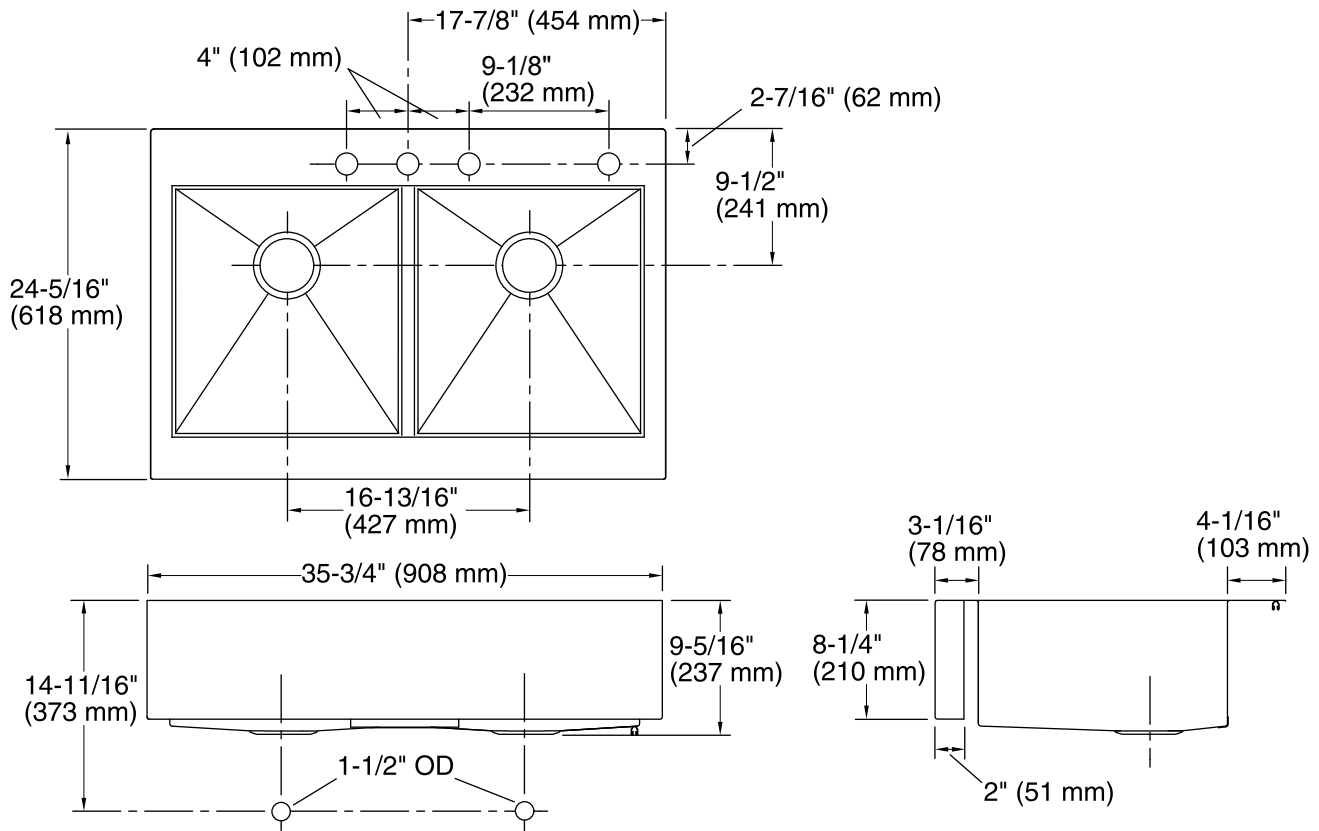


### Codes/Standards

ASME A112.19.3/CSA B45.4

### Lifetime Limited Warranty for KOHLER® Stainless Steel Sinks

See website for detailed warranty information.



### Technical Information

All product dimensions are nominal.

Bowl configuration: Double equal

Installation: Top-mount

Min. base cabinet width: 36" (914 mm)

Bowl area (Left): Length: 17-3/16" (437 mm)  
Width: 15-11/16" (398 mm)  
Water depth: 9" (229 mm)

Bowl area (Right): Length: 17-3/16" (437 mm)  
Width: 15-11/16" (398 mm)  
Water depth: 9" (229 mm)

Number of deck holes: 4

Faucet hole spacing: 4" (102 mm)

Faucet hole(s): 1-7/16" (37 mm)

Drain hole: 3-5/8" (92 mm)

Template: 1166717-7, required, included  
1178341, required, included

### Notes

Install this product according to the installation instructions.