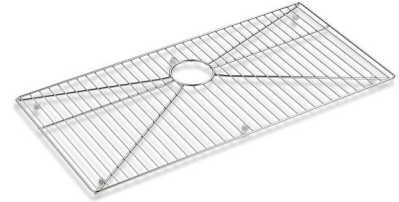


## Features

- Comes included with the K-5283-NA Strive kitchen sink.
- Durable stainless-steel construction.
- Helps protect sink surface from daily wear.
- Dishwasher safe.
- Rubber feet provide added protection.



## Codes/Standards


None Applicable

## KOHLER® One-Year Limited Warranty

See website for detailed warranty information.

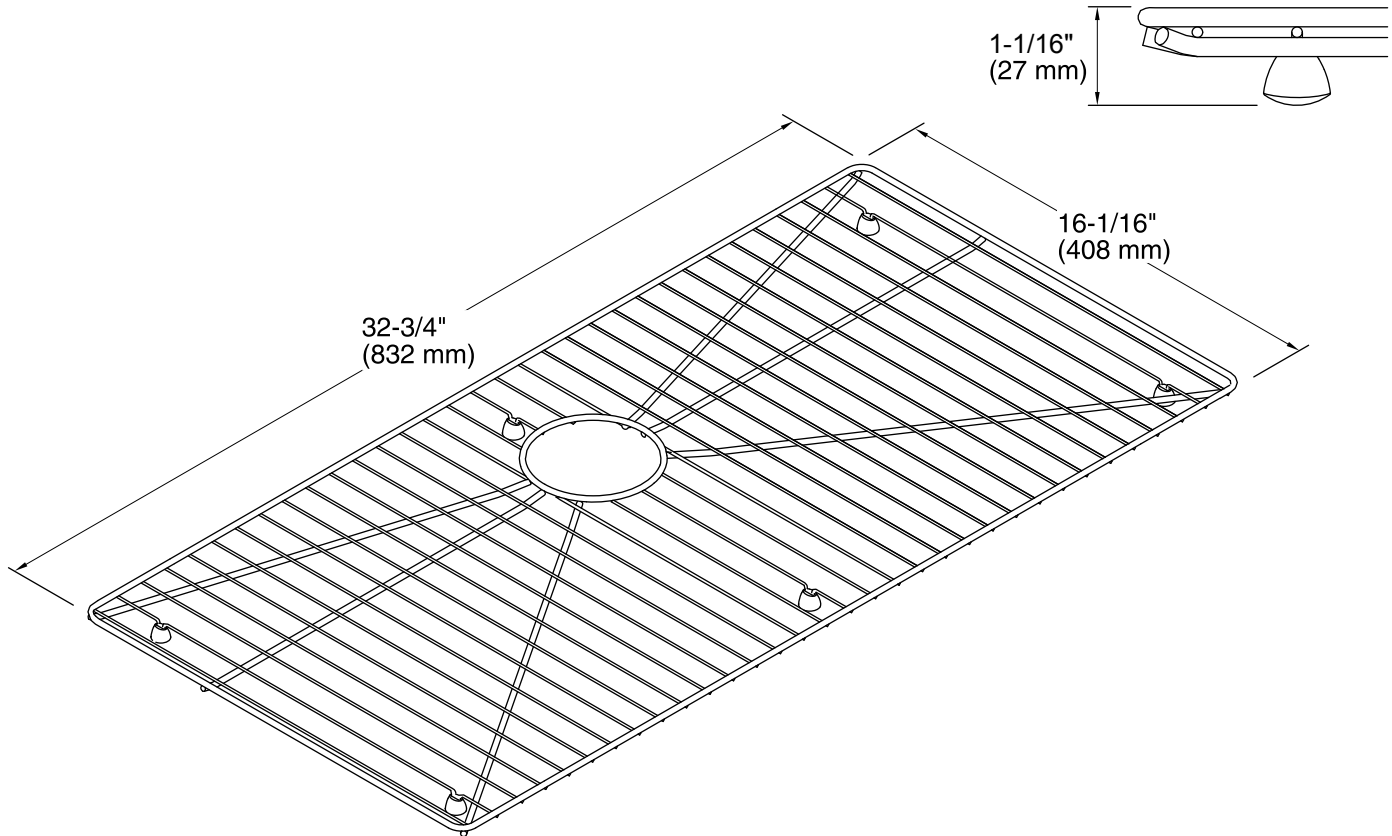
## Available Colors/Finishes

*Color tiles intended for reference only.*

Color	Code	Description
	ST	Stainless Steel

# KOHLER®

**Strive®**  
Sink Rack  
**K-5411**



## Technical Information

All product dimensions are nominal.

Material: Stainless Steel

1-800-4KOHLER (1-800-456-4537)

Kohler Co. reserves the right to make revisions without notice to product specifications.

For the most current Specification Sheet, go to [www.kohler.com](http://www.kohler.com).

9-7-2019 11:26 - US/CA

THE BOLD LOOK  
OF **KOHLER®**