



**Brenham™**  
 Wall-Mount Bathroom Sink  
**K-1997-SS1N**

**Features**

- With hanger.
- Without overflow.
- Drilled for concealed arm carrier.
- Single-hole drilling.
- 1-15/16 " (557 mm) x 19-3/4 " (502 mm)

**Material**

- Vitreous china.

**Technology**

- Antimicrobial finish inhibits the growth of mold, mildew, stain and odor causing bacteria on the fixture surface.

**Installation**

- Wall-mount installation.

**Optional Accessories**

- K-8998 P-Trap
- K-1998 Shroud

**Components**

Additional included component/s: Hanger (2 required).



**ADA** **CSA B651** **OBC**


**Codes/Standards**

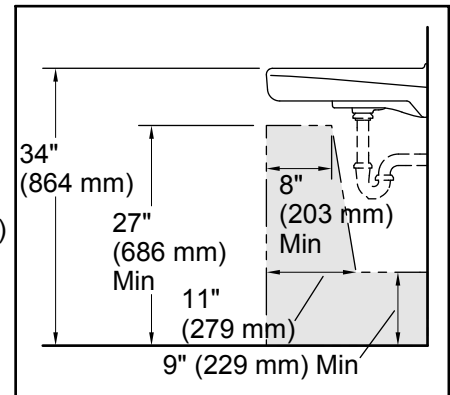
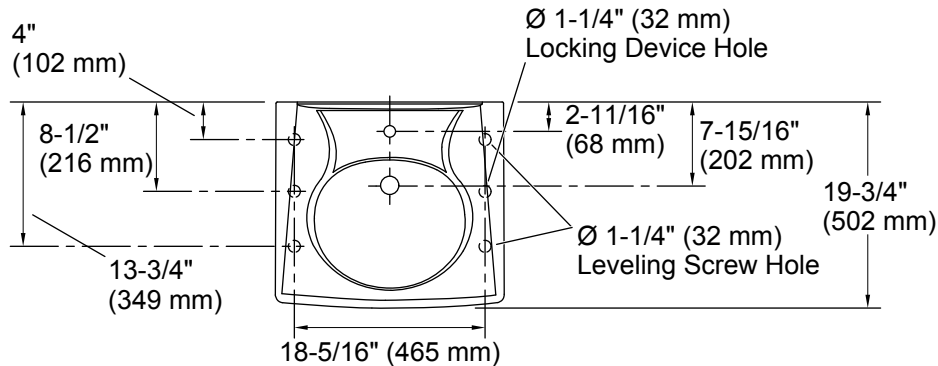
ASME A112.19.2/CSA B45.1  
 ADA  
 ICC/ANSI A117.1  
 CSA B651  
 OBC

**KOHLER® One-Year Limited Warranty**  
 See website for detailed warranty information.

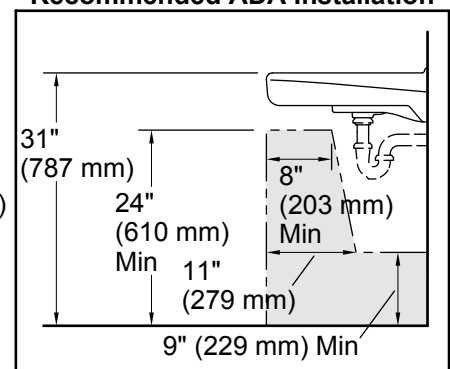
**Available Color/Finishes**

*Color tiles intended for reference only.*

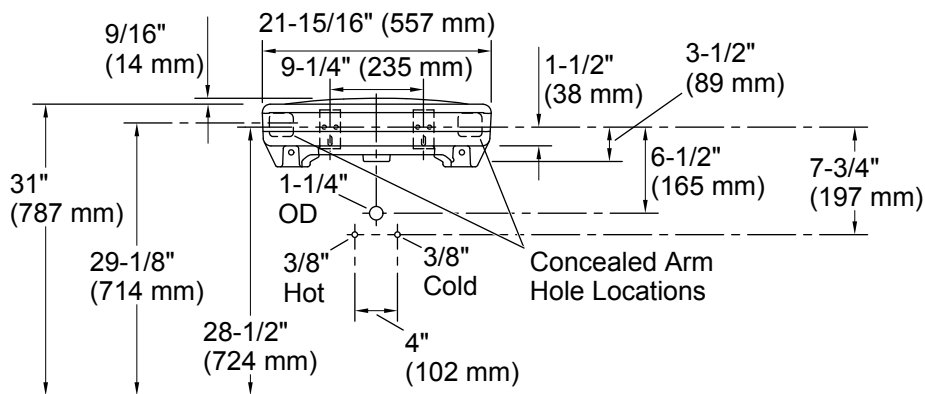
Color	Code	Description
	0	White



**Recommended ADA Installation**



**Children's Environment 6-12 Yrs  
Recommended ADA Installation**



**Standard Installation**

### Technical Information

All product dimensions are nominal.

- Bowl configuration: Single
- Installation: Wall-mount
- Bowl area (Only): Length: 14-3/8" (365 mm)  
Width: 12-5/16" (313 mm)  
With overflow: Yes  
Water depth: 3-1/4" (83 mm)
- Number of deck holes: 2
- Faucet hole(s): 1-3/8" (35 mm)
- Drain hole: 1-3/4" (44 mm)

### Notes

- Install this product according to the installation instructions.
- ADA, OBC, CSA B651 compliant when installed to the specific requirements of these regulations.