

FLATIRON ADAMUS-502GPSB



*Custom ADA compliant versions are available

• FEATURES

- 16-gauge type 304 stainless steel
- 90° zero radius design

• TECHNICAL INFORMATION

- External dimension: 23"Lx17"Wx5.5"D
- Basin dimensions: 21"Lx15"Wx5.5"D

• FINISHES

- Gray PVD Satin Brushed stainless steel

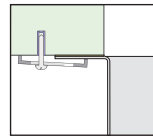
• INSTALLATION OPTIONS

- Top-mount
- Under-mount

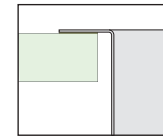
• MINIMUM CABINET SIZE (I.D.)

- Top-mount 24"
- Under-mount 26"

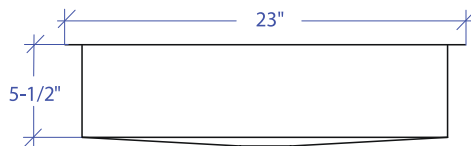
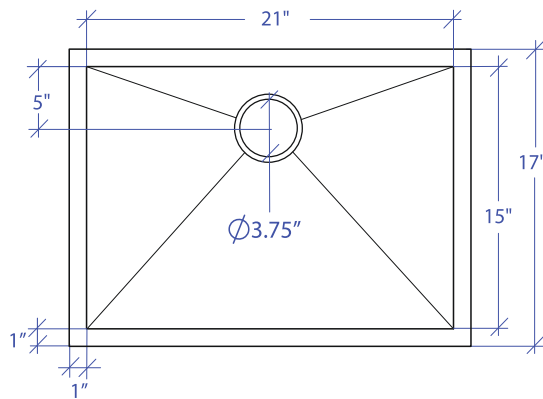
• DUAL-MOUNT INSTALLATION



Under-mount



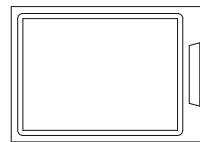
Top-mount



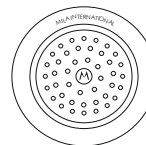
• ACCESSORY OPTIONS



MBG-054GPSB
Basin Grid



MCB-501BB
Cutting Board



MKD-101GPSB
Strainer

PROJECT INFORMATION			
Project			
Date	/ /	QTY	
Specifier			
Contact			
Note			