

ARC MARFS-655GDSB



*Flush-Mount Installation Kit is included with each sink
*Custom ADA compliant versions are available

• FEATURES

- 16-gauge type 304 stainless steel
- Hollow 304 stainless steel support beam
- 1/4" round profile basin

• TECHNICAL INFORMATION

- External dimension: 28.5"Lx18"Wx10"D
- Basin dimensions: 27"Lx16.5"Wx10"D
- Frame width: 3/4"
- Frame thickness: 5/16"

• FINISHES

- Gold PVD Satin Brushed stainless steel

• INSTALLATION OPTIONS

- Flush-mount

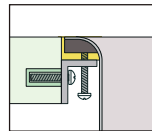
• MINIMUM CABINET SIZE (I.D.)

- Flush-mount 31.5"

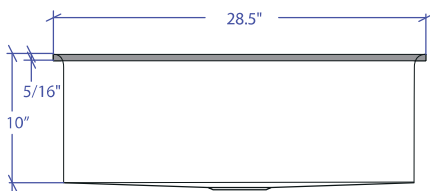
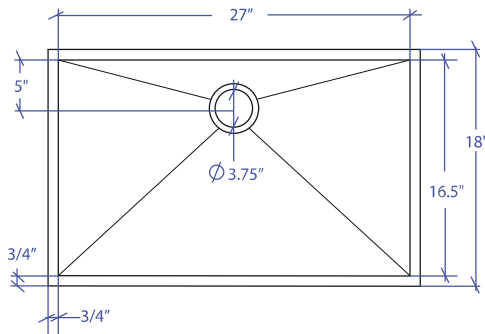
• INDUSTRY'S ONLY STAINLESS STEEL SINK DESIGNED SPECIFICALLY TO BE FLUSH-MOUNTED

• INTERNATIONAL PATENT PENDING

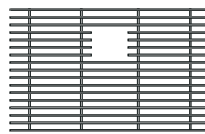
• FLUSH-MOUNT INSTALLATION



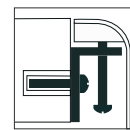
Flush-mount



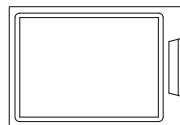
• ACCESSORIES



MBG-6517GDSB
Basin Grid



Flush Mount Kit
(Included)
MTK-612AL



MCB-651BB
Cutting Board



MKD-101GDSB
Strainer



MDC-101GDSB
Disposal Collar

PROJECT INFORMATION			
Project			
Date	/ /	QTY	
Specifier			
Contact			
Note			