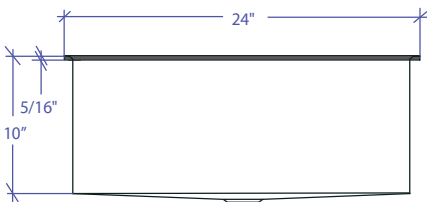
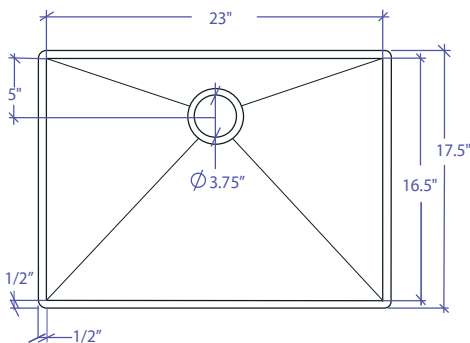


# PROFILE MPOFS-654GDSB-R



\*Flush-Mount Installation Kit is included with each sink  
\*Custom ADA compliant versions are available



## • FEATURES

- 16-gauge type 304 stainless steel
- 304 stainless steel support beam
- 90° zero radius design

## • TECHNICAL INFORMATION

- External dimension: 24" L x 17.5" W x 10" D
- Basin dimensions: 23" L x 16.5" W x 10" D
- Rim width: 1/2"
- Rim thickness: 5/16"
- Rim corner: 1/4" round

## • FINISHES

- Gold PVD Satin Brushed Stainless Steel

## • INSTALLATION OPTIONS

- Flush-mount

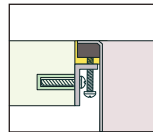
## • MINIMUM CABINET SIZE (I.D.)

- Flush-mount 27"

## • INDUSTRY'S ONLY STAINLESS STEEL SINK DESIGNED SPECIFICALLY TO BE FLUSH-MOUNTED

## • INTERNATIONAL PATENT PENDING

## • FLUSH-MOUNT INSTALLATION

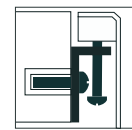


Flush-mount

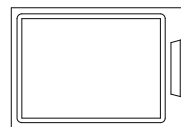
## • ACCESSORIES



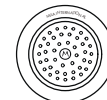
MBG-6509GDSB  
Basin Grid



Flush Mount Kit  
**(Included)**  
MTK-617AL



MCB-651BB  
Cutting Board



MKD-101GDSB  
Strainer



MDC-101GDSB  
Disposal Collar

| PROJECT INFORMATION |     |     |  |
|---------------------|-----|-----|--|
| Project             |     |     |  |
| Date                | / / | QTY |  |
| Specifier           |     |     |  |
| Contact             |     |     |  |
| Note                |     |     |  |