

SALAD MIXER MWSM-651GDSB



- **FEATURES**

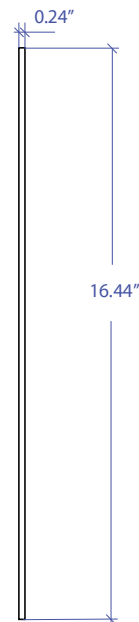
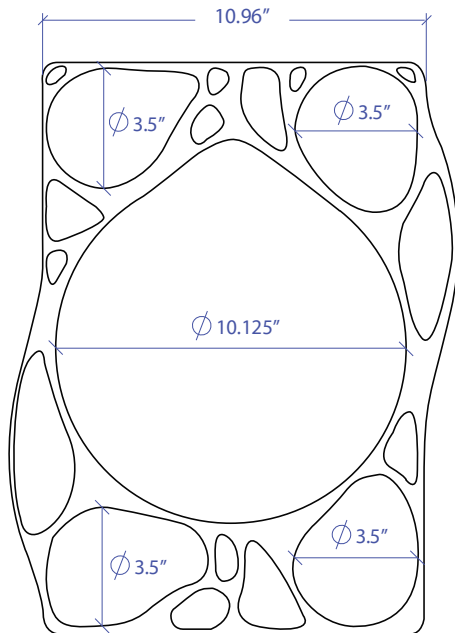
- Stainless steel construct
 - Removable salad mixer

- **TECHNICAL INFORMATION**

- Dimension: 16.44"Lx12.95"W
 - Thickness: 0.24"
 - Corner: 0.5" round

- **FINISHES**

- Gold PVD Satin Brushed stainless steel



PROJECT INFORMATION			
Project			
Date	/ /	QTY	
Specifier			
Contact			
Note			