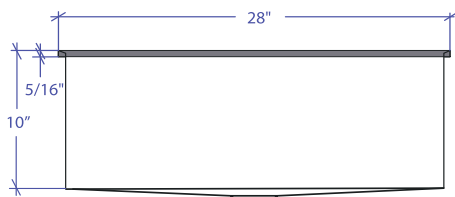
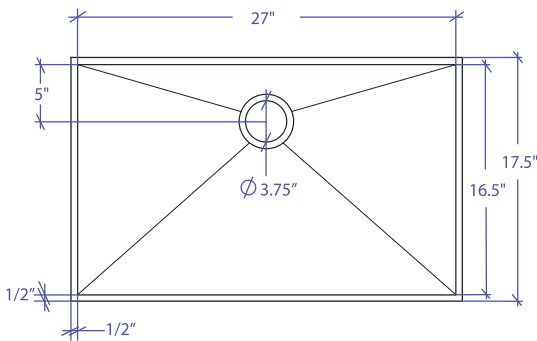


# LOUVRE MLFS-655SB



\*Flush-Mount Installation Kit is included with each sink  
\*Custom ADA compliant versions are available



## • FEATURES

- 16-gauge type 304 stainless steel
- Hollow 304 stainless steel support beam
- Bevel basin design

## • TECHNICAL INFORMATION

- External dimension: 28"Lx17.5"Wx10"D
- Basin dimensions: 27"Lx16.5"Wx10"D
- Frame width: 1/2"
- Frame thickness: 5/16"

## • FINISHES

- Satin Brushed stainless steel

## • INSTALLATION OPTIONS

- Flush-mount

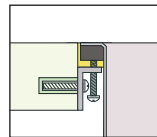
## • MINIMUM CABINET SIZE (I.D.)

- Flush-mount 31"

## • INDUSTRY'S ONLY STAINLESS STEEL SINK DESIGNED SPECIFICALLY TO BE FLUSH-MOUNTED

## • INTERNATIONAL PATENT PENDING

## • FLUSH-MOUNT INSTALLATION



Flush-mount

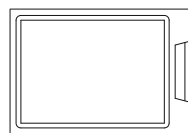
## • ACCESSORIES



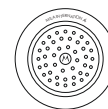
MBG-6517SB  
Basin Grid



Flush Mount Kit  
(Included)  
MTK-618AL



MCB-651BB  
Cutting Board



MKD-101SB  
Strainer

## PROJECT INFORMATION

|           |     |     |  |
|-----------|-----|-----|--|
| Project   |     |     |  |
| Date      | / / | QTY |  |
| Specifier |     |     |  |
| Contact   |     |     |  |
| Note      |     |     |  |