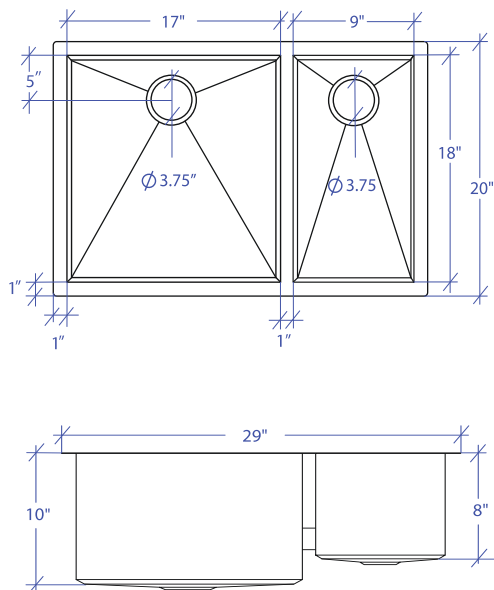


ORION MOUD-802SB



*Custom ADA compliant sinks are available



• FEATURES

16-gauge type 304 stainless steel
Bevel basin design

• TECHNICAL INFORMATION

External dimension: 29"Lx20"Wx10"D
Basin dimensions:
Left: 17"Lx18"Wx10"D
Right: 9"Lx18"Wx8"D

• FINISHES

Satin Brushed stainless steel

• INSTALLATION OPTIONS

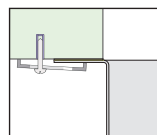
Top-mount
Under-mount

• MINIMUM CABINET SIZE (I.D.)

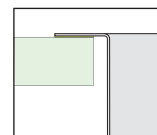
Top-mount 30"
Under-mount 32"

• US DESIGN PATENT D618,324 S

• DUAL-MOUNT INSTALLATION

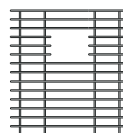


Under-mount



Top-mount

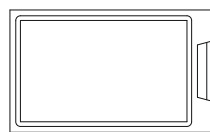
• ACCESSORY OPTIONS



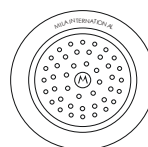
MBG-083SB
Basin Grid



MBG-081SB
Basin Grid



MCB-801BB
Cutting Board



MKD-101SB
Strainer

PROJECT INFORMATION			
Project			
Date	/ /	QTY	
Specifier			
Contact			
Note			