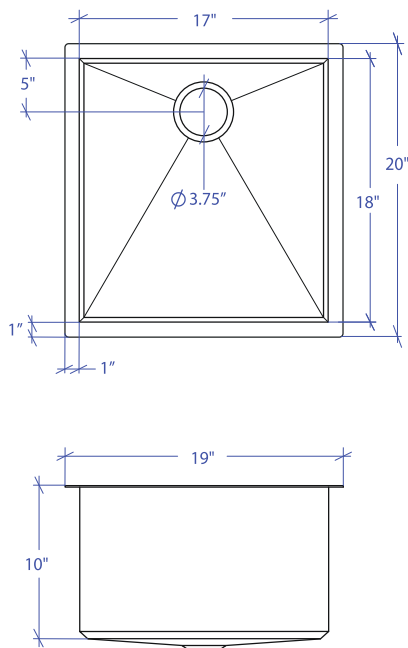


ORION MOUS-802SB



**Custom ADA compliant sinks are available*



PROJECT INFORMATION			
Project			
Date	/ /	QTY	
Specifier			
Contact			
Note			

• FEATURES

16-gauge type 304 stainless steel
Bevel basin design

• TECHNICAL INFORMATION

External dimension: 19"Lx20"Wx10"D
Basin dimensions: 17"Lx18"Wx10"D

• FINISHES

Satin Brushed stainless steel

• INSTALLATION OPTIONS

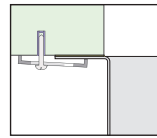
Top-mount
Under-mount

• MINIMUM CABINET SIZE (I.D.)

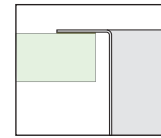
Top-mount 20"
Under-mount 22"

• US DESIGN PATENT D618,324 S

• DUAL-MOUNT INSTALLATION

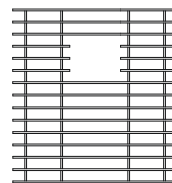


Under-mount

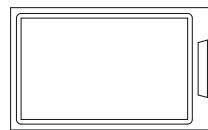


Top-mount

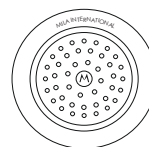
• ACCESSORY OPTIONS



MBG-083SB
Basin Grid



MCB-801BB
Cutting Board



MKD-101SB
Strainer

DUAL-MOUNT