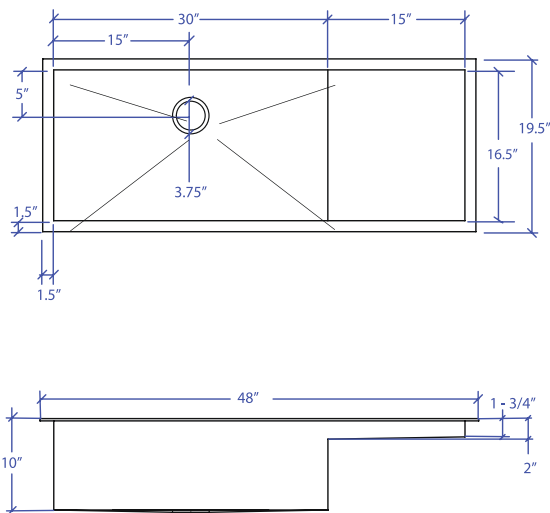


ATELIER MPS-653SB



**Custom ADA compliant sinks are available*



• FEATURES

16-gauge type 304 stainless steel
TRI-MOUNT™ installation system

• TECHNICAL INFORMATION

External dimension: 48"Lx19.5"Wx10"D
Basin dimensions: 30"Lx16.5"Wx10"D
Prepboard: 15"
Frame width: 1-1/2"
Frame thickness: 1/4"

• FINISHES

Satin Brushed stainless steel

• INSTALLATION OPTIONS

Flush-mount
Top-mount
Under-mount

• MINIMUM CABINET SIZE (I.D.)

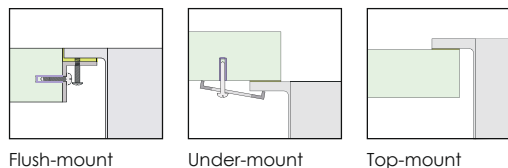
Flush-mount 50"
Top-mount 47"
Under-mount 51"

• INDUSTRY'S ONLY STAINLESS STEEL SINK DESIGNED SPECIFICALLY TO BE FLUSH-MOUNTED

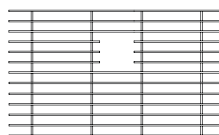
• U.S. PATENT NO. 9,988,799

• CANADIAN PATENT NO. 2579506

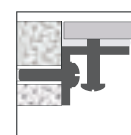
• TRI-MOUNT INSTALLATION



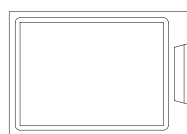
• ACCESSORIES



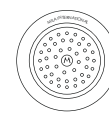
MBG-6512SB
Basin Grid



MTK-114AL
Mounting Kit



MCB-651BB
Cutting Board



MKD-101SB
Strainer

| PROJECT INFORMATION | | | |
|---------------------|-----|-----|--|
| Project | | | |
| Date | / / | QTY | |
| Specifier | | | |
| Contact | | | |
| Note | | | |