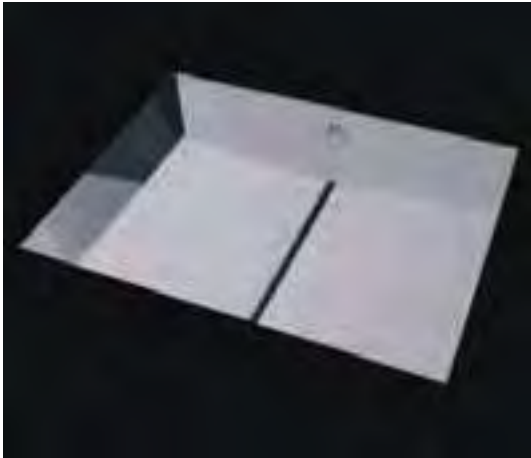
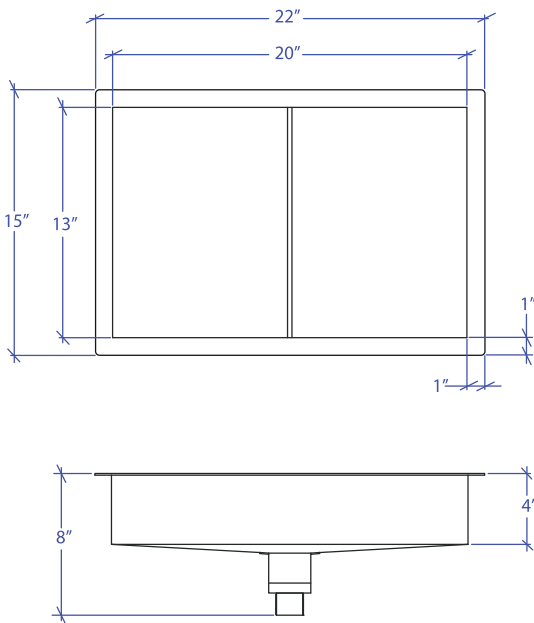


FLATIRON MUB-302P



*ADA compliant



• FEATURES

16-gauge type 304 stainless steel
90° zero radius design

• TECHNICAL INFORMATION

External dimension: 22"Lx15"Wx4"D
Basin dimensions: 20"Lx13"Wx4"D

• FINISHES

Polished Mirror Finish

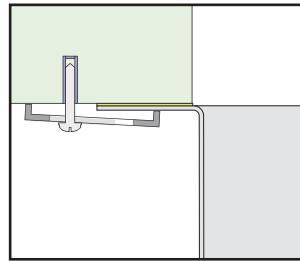
• INSTALLATION OPTIONS

Top-mount
Under-mount

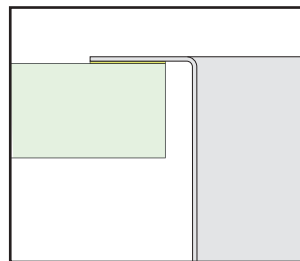
• MINIMUM CABINET SIZE (I.D.)

Flush-mount 23"
Top-mount 25"

• DUAL-MOUNT INSTALLATION



Under-mount



Top-mount

PROJECT INFORMATION			
Project			
Date	/ /	QTY	
Specifier			
Contact			
Note			