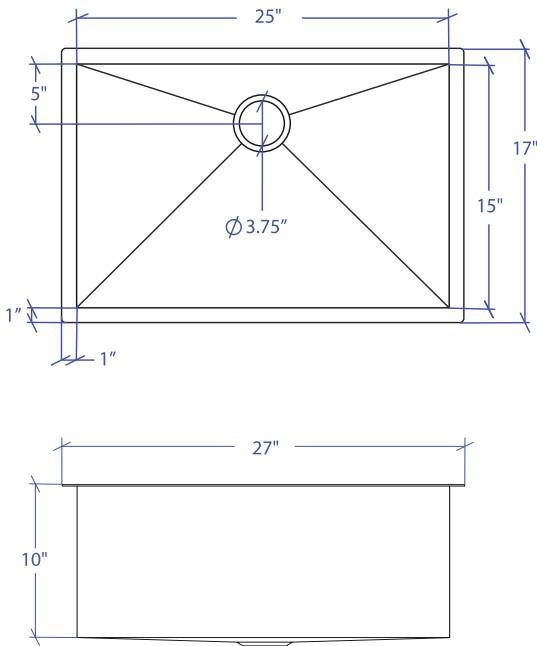


FLATIRON MUS-503GPSB

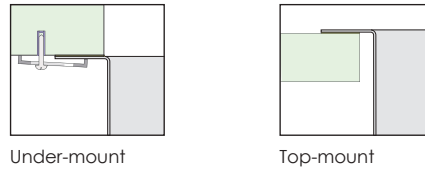


*Custom ADA compliant versions are available

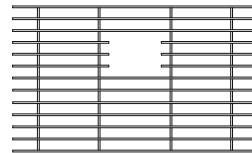


- FEATURES**
 16-gauge type 304 stainless steel
 90° zero radius design
- TECHNICAL INFORMATION**
 External dimension: 27"Lx17"Wx10"D
 Basin dimensions: 25"Lx15"Wx10"D
- FINISHES**
 Gray PVD Satin Brushed stainless steel
- INSTALLATION OPTIONS**
 Top-mount
 Under-mount
- MINIMUM CABINET SIZE (I.D.)**
 Top-mount 28"
 Under-mount 30"

DUAL-MOUNT INSTALLATION



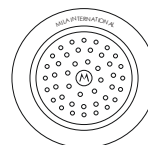
ACCESSORY OPTIONS



MBG-055GPSB
Basin Grid



MCB-501BB
Cutting Board



MKD-101GPSB
Strainer

PROJECT INFORMATION			
Project			
Date	/ /	QTY	
Specifier			
Contact			
Note			