

FLATIRON MUS-504GPSB



*Custom ADA compliant versions are available

• FEATURES

16-gauge type 304 stainless steel
90° zero radius design

• TECHNICAL INFORMATION

External dimension: 32"Lx17"Wx10"D
Basin dimensions: 30"Lx15"Wx10"D

• FINISHES

Gray PVD Satin Brushed stainless steel

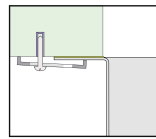
• INSTALLATION OPTIONS

Top-mount
Under-mount

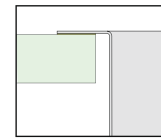
• MINIMUM CABINET SIZE (I.D.)

Top-mount 33"
Under-mount 35"

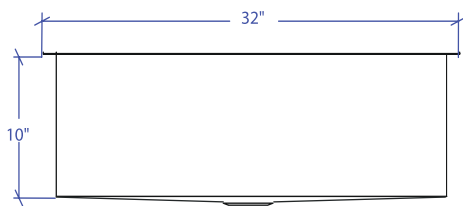
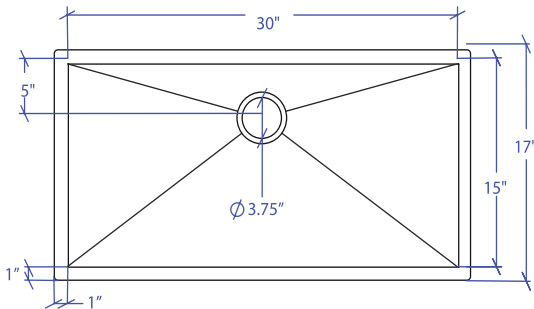
• DUAL-MOUNT INSTALLATION



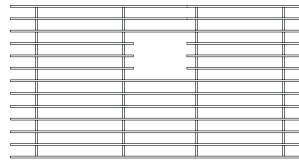
Under-mount



Top-mount



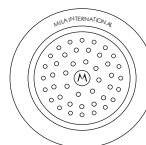
• ACCESSORY OPTIONS



MBG-056GPSB
Basin Grid



MCB-501BB
Cutting Board



MKD-101GPSB
Strainer

| PROJECT INFORMATION | | | |
|---------------------|-----|-----|--|
| Project | | | |
| Date | / / | QTY | |
| Specifier | | | |
| Contact | | | |
| Note | | | |