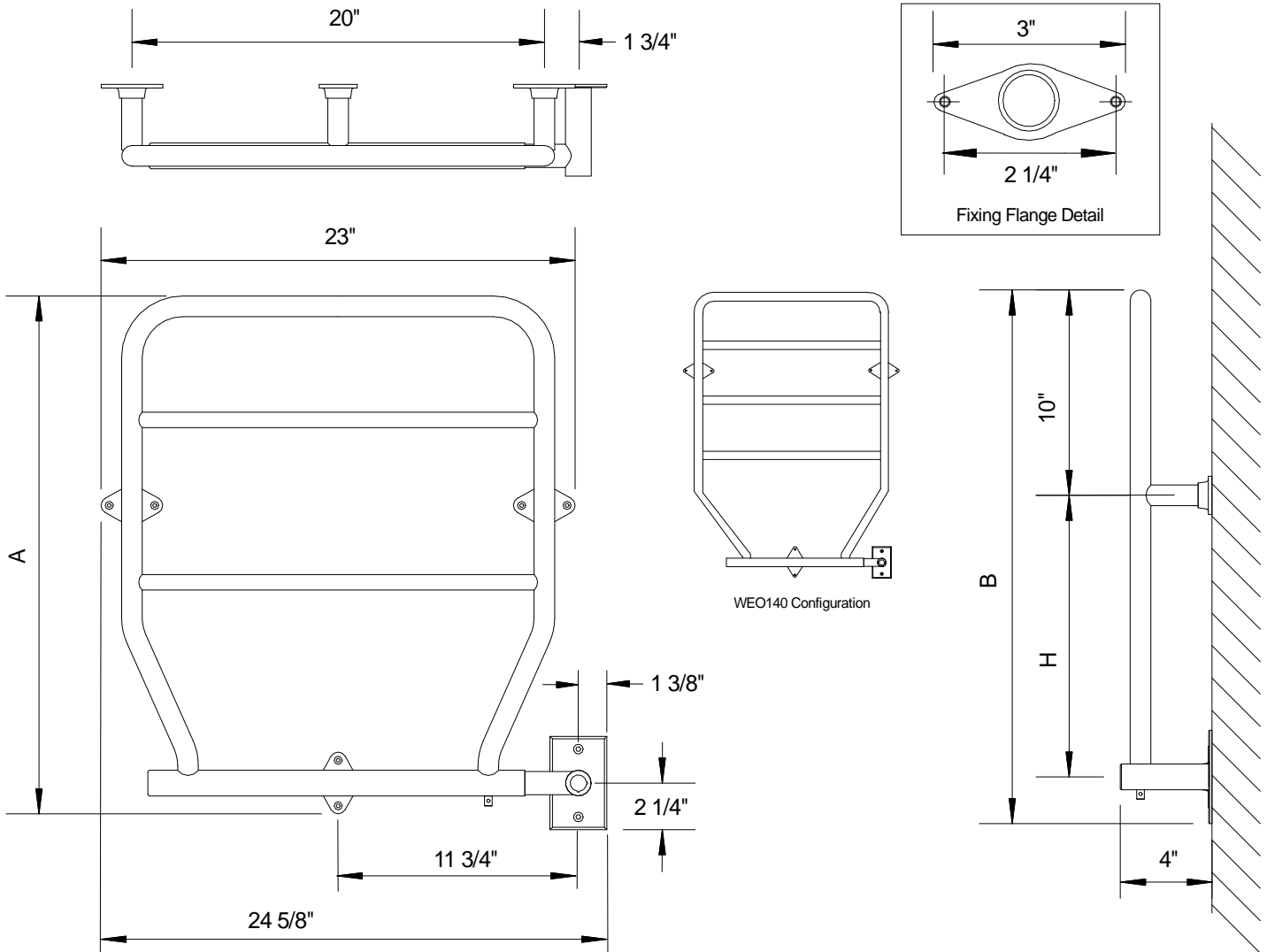




Tamar WEO Classic ELECTRIC

Technical Information

- 120VAC 60Hz
- 1" Tube Diameter
- Smart Thermo Control Element
- Steel Construction



MODEL	Dim "A"	Dim "B"	Dim "H"	Watts*	Amps	Wgt. (lbs)
WEO100	25 3/16"	25 15/16"	13 11/16"	95 PL 110 PA	.86 1.0	21
WEO140	34 1/2"	35 1/4"	23"	135 PL 185 PA	1.23 1.68	31

*Represents draw at steady state. Power could be higher during warm up.
 PL = Plated Finishes
 PA = Painted Finishes

WEO
 No Scale
 REV A 11/07/09