

Towel Ring Installation Instructions Model No. 15-09

Recommended Installation by a Professional Contractor

1. Drill holes in wall at points marked using the appropriate drill size:

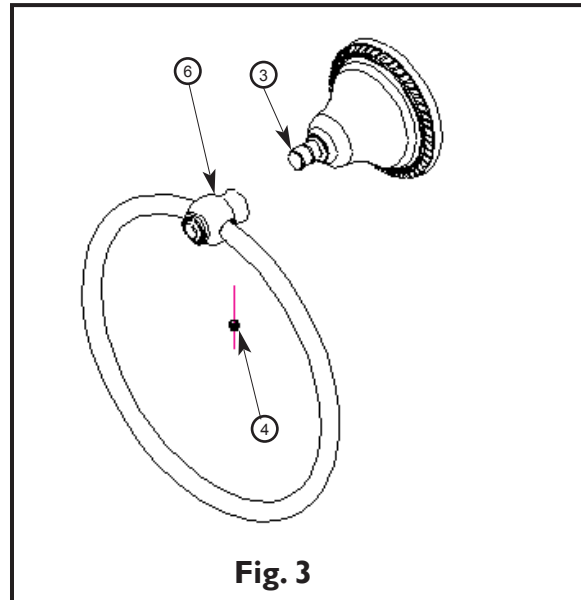
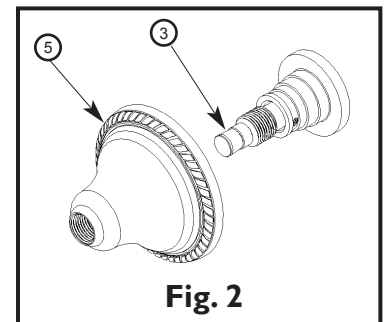
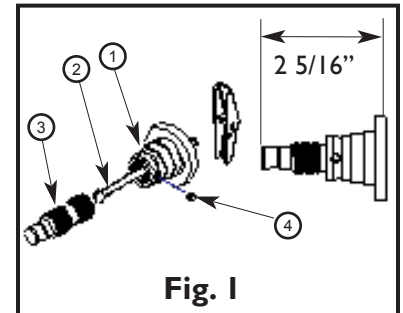
- Wood Screw (#6 x 2") - use: 3/32" Drill
- Toggle Screw (6-32 x 3") - use: 3/8" Drill

2. Loosen SETSCREW (4) in FLANGE (1) and remove POST (3). Fasten FLANGE (1) to wall using either WOOD/TOGGLE SCREWS (2). (See Fig. 1) Align FLANGE (1) so that upper flat is level.

3. Thread POST (3) onto FLANGE (1) Position POST (3) height to 2 5/16" from mounting surface. Secure POST (3) into place by tightening SETSCREW (4). (See Fig. 1)

4. Thread ESCUTCHEON (5) onto FLANGE POST (3). (See Fig. 2)

5. **Towel Ring:** Slide END POST (6) onto FLANGE POST (3) and secure into place with SETSCREW (4). (See Fig. 3)



NEWPORT BRASS
Flawless Beauty. From Faucet to Finish.™

2001 CARNEGIE AVE, SANTA ANA CA 92705
(949) 417-5207

WWW.NEWPORTBRASS.COM