

NEWPORT BATH

Features

- Solid brass construction
- Counter clockwise flow on direction.
- Quarter-turn washerless ceramic valve cartridge.
- 3/4" NPT female thread (inlet and outlet) valve body
- Requires Newport Brass Handle Trim (many options available, sold-separately)

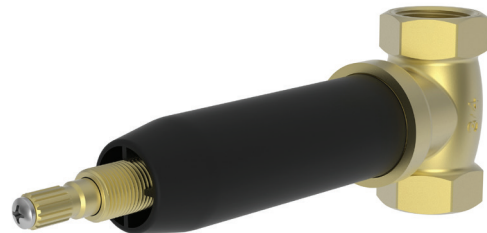
Flow Control Valve **1-607U**



Codes / Standards Compliance

Meets or exceeds the following at date of manufacture:

- ASME A112.18.1/CSA B125.1-18
- IAMPO/cUPC
- IPC
- All applicable US Federal and State material regulations



Colors / Finishes

- 10B: Oil Rubbed Bronze
- 15: Polished Nickel
- 15S: Satin Nickel - PVD
- 26: Polished Chrome
- Other: Refer to the Newport Brass catalog for additional color/finish options.

Specified Model

Model	Description	Colors Finishes
1-607U	Flow Control Valve	<input type="checkbox"/> NA

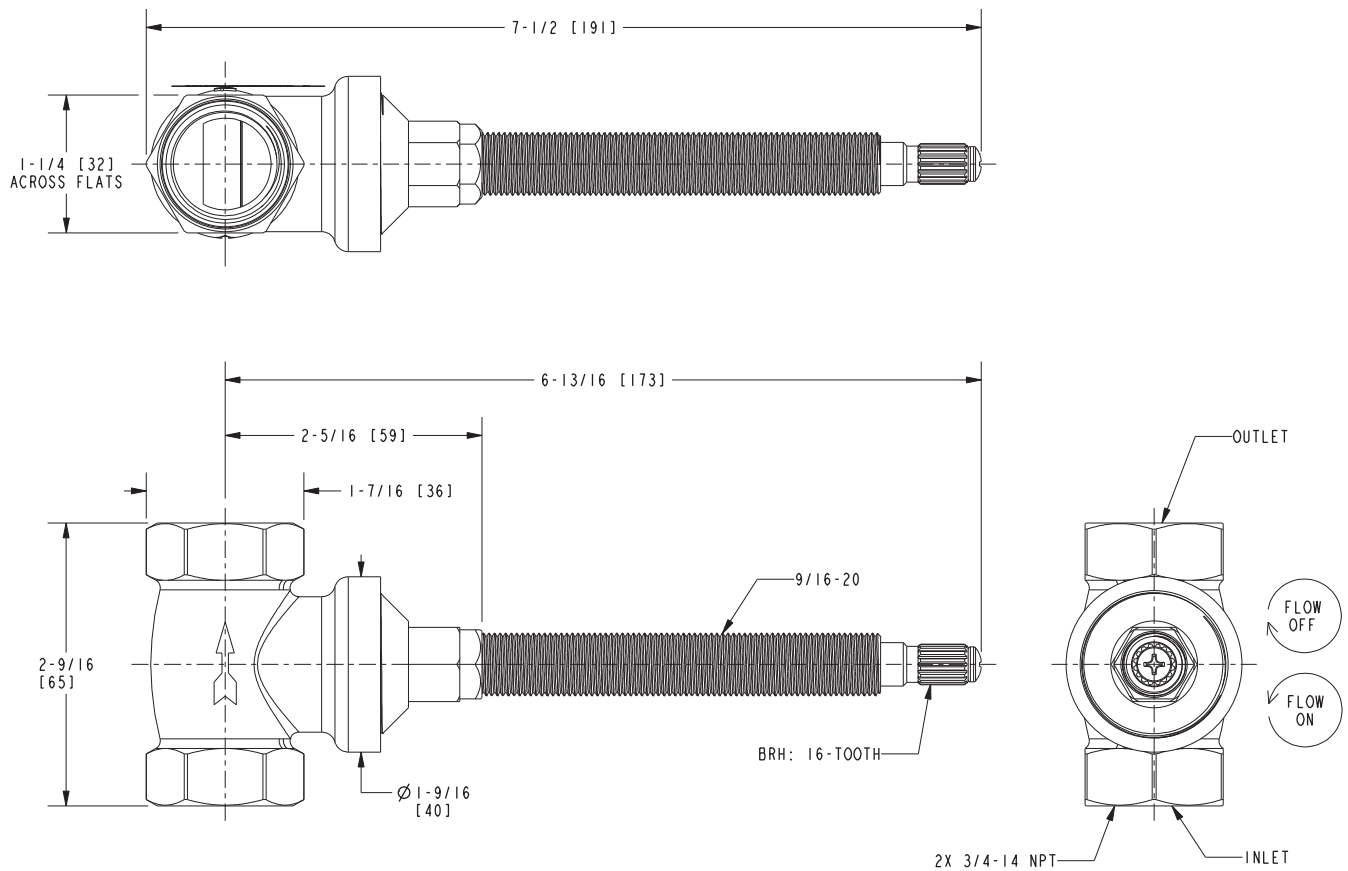
Product Specification:

Add "Color / Finish" suffix to Model number, below.

The Flow Control Valve for wall installations shall be made of solid brass construction. Valve body shall incorporate quarter-turn washerless ceramic disc valve cartridges. Valve body shall have 3/4" NPT female thread for inlet and outlet. The Flow Control Valve for wall installations shall be Newport Brass Model 1-607U.

1-607U

PRODUCT DIMENSIONS *(Units are in inches)*



Newport Flow Control Valve 1-607U