

Toilet Tissue Holder
38-27

Features

- Solid brass construction
- Single-post, open roller design
- Complements Ithaca product series

Codes / Standards Compliance

Meets or exceeds the following at date of manufacture:

- All applicable US Federal and State material regulations

Colors / Finishes

- 10B: Oil Rubbed Bronze
- 15: Polished Nickel
- 15S: Satin Nickel - PVD
- Other: Refer to the Newport Brass catalog for additional color/finish options.



Specified Model

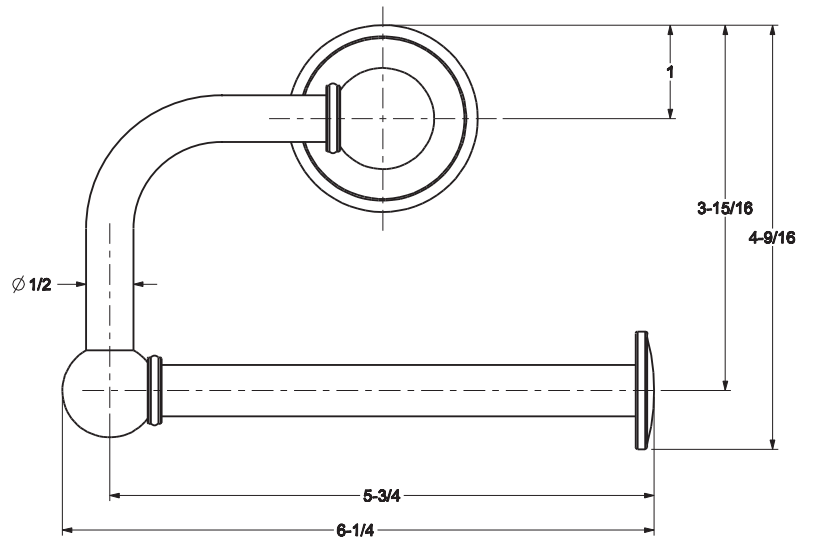
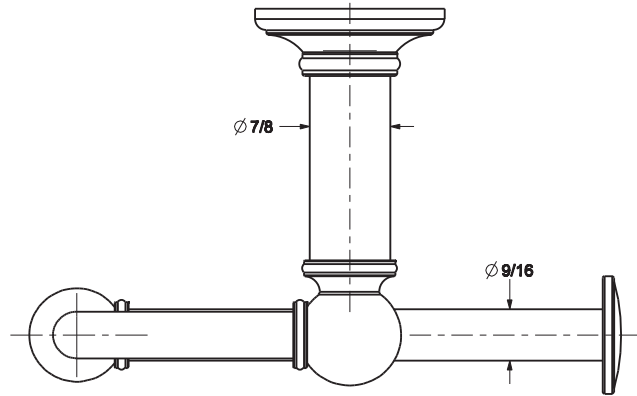
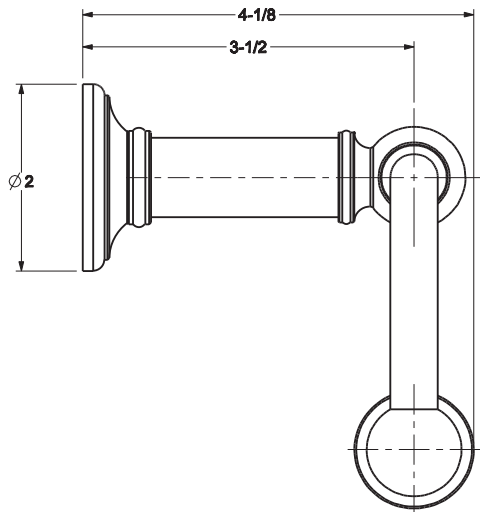
Model	Description	Colors Finishes
38-27	Open Toilet Tissue Holder	<input type="checkbox"/> 10B <input type="checkbox"/> 15 <input type="checkbox"/> 15S <input type="checkbox"/> 26 <input type="checkbox"/> Other

Product Specification: Add "Color / Finish" suffix to Model number, below.

The Toilet Tissue Holder shall be made of solid brass construction and incorporate a single-post, open roller design. Toilet Tissue Holder shall complement Newport Brass Ithaca product series. Toilet Tissue Holder shall be Newport Brass Model 38-27/_____.

38-27

PRODUCT DIMENSIONS *(Units are in inches)*



Ithaca Toilet Tissue Holder 38-27