

**Double Robe Hook**

**15-13**

**Features**

- Solid brass construction
- Complements Amisa product series

**Codes / Standards Compliance**

Meets or exceeds the following at date of manufacture:

- All applicable US Federal and State material regulations

**Colors / Finishes**

- 10B: Oil Rubbed Bronze
  - 15: Polished Nickel
  - 15S: Satin Nickel - PVD
  - 26: Polished Chrome
- Other: Refer to the Newport Brass catalog for additional color/finish options.



**Specified Model**

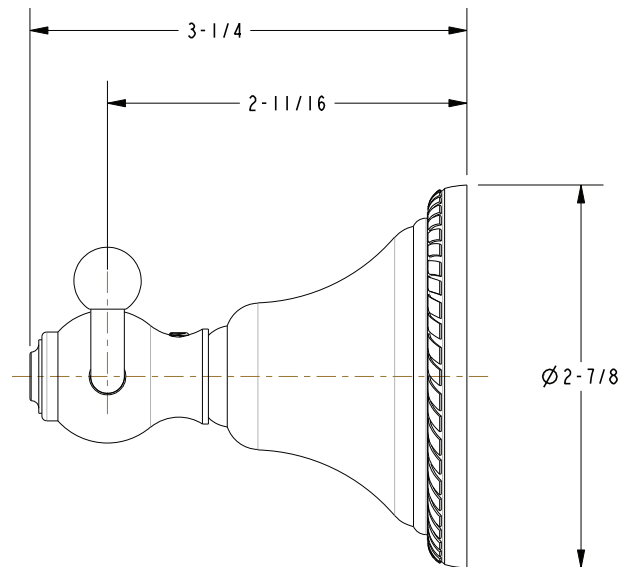
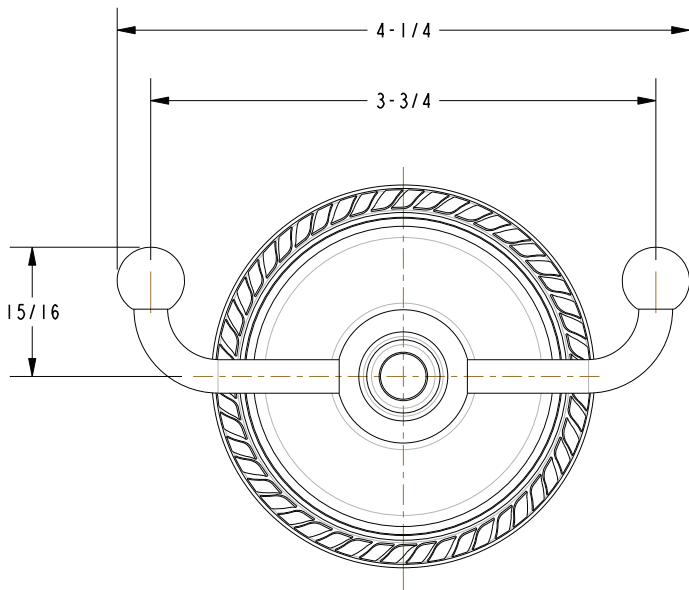
Model	Description	Colors   Finishes
15-13	Double Robe Hook	<input type="checkbox"/> 10B <input type="checkbox"/> 15 <input type="checkbox"/> 15S <input type="checkbox"/> 26 <input type="checkbox"/> Other

**Product Specification:** Add size designator and "Color / Finish" suffix to Model number, below.

The Double Robe Hook shall be made of solid brass construction. Double Robe Hook shall complement Newport Brass Fairfield product series. Double Robe Hook shall be Newport Brass Model 13-13/\_\_\_\_\_.

# 15-13

## PRODUCT DIMENSIONS *(Units are in inches)*



**Amisa Double Robe Hook**  
**15-13**