

# FACETED

8143 - WALL

8145 - LINEAR WALL

Project Name \_\_\_\_\_

Fixture Type \_\_\_\_\_

Quantity \_\_\_\_\_

Norwell | Lighting

ILEX

Custom Metalcraft



Sconce  
8143-CH-CL



Sconce  
8143-BN-CL

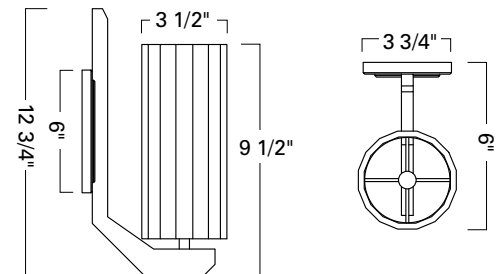


Linear Sconce  
8145-CH-CL

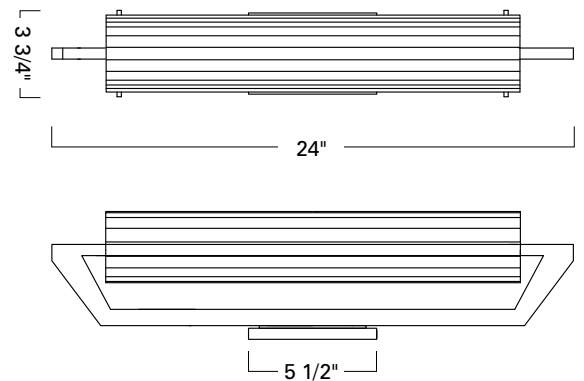


Linear Sconce  
8145-BN-CL

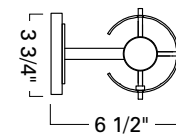
8143-Wall



8145-Linear



End View



Product Name / Model / Dimensions				Finish Options	Diffuser	Lamping Options
FACETED Sconce- 8143				Standard Chrome / CH Brushed Nickel / BN	Standard Ribbed Clear Glass (CL) Sconce Glass Size: 9 1/2 H X 3 1/2 W Linear Glass Size: 3 1/2 H X 19 W	Standard Incandescent 8143 - (1) 60 Watt Medium Base 8145 - (2) 60 Watt Medium Base  T10 style recommended
FACETED Linear - 8145						
	Height	Width	Projection			
8143	12 3/4"	3 3/4"	6"			
8145	3 3/4"	24"	6 1/4"			
8143 Backplate 6 H X 3 3/4 W						
8145 Backplate 3 3/4 H X 5 1/2 W						
*Trimplate dimensions						

Damp Location Rated and UL/ETL Listed \*Trimplate; TP-3 4 1/4 X 6 1/4

REV-4-2020

### DISCLAIMER:

Norwell Lighting and its companies, ILEX Architectural Lighting and Custom Metalcraft reserve the right to change specifications related to its product at anytime. USA Made indicates product is manufactured in East Taunton, Massachusetts facility. Phone: 508-823-1751