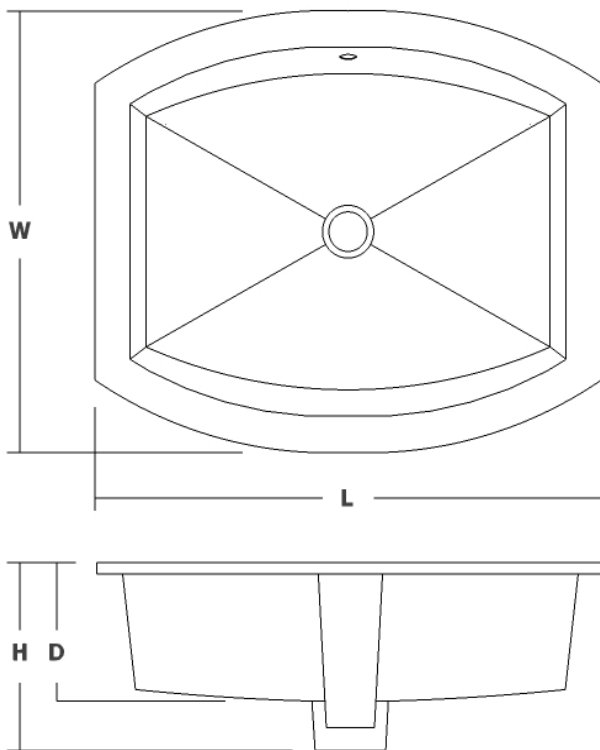


CHICAGO



SPECIFICATIONS:

CHICAGO SERIES

Undermount Application: With Fully Glazed Rim Surface

Chicago Deep: OD: 19.75" L x 16.75" W x 7" H x 5.25" D

ID: 17" L x 14" W

Chicago Shallow: OD: 19.75" L x 16.75" W x 7" H x 4.25" D

ID: 17" L x 14" W

Drain: 1.5"

ASME A112.19.1/CSA B45.2 Compliant

