

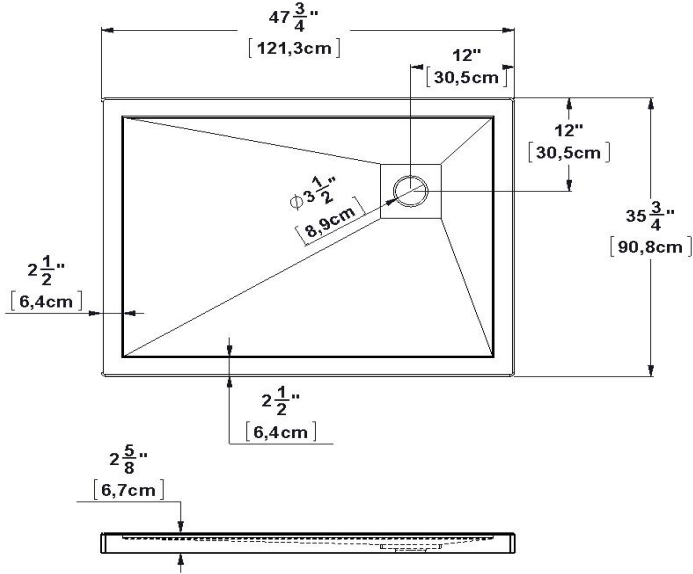
Base 48x36 RH corner drain Product code : **SB48R3612**

Draft revision : **20170326153000**

Nominal dimensions : **48" x 36" x 2,625" [121,9 cm x 91,4 cm x 6,7 cm]**

Material : **acrylic**

Draft and specs



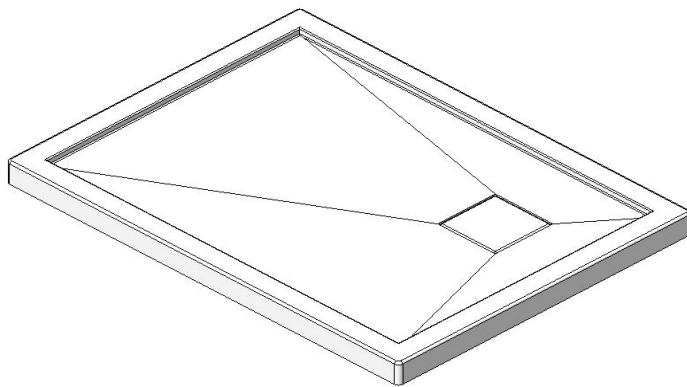
Specifications
Textured floor : no
Footrest : no
Characteristics : Corner base 12-12

Remarks
All measures have a precision of $\pm 1/4"$ (0,63cm)
If a measure is present on one side only, part is symmetrical



Available tile flanges configurations

* : configuration available only with aluminum tile flanges



Available options
Shower seat : SS16-A, SS16-B
Shower door : PB136 PB148 PB24836 PR23648 EKO48 EKO48R36 PBSD48 PBSD48R36 PBSD48R236

Additional note(s) :

Integrated tile flanges not shown. To be specified when ordering. Aluminium tile flanges can be supplied as an option.

IMPORTANT NOTE :
Specifications, dimensions and models are subject to change.
Visit our website <http://www.oceania-attitude.com> to access up-to-date dimensions and informations. In all cases, information on the website is the most up-to-date.