

\*BY APPROVING THIS DRAWING YOU ARE ENSURING THAT THESE DIMENSIONS HAVE BEEN FIELD VERIFIED.

APPROVED BY: \_\_\_\_\_ DATE: \_\_\_\_\_

REVISION REQUESTED

REV.	DESCRIPTION	DATE
B.1	UPDATED MOUNTING HOLES PAGE 2	12/17/19

**SPECIFICATION:**

THE MC CABLE IS BROUGHT IN THROUGH THE WALL AND INTO THE CHASSIS KNOCKOUT. PROVIDE 36.00" WHIP. INSERT GROUND WIRE IN GROUNDED CONNECTOR. INSERT HOT AND NEUTRAL WIRE INTO LUMINAIRE DISCONNECT. NO ELECTRICAL BOX REQUIRED. ELECTRICAL POWER SHOULD BE CONTROLLED BY A WALL SWITCH (BY OTHERS).

FIXTURE SHOULD BE MOUNTED TO A MECHANICALLY SOUND SURFACE SUCH AS WALL STUDS TO SUPPORT ITS WEIGHT. MOUNTING HOLES ARE PROVIDED IN THE CHASSIS.

**DIMMER COMPATIBILITY:**

TO ENSURE PROPER OPERATION OF THIS DIMMABLE PRODUCT IT IS IMPORTANT TO SELECT A COMPATIBLE DIMMING SWITCH. THIS LUMINAIRE REQUIRES A COMPATIBLE FORWARD PHASE LINE DIMMER SWITCH. CONTACT THE CONTROLLER MANUFACTURER TO CONFIRM COMPATIBILITY WITH THIS PRODUCT. MUST BE INSTALLED IN ACCORDANCE WITH ALL NATIONAL AND LOCAL ELECTRICAL CODES.

ELECTRIC MIRROR IS NOT RESPONSIBLE FOR DIMMER SWITCH COMPATIBILITY. THIS PRODUCT USES: SMT-024-060VT TRIAC PHASE DIMMING DRIVER.

**POWER REQUIREMENTS:**

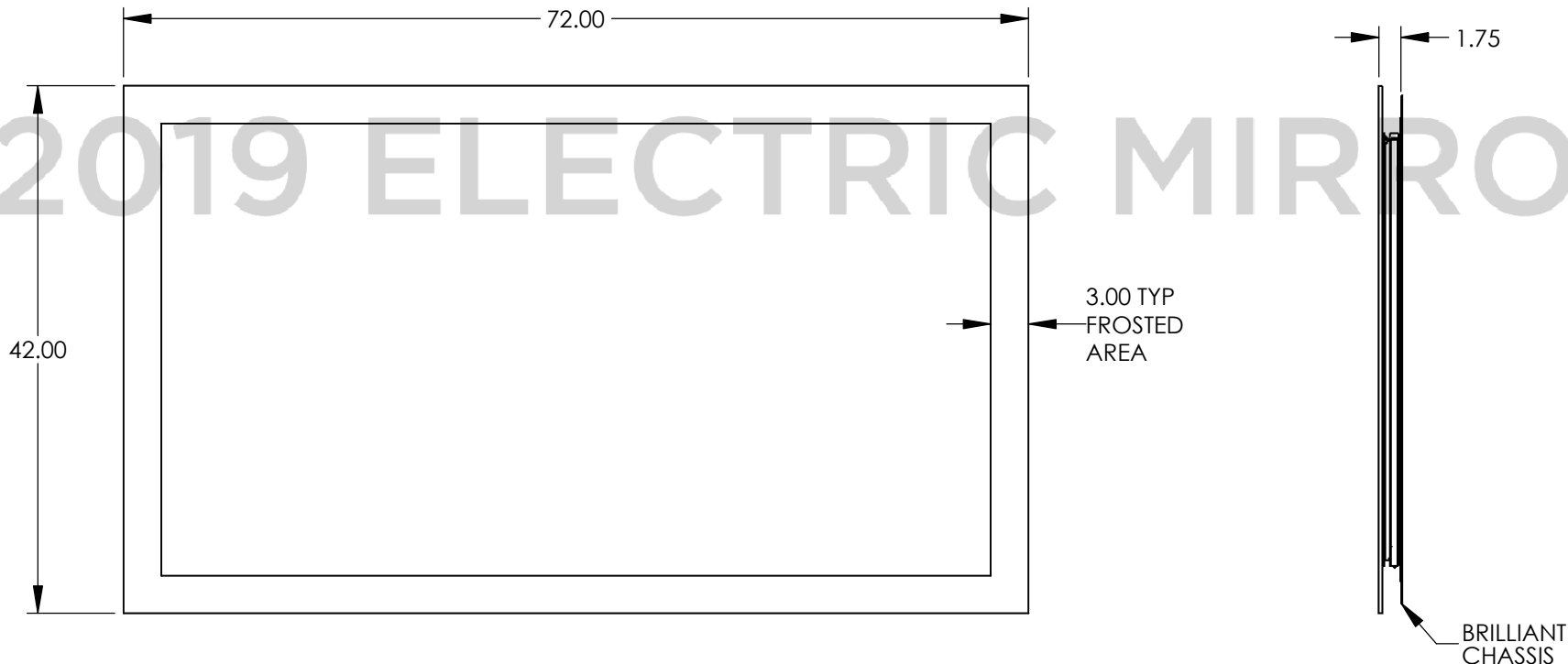
120 VOLTS, 1.33 AMPS

**LED SPECIFICATION:**

LED TYPE: L7 HO FLEX STRIPS W/ DIFFUSED EXTRUSION  
 LENGTH (IN): 4X 64 AND 2X 34  
 WATTAGE: 160  
 AVG RATED LIFE (HRS): 50000  
 CCT(K): 3000  
 LUMENS: 60/IN  
 CRI: 90

**FIXTURE SPECIFICATION:**

WEIGHT: 82 LBS (EST.)



**ELECTRIC MIRROR**® 2019

SIL2-72.00X42.00-D2-L7CSHD-30K

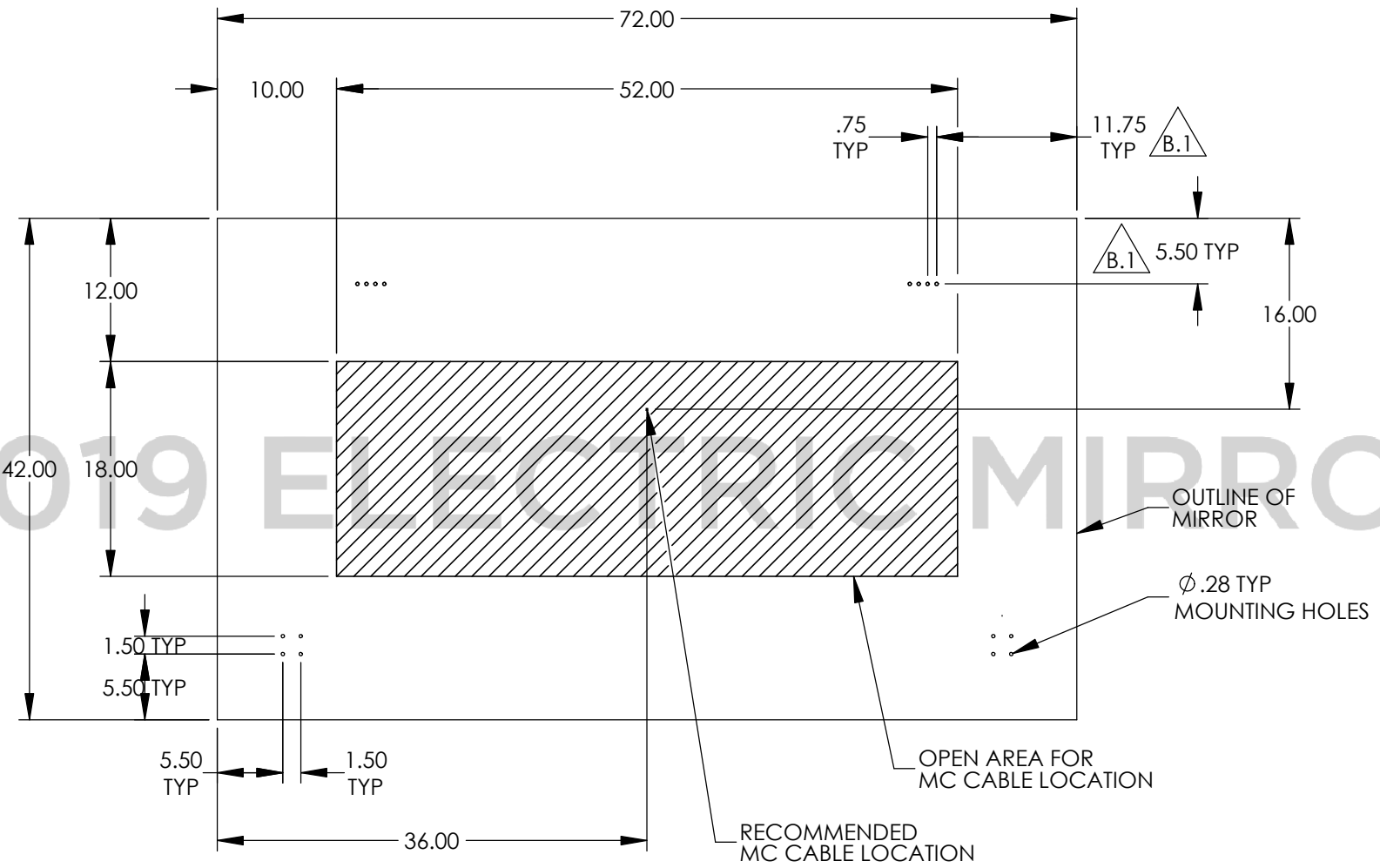
SALES AID -12/17/2019

CONTACT US: consultants@electricmirror.com T+1.425.776.4946

**PROPRIETARY AND CONFIDENTIAL:**

THE INFORMATION CONTAINED IN THIS DRAWING IS THE SOLE PROPERTY OF ELECTRIC MIRROR L.L.C. ANY REPRODUCTION IN PART OR AS A WHOLE WITHOUT THE WRITTEN PERMISSION OF ELECTRIC MIRROR L.L.C. IS PROHIBITED. © 2019 ELECTRIC MIRROR

DIMS IN INCHES [mm] TOLERANCE: ±1/8" [±3]	REV. B.1
SCALE: 1:14	PG. 1 OF 2



**WALL MOUNTING DETAILS**  
**FRONT VIEW**

**ELECTRIC MIRROR**® 2019

SIL2-72.00X42.00-D2-L7CSHD-30K

SALES AID -12/17/2019

CONTACT US: consultants@electricmirror.com T+1.425.776.4946

**PROPRIETARY AND CONFIDENTIAL:**

THE INFORMATION CONTAINED IN THIS DRAWING IS THE SOLE PROPERTY OF ELECTRIC MIRROR L.L.C. ANY REPRODUCTION IN PART OR AS A WHOLE WITHOUT THE WRITTEN PERMISSION OF ELECTRIC MIRROR L.L.C. IS PROHIBITED. © 2019 ELECTRIC MIRROR

DIMS IN INCHES [mm]  
TOLERANCE: ±1/8" [±3]

REV. B.1

SCALE: 1:14

PG. 2 OF 2