

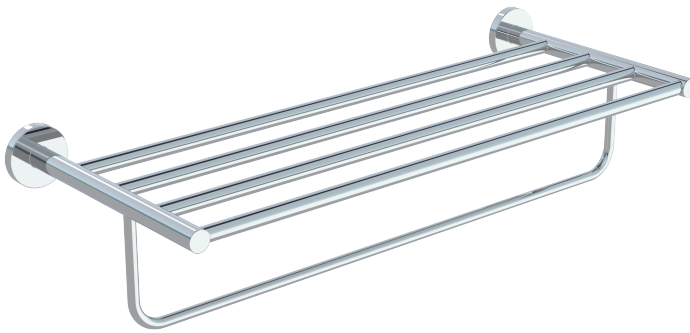
Towel Rack

- Zinc back plate
- Mounting kit included

PRODUCT SPECIFICATION SHEET

TOWEL RACK SERIES

SYD-TR-R-PC



FEATURES

- MODERN DESIGN
- CAST BACKINGS
- ZINC+STEEL COMPOSITION
- WALL MOUNTED

FINISHES IN STOCK

- POLISHED CHROME (PC)
- BRUSHED NICKEL (BN)

MATERIAL

- ZINC
- STAINLESS STEEL 304

WARRANTY

- LIFETIME LIMITED (RESIDENTIAL USE)
- ONE YEAR (COMMERCIAL USE)

Product Code	Name	Finishes	Sizes (mm)			Sizes (Inches)		
			Length	Width	Height	Length	Width	Height
SYD - TR-R	Towel Rack	PC, BN	584	135	229	23	5 5/16	9
SYD - TR-S	Towel Rack	PC, BN	578	132	229	22 3/4	5 3/16	3

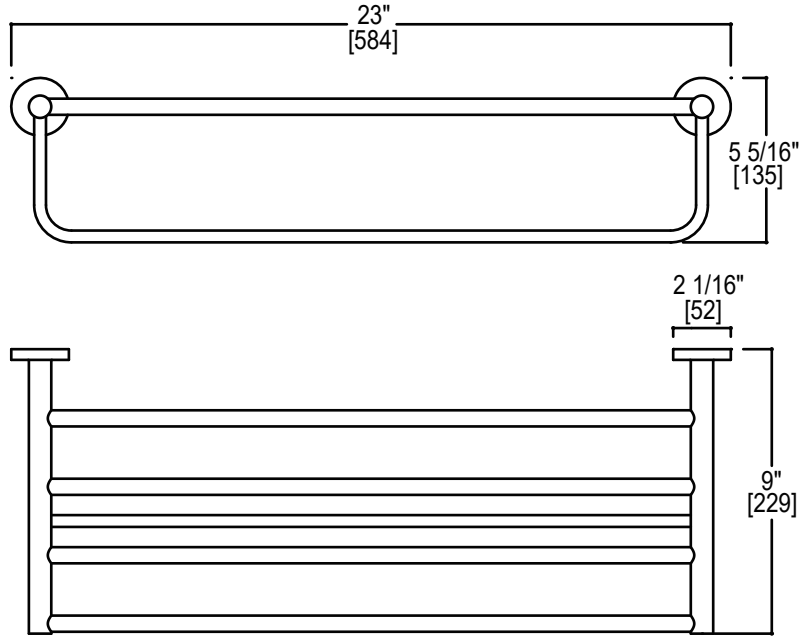
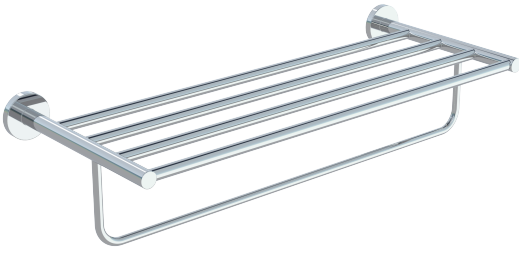


Bathroom Accessories

Towel Rack

- Zinc back plate
- Mounting kit included

Towel Rack
SYD-TR-R-PC



Towel Rack
SYD-TR-S-PC

