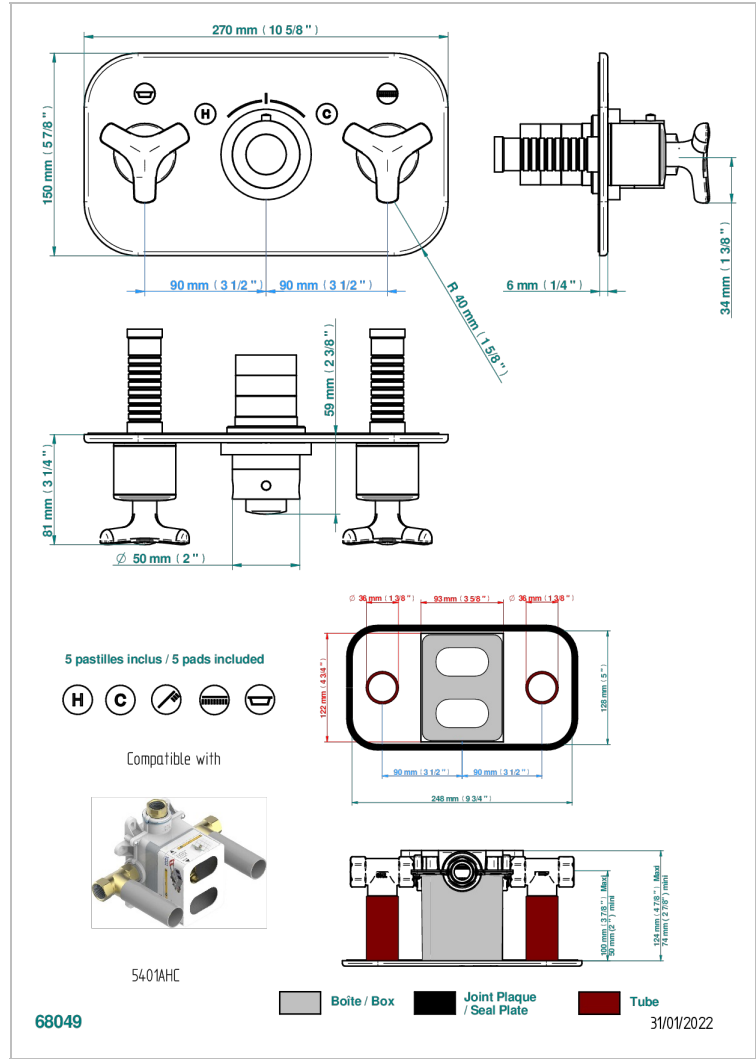
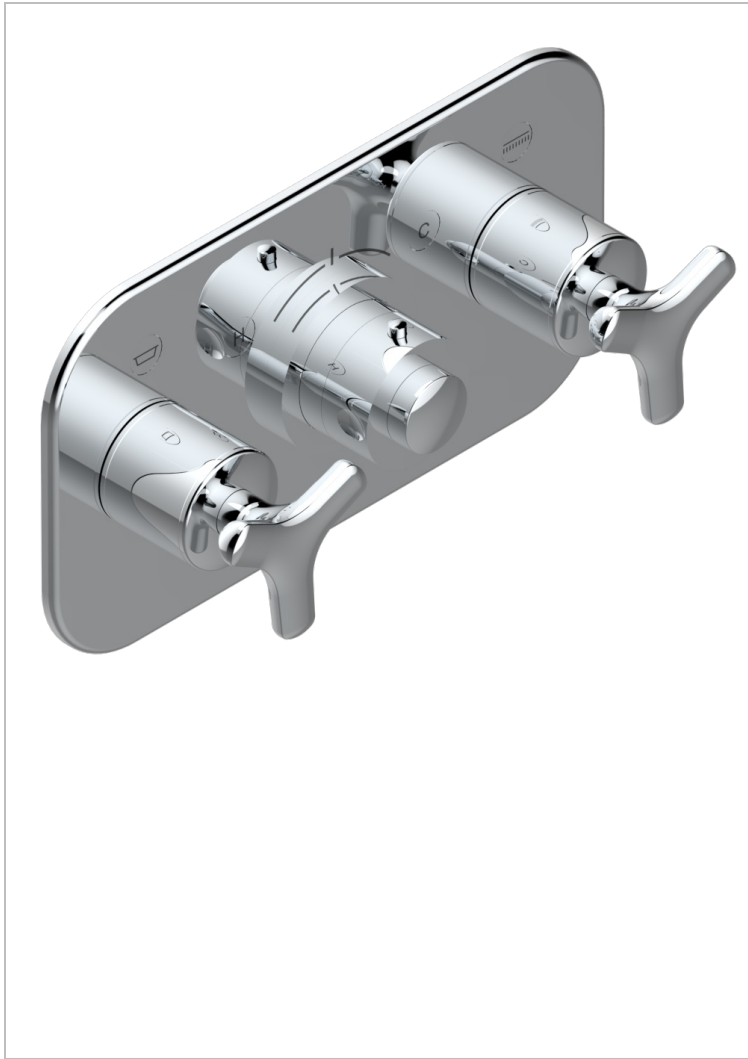


Trim for thermostatic mixer with 2 valves item to be installed horizontal . to adapt on 5 401AHC or 5 401AHM



CHARACTERISTIC

- Bondi
- Trim for thermostatic mixer with 2 valves item to be installed horizontal . to adapt on 5 401AHC or 5 401AHM

RELATED SKU'S

- Ref. G00-5401AHC 3/4" THG thermostat, 60 l/mn with two valves with wax cartridge delivered with a built-in box, without trim - to be installed horizontal (for installation with cross handle)
- Ref. G00-5401AHM 3/4" THG thermostat, 60 l/mn with two valves with wax cartridge delivered with a built-in box, without trim - to be installed horizontal (for installation with lever handle)

AVAILABLE FINITIONS

Antique nickel - H28
 Blush PVD - H62
 Brass color PVD - H49
 Brown bronze color PVD - F33
 Gold color PVD - H52
 Graphite PVD - H64

Lacquered antique silver (coated) - HO3
 Lacquered light bronze - D01
 Matt Umber PVD - H67
 Matt blush PVD - H60
 Matt brass color PVD - H50
 Matt brown bronze color PVD - F34

Matt chrome - C02
 Matt gold - F07
 Matt gold color PVD - H53
 Matt graphite PVD - H65
 Matt nickel (color finish) - C01
 Matt nickel color PVD - H56

Nickel color PVD - H55
 Polished chrome (color finish) - A02
 Polished chrome / Polished gold (color finish) - G02
 Polished gold (color finish) - F01
 Polished nickel - B01
 Soft gold - F30

Soft matt gold - F31
 Umber PVD - H66
 Varnished matt antique red copper (color finish) - H07