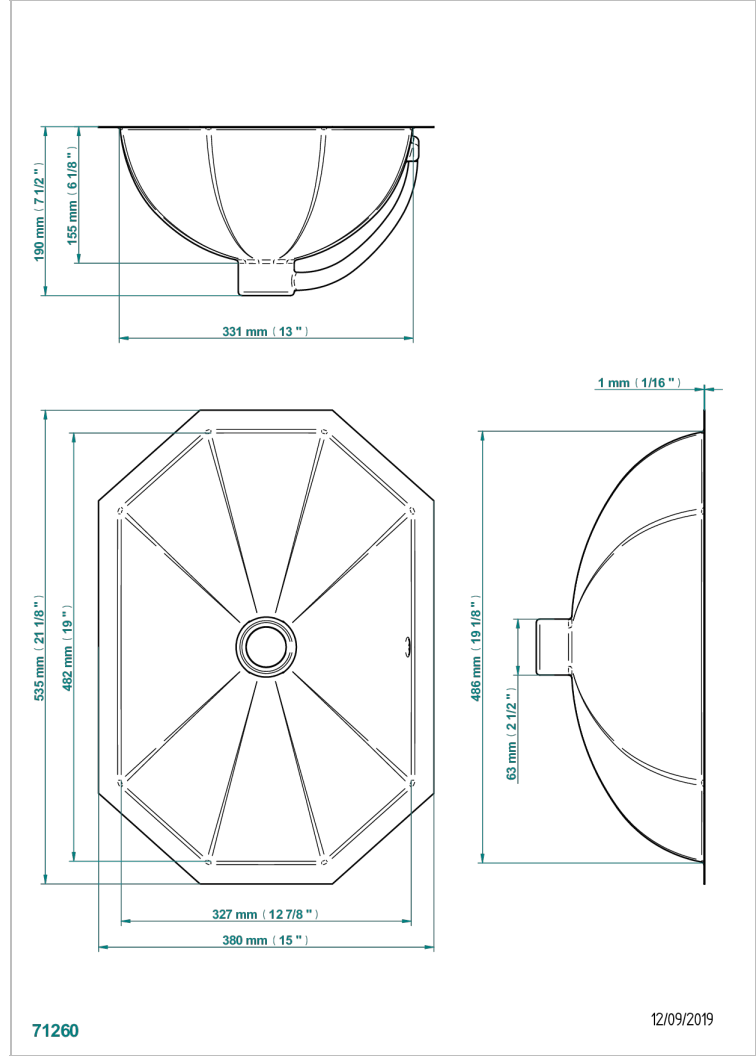


METAL BASIN

GB2-4/BP

Rectangular basin 21 1/8" x 15" with overflow and flat edge, to fix under, hammered metal finishing



CHARACTERISTIC

- Metal Basin
- Rectangular basin 21 1/8" x 15" with overflow and flat edge, to fix under, hammered metal finishing

AVAILABLE FINITIONS

- Chrome polished - A02
- Gold polished - F01
- Matt nickel (American satin) - C01
- Natural brass, uncoated (metal basin) - O05
- Natural red copper, uncoated (metal basin) - O04
- Nickel polished - B01

Soft gold - F30