

FEATURES

- Solid brass construction
- Mounting hardware for both drywall & tile included

PRODUCT SPECIFICATION

Product shall have solid brass construction and include installation hardware. Product shall be TOTO Model Y_794_____.

MODELS

- YB794 - Towel Bar
- YH794 - Robe Hook
- YP794 - Paper Holder
- YR794 - Towel Ring

COLORS/FINISHES

- #CP Polished Chrome
- #BN Brushed Nickel
- #PN Polished Nickel

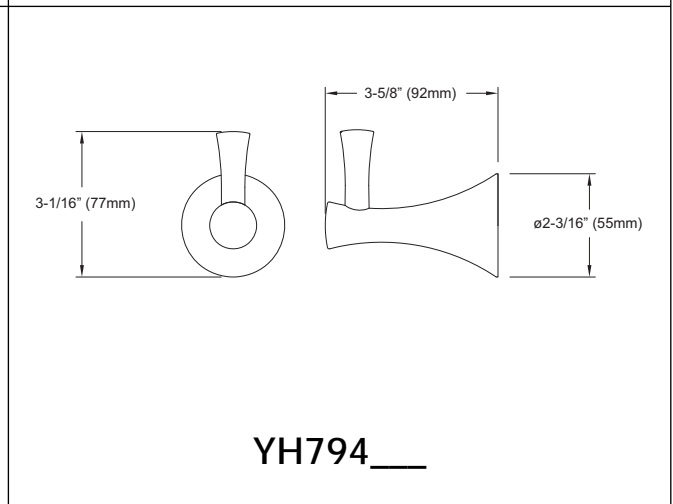
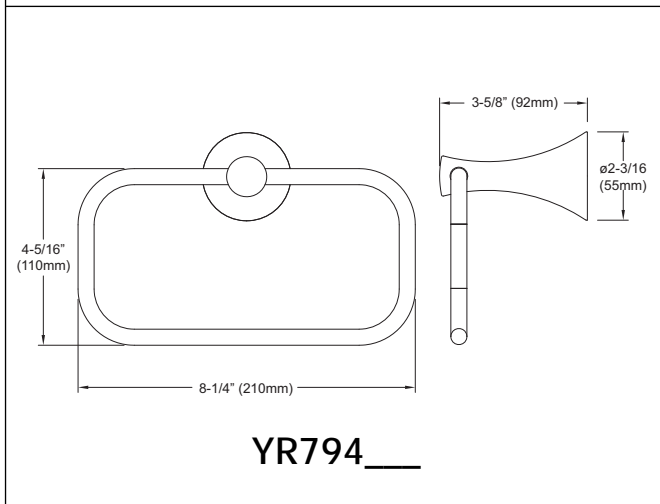
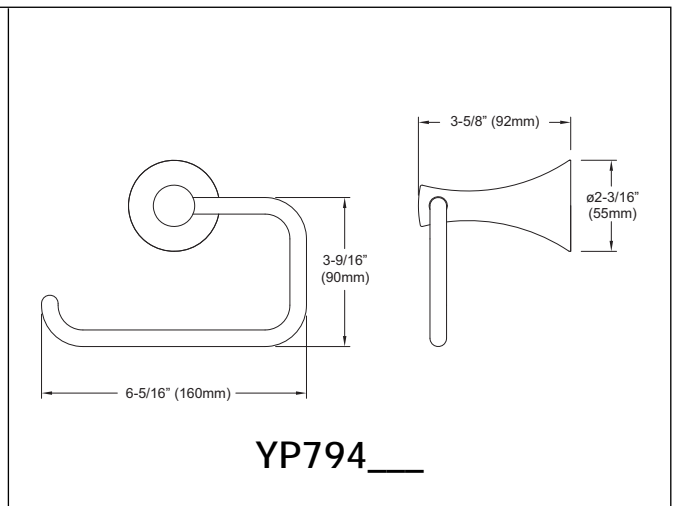
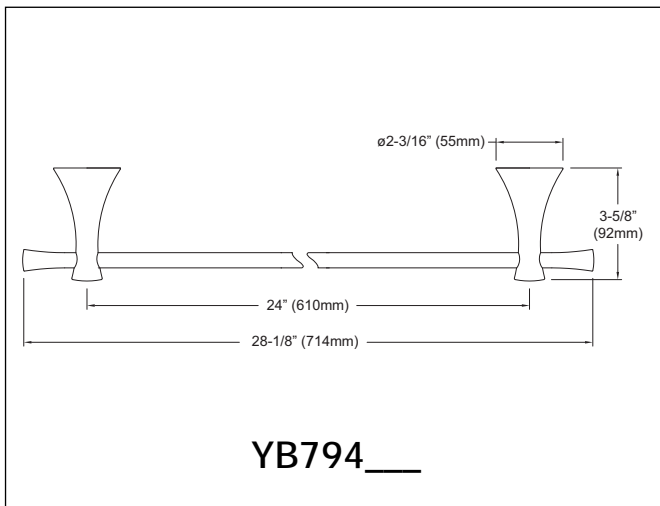
Y_794 Series

Nexus® Bath Accessories

SPECIFICATIONS

- Warranty: Lifetime Limited Warranty (Residential Use)
One Year (Commercial Use)
- Material: Brass

| Product Number | Shipping Weight | Shipping Dimensions |
|----------------|-----------------|---------------------------------|
| YB794 | 2.5 lbs. | 30" L x 5-1/4" W x 3-1/8" D |
| YP794 | 0.8 lbs. | 8-1/2" L x 7-1/2" W x 4-1/4" D |
| YR794 | 1.1 lbs. | 10-3/4" L x 9-1/2" W x 4-1/8" D |
| YH794 | 0.4 lbs. | 6-1/4" L x 5" W x 3" D |



TOTO

These dimensions and specifications are subject to change without notice