

Drake® WASHLET®+ C2 Two-Piece Toilet - 1.6 GPF, 10" Rough-In

FEATURES

- Concealed supply connection for seamless installation
- TORNADO FLUSH® system, (1.6 GPF/6.0 LPF)
- CEFIONTECT® ceramic glaze minimizes waste from sticking to porous ceramic surfaces.
- 10" Rough-in, supply line sold separately
- Universal Height
- Chrome plated trip lever
- Elongated front bowl and WASHLET+ C2 and tank set
- EWATER+® auto-cleans wand
- On-demand remote function cleans wand with EWATER+
- PREMIST® of bowl before each use
- Convenient arm control panel



MODELS

- MW7763074CSFG.10 (#01)
With CEFIONTECT ceramic glaze, WASHLET+ C2
- C776CEFGT40.10
Elongated bowl with CEFIONTECT
- ST776SA
Tank and cover only
- SW3074T40
WASHLET+ C2

OPTIONAL COMPONENTS

- THU808(#01, #03, #11, #12, #51, #PN, #BN, #RB)-A
Trip Lever - Cotton, Bone, Colonial White, Sedona Beige, Ebony, Polished Nickel, Brushed Nickel, Oil Rubbed Bronze)

COLORS/FINISHES

- #01 Cotton



TORNADO FLUSH



EWATER+



CEFIONTECT



UNIVERSAL HEIGHT

PRODUCT SPECIFICATION

The two-piece TORNADO FLUSH toilet shall be 1.6 GPF/6.0 LPF. Universal Height Toilet with CEFIONTECT glaze finish. Toilet shall be 10" rough-in, elongated front bowl and chrome trip lever. Toilet shall be TOTO Model MW7763074CSFG.10#01.

See TOTO Specification sheet SW3074T40 for details on required WASHLET.

CODES/STANDARDS

- Meets and exceeds ASME A112.19.2/CSA B45.1
- Certifications: IAPMO(cUPC®)
- Code Compliance: UPC, IPC, NSPC, NPC Canada, and others
- ADA compliant (when installed with trip lever located on the approach side)



MW7763074CSFG.10

Drake® WASHLET®+ C2 Two-Piece Toilet - 1.6 GPF, 10" Rough-In

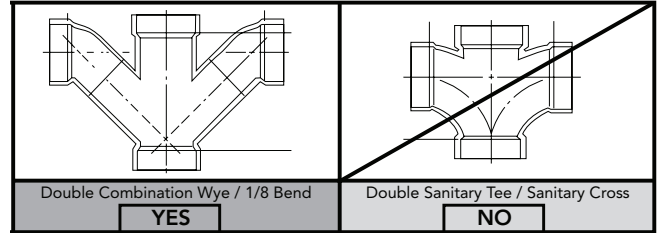
SPECIFICATIONS

Water Use	1.6 GPF (6.0 LPF)
Flush System	TORNADO FLUSH®
Min. Water Pressure	8 psi (Flowing)
Water Surface	9" x 6-7/8"
Trap Diameter	2-1/8"
Rough-in	10"
Trap Seal	2-1/8"
Warranty	One Year Limited Warranty
Material	Vitreous China
Shipping Weight	C776CEFGT40.10 62 lbs. ST776SA 32 lbs.
Shipping Dimensions	C776CEFGT40.10 30-1/8" L x 15-1/4" W1 x 10-7/8" W2 x 17-3/4" H ST776SA 18-3/4" L x 8-7/8" W x 16-1/4" H

See SW3074T40 Specification Sheet for details on included WASHLET.

INSTALLATION NOTES

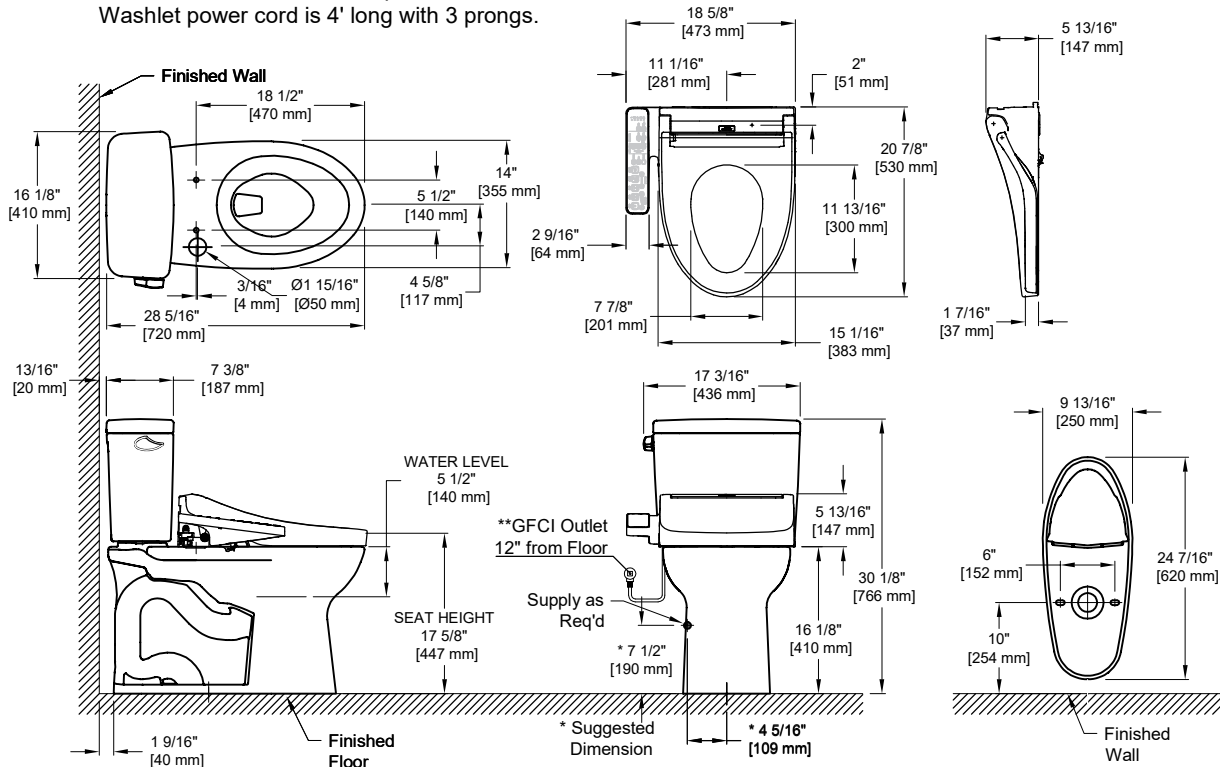
Back-to-Back Toilet Installations:
TOTO recommends the use of a nationally listed, double sanitary tee-wye only, in vertical waste stacks, in accordance with the stipulations noted in the majority of nationally recognized plumbing codes.



To maintain adequate wall gap between the back of the tank and wall, mount the floor flange at a nominal 10" rough-in distance.

DIMENSIONS

**GFCI outlet of 120V, 10amps.
Washlet power cord is 4' long with 3 prongs.



TOTO®

These dimensions and specifications are subject to change without notice