

# TOTO®

# CWT4494049CMFGA#MS

## SP WASHLET®+ SX Wall-Hung Toilet, 1.28GPF & 0.9GPF

### FEATURES

#### **SP Bowl**

- DYNAMAX TORNADO FLUSH® system, high efficiency (1.28GPF/0.9GPF)
- CEFIONTECT® ceramic glaze - prevents debris, mold from sticking to ceramic surfaces
- Universal Height

#### **WASHLET+ SX**

- Concealed supply connection for seamless installation
- Gentle aerated, warm water, dual action spray with adjustable pressure and oscillating pulsating features
- Adjustable variable temperature for spray, seat, and dryer
- Water PREMIST of bowl before each use
- Automatic air deodorizer
- Convenient slim wireless remote, with illuminated touch pad
- Auto Flush

#### **DuoFit In-Wall Tank**

- Dual flushing system, high-efficiency (1.28 GPF/4.8 LPF & 0.9 GPF/3.4 LPF) Avg. flush 1.1 GPF
- Adjustable 15" -19" mounting height
- Saves up to 9" of floor space compared to standard floor-mounted toilet
- Supports up to 880lbs
- Commercial 2" x 6" or optional residential installation with 2" x 4" wall studs with waste outlet kit

### KIT COMPONENTS

- CT449CFGT60#01  
SP Wall-Hung Toilet
- SW4049AT60#01  
WASHLET+ SX
- WT173MA  
In-Wall Tank System (1.28 GPF/0.9 GPF)
- YT920#MS  
Matte Silver Basic Square Push Plate

#### **Available Options**

- YT920#WH - White Matte Basic Square Push Plate
- YT930#WH - White Matte Basic Round Push Plate
- YT930#MS - Matte Silver Basic Round Push Plate
- YT970#SS - Stainless Steel Wall Square Push Plate
- YT980#SS - Stainless Steel Wall Round Push Plate

### COLORS/FINISHES

- Standard  
#01 Cotton



 **DYNAMAX  
TORNADO FLUSH**

 **CEFIONTECT**

 **Auto Flush**

### PRODUCT SPECIFICATION

The two-piece high efficiency DYNAMAX TORNADO FLUSH system toilet shall be 1.0 GPF/3.8 LPF. Toilet shall have high profile tank, elongated front bowl and chrome trip lever. Toilet shall be universal height CST449CFG model shall have CEFIONTECT ceramic glaze. Toilet shall be TOTO Model CST449CFG\_\_\_\_\_.

### CODES/STANDARDS

- Meets and exceeds ASME A112.19.2/CSA B45.1
- Certifications: IAPMO (cUPC), EPA WaterSense, State of Massachusetts, City of Los Angeles, and others
- Code Compliance: UPC, IPC, NSPC, NPC Canada, and others
- Legislative Compliance: California AB715, California Green Building Code, City of Los Angeles Water Efficiency Ordinance
- ADA compliant



# CWT4494049CMFGA#MS

## SP WASHLET®+ SX Wall-Hung Toilet, 1.28GPF & 0.9GPF

### SPECIFICATIONS & INSTALLATION NOTES

	SW4049AT60
<b>Power Rating</b>	AC 120V-60Hz, 406W
<b>Power Cord</b>	2.95 ft/120 cm Length 3 Prong Grounded Plug
<b>Water Feature (Flow Rates)</b>	Front: 9.8-14.5 oz/min
	Rear: 9.1-14.5 oz/min
	Front: 9.8-14.5 oz/min
	Soft Rear: 9.8-14.5 oz min
<b>Washing Spray Temp.</b>	Min: 86°F/30°C Max: 104°F/40°C
<b>Safety Device</b>	Thermal Fuse
<b>Air Dryer Temp.</b>	Min: About 140°F/60°C Max: About 86°F/30°C
<b>Dryer Air Capacity</b>	9.53 ft <sup>3</sup> /min
<b>Seat Warming Temp.</b>	Min: 82°F/28°C Max: 97°F/36°C
<b>Water Supply Pressure</b>	Min: 7.25 psi Max: 108.75 psi
<b>Ambient Temp.</b>	Min: 32°F/0°C Max: 104°F/40°C
<b>Warranty</b>	One Year Limited Warranty
<b>Shipping Weight</b>	18 lbs.
<b>Shipping Dimensions</b>	26" L x 17" W x 9-3/4" H

	CT449FGT60	WT173MA
<b>Water Use</b>	1.28 GPF & 0.9 GPF (4.8 LPF & 3.4 LPF)	1.28 GPF & 0.9 GPF (4.8 LPF & 3.4 LPF)
<b>Flush System</b>	DYNAMAX TORNADO FLUSH®	Dual-Max®
<b>Min. Water Pressure</b>	8 psi (static)	8 psi (static)
<b>Water Surface</b>	5-1/2" X 4-1/8"	
<b>Trap Diameter</b>	2-1/8"	
<b>Installation Height</b>	15" to 19"	15" to 19"
<b>Trap Seal</b>	2-1/8"	
<b>Warranty</b>	One Year Limited Warranty	One Year Limited Warranty
<b>Material</b>	Vitreous China	Various
<b>Shipping Weight</b>	68 lbs.	43 lbs
<b>Shipping Dimensions</b>	22" x 14.6" x 16.5"	47-1/2" x 26" x 6"

### RX WASHLET

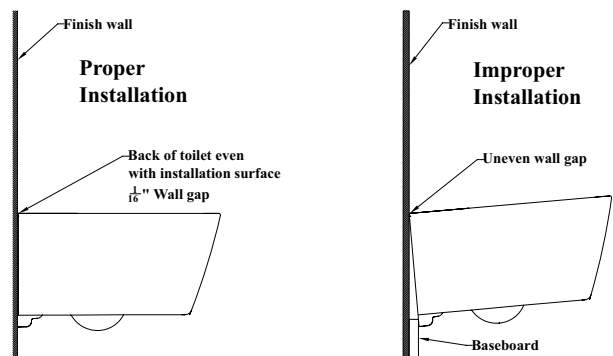
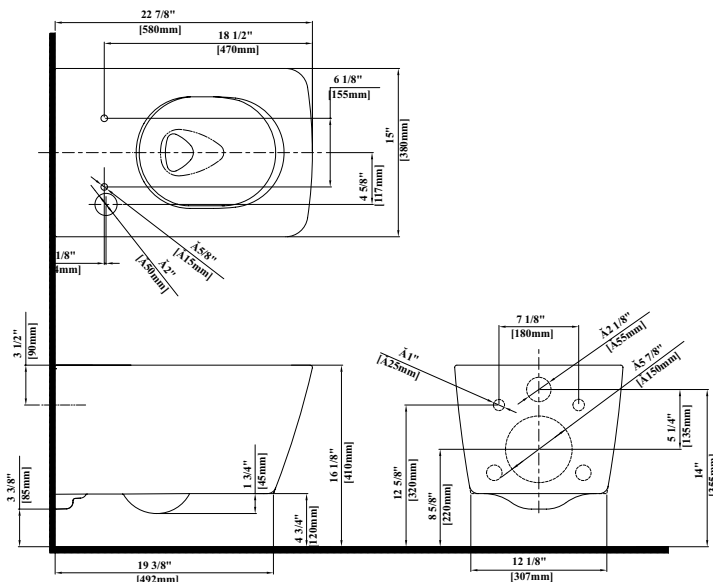
- WASHLET SX may not fit certain toilet bowl designs
- If possible, with your order, please include your model number (from the underside of the tank lid)
- It is highly recommended to use a surge protector to prevent damage in the event of a power surge

### DuoFit In-Wall Tank

- Adequate structural bracing is required

### DIMENSIONS

#### CT447CFG60

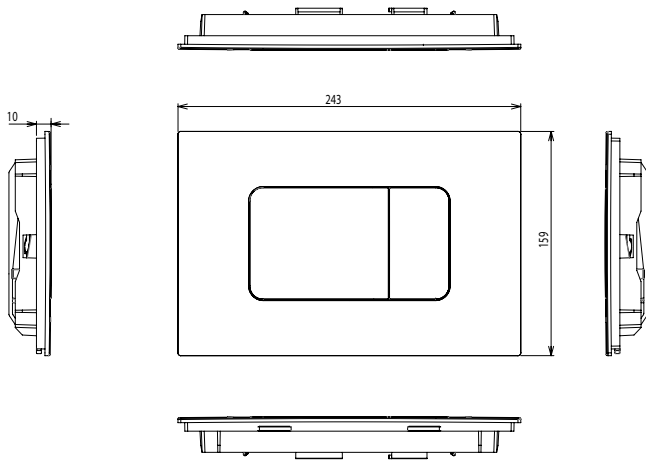


# CWT4494049CMFGA#MS

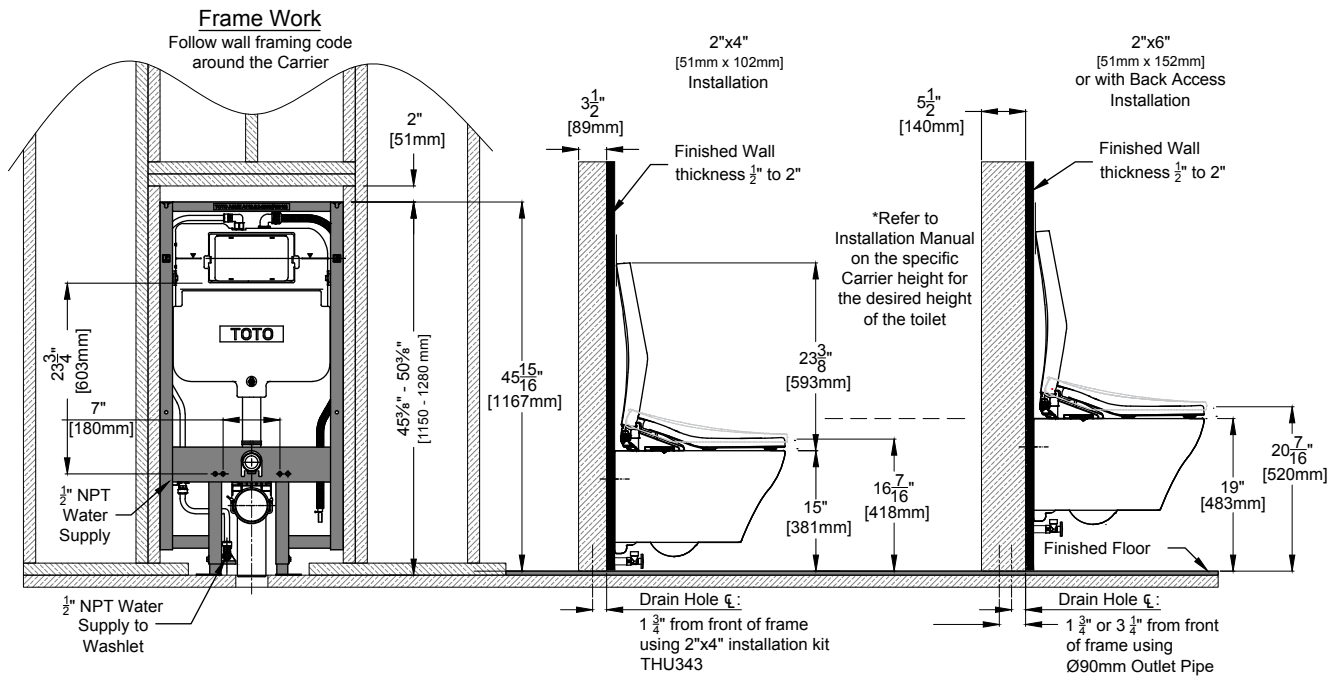
## SP WASHLET®+ SX Wall-Hung Toilet, 1.28GPF & 0.9GPF

### DIMENSIONS

#### YT920



#### WT173MA



**TOTO**

These dimensions and specifications are subject to change without notice